

SRI LANKA STANDARD 1345 : 2008
ISO 4664-1 : 2005

**METHOD FOR THE DETERMINATION OF
DYNAMIC PROPERTIES OF RUBBER,
VULCANIZED OR THERMOPLASTIC
PART 1: GENERAL GUIDANCE**

SRI LANKA STANDARDS INSTITUTION

Sri Lanka Standard
METHOD FOR THE DETERMINATION OF
DYNAMIC PROPERTIES OF RUBBER, VULCANIZED OR THERMOPLASTIC
PART 1: GENERAL GUIDANCE

SLS 1345-1 : 2008
ISO 4664-1 : 2005

Gr. M

SRI LANKA STANDARDS INSTITUTION
17, Victoria Place
Elvitigala Mawatha
Colombo - 08
Sri Lanka.

Sri Lanka Standards are subject to periodical revision in order to accommodate the progress made by industry. Suggestions for improvement will be recorded and brought to the notice of the Committees to which the revisions are entrusted.

This standard does not purport to include all the necessary provisions of a contract.

© SLSI 2008

All rights reserved. Unless otherwise specified, no part of this publication may be reproduced or utilized in any form or by any means, electronic or mechanical, including photocopying and microfilm, without permission in writing from the SLSI.

Sri Lanka Standard
METHOD FOR THE DETERMINATION OF
DYNAMIC PROPERTIES OF RUBBER, VULCANIZED OR THERMOPLASTIC
PART 1: GENERAL GUIDANCE

NATIONAL FOREWORD

This Sri Lanka Standard was approved by the Sectoral Committee on Chemical and Polymer Technology and authorized for adoption and publication by the Council of the Sri Lanka Standards Institution on 2008-07-29.

This standard is identical with ISO 4664-1:2005 Rubber, vulcanized or thermoplastic-Determination of dynamic properties – Part 1 : General guidance published by International Organization for Standardization.

TERMINOLOGY AND CONVENTIONS

The text of the International Standard has been accepted as suitable for publication without deviation, as a Sri Lanka Standard. However certain terminology and conventions are not identical with those used in Sri Lanka Standards. Attention is therefore drawn to the following:

- a) Wherever the words ‘International Standard/publication’ appear referring to a particular standard, they should be interpreted as “Sri Lanka Standard”.
- b) The comma has been used throughout as a decimal marker. In Sri Lanka Standards it is the current practice to use the full point on the baseline as the decimal marker.
- c) Whenever page numbers are quoted, they are ISO page numbers.

CROSS REFERENCES

International Standard

Corresponding Sri Lanka Standard

ISO 815 Rubber, vulcanized or thermoplastic-Determination of compression set at ambient, elevated or low temperatures

No Corresponding Sri Lanka Standards

ISO 4663 Rubber- Determination of dynamic behaviour of vulcanizates at low frequencies-Torsion pendulum method

No Corresponding Sri Lanka Standards

ISO 5893 Rubber and plastics test equipment- Tensile, flexural and compression types(constant rate of transverse)- Specification

No Corresponding Sri Lanka Standards

ISO 7743 Rubber, vulcanized or thermoplastic-Determination of compression stress-strain properties.

No Corresponding Sri Lanka Standards

ISO 23529 Rubber-general procedure for preparing and conditioning test pieces for physical test methods

No Corresponding Sri Lanka Standards

INTERNATIONAL STANDARD

ISO
4664-1

First edition
2005-02-15

Rubber, vulcanized or thermoplastic — Determination of dynamic properties —

Part 1: General guidance

*Caoutchouc vulcanisé ou thermoplastique — Détermination des
propriétés dynamiques —*

Partie 1: Lignes directrices



Reference number
ISO 4664-1:2005(E)

PDF disclaimer

This PDF file may contain embedded typefaces. In accordance with Adobe's licensing policy, this file may be printed or viewed but shall not be edited unless the typefaces which are embedded are licensed to and installed on the computer performing the editing. In downloading this file, parties accept therein the responsibility of not infringing Adobe's licensing policy. The ISO Central Secretariat accepts no liability in this area.

Adobe is a trademark of Adobe Systems Incorporated.

Details of the software products used to create this PDF file can be found in the General Info relative to the file; the PDF-creation parameters were optimized for printing. Every care has been taken to ensure that the file is suitable for use by ISO member bodies. In the unlikely event that a problem relating to it is found, please inform the Central Secretariat at the address given below.

© ISO 2005

All rights reserved. Unless otherwise specified, no part of this publication may be reproduced or utilized in any form or by any means, electronic or mechanical, including photocopying and microfilm, without permission in writing from either ISO at the address below or ISO's member body in the country of the requester.

ISO copyright office
Case postale 56 • CH-1211 Geneva 20
Tel. + 41 22 749 01 11
Fax + 41 22 749 09 47
E-mail copyright@iso.org
Web www.iso.org

Published in Switzerland

Contents

Page

Foreword.....	iv
1 Scope.....	1
2 Normative references	1
3 Terms and definitions.....	1
4 Symbols	7
5 Principles	9
6 Apparatus.....	14
7 Calibration.....	16
8 Test conditions and test pieces	16
9 Conditioning	20
10 Test procedure	21
11 Expression of results.....	21
12 Test report.....	24

Foreword

ISO (the International Organization for Standardization) is a worldwide federation of national standards bodies (ISO member bodies). The work of preparing International Standards is normally carried out through ISO technical committees. Each member body interested in a subject for which a technical committee has been established has the right to be represented on that committee. International organizations, governmental and non-governmental, in liaison with ISO, also take part in the work. ISO collaborates closely with the International Electrotechnical Commission (IEC) on all matters of electrotechnical standardization.

International Standards are drafted in accordance with the rules given in the ISO/IEC Directives, Part 2.

The main task of technical committees is to prepare International Standards. Draft International Standards adopted by the technical committees are circulated to the member bodies for voting. Publication as an International Standard requires approval by at least 75 % of the member bodies casting a vote.

Attention is drawn to the possibility that some of the elements of this document may be the subject of patent rights. ISO shall not be held responsible for identifying any or all such patent rights.

This part of ISO 4664 was prepared by Technical Committee ISO/TC 45, *Rubber and rubber products*, Subcommittee SC 2, *Testing and analysis*.

It cancels and replaces ISO 4664:1998, which has been technically revised.

ISO 4664 consists of the following parts, under the general title *Rubber, vulcanized or thermoplastic — Determination of dynamic properties*:

- *Part 1: General guidance*
- *Part 2: Torsion pendulum method at low frequencies*

Rubber, vulcanized or thermoplastic — Determination of dynamic properties —

Part 1: General guidance

WARNING — Persons using this part of ISO 4664 should be familiar with normal laboratory practice. This part of ISO 4664 does not purport to address all of the safety problems, if any, associated with its use. It is the responsibility of the user to establish appropriate safety and health practices and to ensure compliance with any national regulatory conditions.

1 Scope

This part of ISO 4664 provides guidance on the determination of dynamic properties of vulcanized and thermoplastic rubbers. It includes both free- and forced-vibration methods carried out on both materials and products. It does not cover rebound resilience or cyclic tests in which the main objective is to fatigue the rubber.

2 Normative references

The following referenced documents are indispensable for the application of this document. For dated references, only the edition cited applies. For undated references, the latest edition of the referenced document (including any amendments) applies.

ISO 815, *Rubber, vulcanized or thermoplastic — Determination of compression set at ambient, elevated or low temperatures*

ISO 4663, *Rubber — Determination of dynamic behaviour of vulcanizates at low frequencies — Torsion pendulum method*

ISO 5893, *Rubber and plastics test equipment — Tensile, flexural and compression types (constant rate of traverse) — Specification*

ISO 7743:2004, *Rubber, vulcanized or thermoplastic — Determination of compression stress-strain properties*

ISO 23529, *Rubber — General procedures for preparing and conditioning test pieces for physical test methods*

3 Terms and definitions

For the purposes of this document, the following terms and definitions apply.

3.1 Terms applying to any periodic deformation

3.1.1

mechanical hysteresis loop

closed curve representing successive stress-strain states of a material during a cyclic deformation

NOTE Loops may be centred around the origin of co-ordinates or more frequently displaced to various levels of strain or stress; in this case the shape of the loop becomes variously asymmetrical in more than one way, but this fact is frequently ignored.

**3.1.2
energy loss**

energy per unit volume which is lost in each deformation cycle, the hysteresis loop area, calculated with reference to coordinate scales

NOTE It is expressed in J/m^3 .

**3.1.3
power loss**

power per unit volume in each deformation cycle which is transformed into heat through hysteresis, expressed as the product of energy loss and frequency

NOTE It is expressed in W/m^3 .

**3.1.4
mean load**

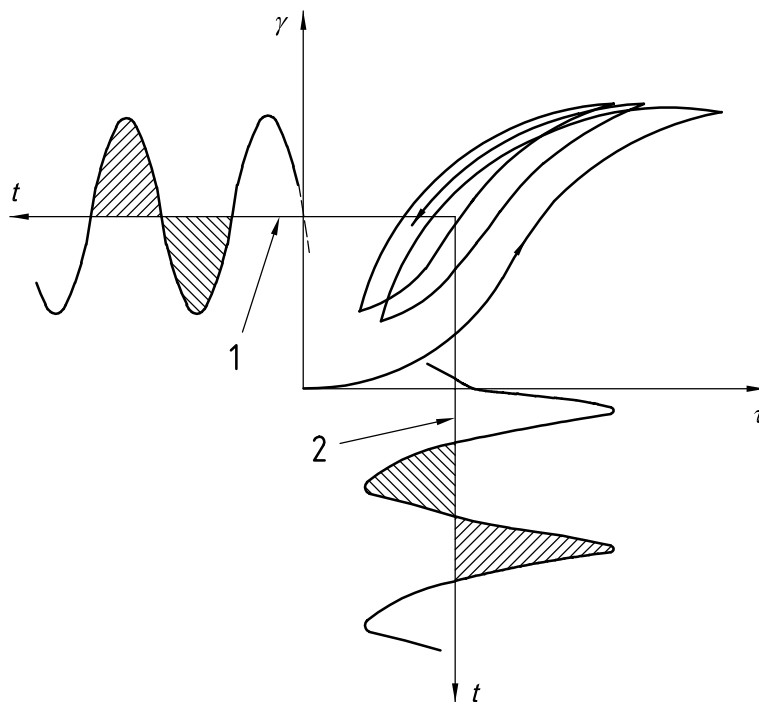
average value of the load during a single complete hysteresis loop

NOTE It is expressed in N.

**3.1.5
mean deflection**

average value of the deflection during a single complete hysteresis loop (see Figure 1)

NOTE It is expressed in m.



Key

- 1 mean strain
- 2 mean stress

NOTE 1 Open initial loops are shown, as well as equilibrium mean strain and mean stress as time-averages of instantaneous strain and stress.

NOTE 2 A sinusoidal response to a sinusoidal motion implies hysteresis loops which are or can be considered to be elliptical. The term “incremental” may be used to designate dynamic response to sinusoidal deformation about various levels of mean stress or mean strain (for example, incremental spring constant, incremental elastic shear modulus).

Figure 1 — Heavily distorted hysteresis loop obtained under forced pulsating sinusoidal strain

3.1.6

mean stress

average value of the stress during a single complete hysteresis loop (see Figure 1)

NOTE It is expressed in Pa.

3.1.7

mean strain

average value of the strain during a single complete hysteresis loop (see Figure 1)

3.1.8

mean modulus

ratio of the mean stress to the mean strain

NOTE It is expressed in Pa.

3.1.9

maximum load amplitude

F_0

ratio of the maximum applied load, measured from the mean load (zero to peak on one side only)

NOTE It is expressed in N.

3.1.10

maximum stress amplitude

τ_0

ratio of the maximum applied force, measured from the mean force, to the cross-sectional area of the unstressed test piece (zero to peak on one side only)

NOTE It is expressed in Pa.

3.1.11

root-mean-square stress

square root of the mean value of the square of the stress averaged over one cycle of deformation

NOTE 1 For a symmetrical sinusoidal stress the root-mean-square stress equals the stress amplitude divided by $\sqrt{2}$.

NOTE 2 It is expressed in Pa.

3.1.12

maximum deflection amplitude

x_0

ratio of the maximum deflection, measured from the mean deflection (zero to peak on one side only)

NOTE It is expressed in m.

3.1.13

maximum strain amplitude

γ_0

ratio of the maximum strain, measured from the mean strain (zero to peak on one side only)

3.1.14

root-mean-square strain

square root of the mean value of the square of the strain averaged over one cycle of deformation

NOTE For a symmetrical sinusoidal strain, the root-mean-square strain equals the strain amplitude divided by $\sqrt{2}$.

3.2 Terms applying to sinusoidal motion

3.2.1

spring constant

K

component of the applied load which is in phase with the deflection, divided by the deflection

NOTE It is expressed in N/m.

3.2.2

elastic shear modulus storage shear modulus

G'

component of the applied shear stress which is in phase with the shear strain, divided by the strain

$$G' = |G^*| \cos \delta$$

NOTE It is expressed in Pa.

3.2.3

loss shear modulus

G''

component of the applied shear stress which is in quadrature with the shear strain, divided by the strain

$$G'' = |G^*| \sin \delta$$

NOTE It is expressed in Pa.

3.2.4

complex shear modulus

G^*

ratio of the shear stress to the shear strain, where each is a vector which can be represented by a complex number

$$G^* = G' + iG''$$

NOTE It is expressed in Pa.

3.2.5

absolute complex shear modulus

$|G^*|$

absolute value of the complex shear modulus

$$|G^*| = \sqrt{G'^2 + G''^2}$$

NOTE It is expressed in Pa.

3.2.6

elastic normal modulus storage normal modulus elastic Young's modulus

E'

component of the applied normal stress which is in phase with the normal strain, divided by the strain

$$E' = |E^*| \cos \delta$$

NOTE It is expressed in Pa.

3.2.7
loss normal modulus
loss Young's modulus
 E''

component of the applied normal stress which is in quadrature with the normal strain, divided by the strain

$$E'' = |E^*| \sin \delta$$

NOTE It is expressed in Pa.

3.2.8
complex normal modulus
complex Young's modulus
 E^*

ratio of the normal stress to the normal strain, where each is a vector which can be represented by a complex number

$$E^* = E' + iE''$$

NOTE It is expressed in Pa.

3.2.9
absolute normal modulus
 absolute value of the complex normal modulus

$$|E^*| = \sqrt{E'^2 + E''^2}$$

3.2.10
storage spring constant
dynamic spring constant
 K'

$$K' = |K^*| \cos \delta$$

NOTE It is expressed in N/m.

3.2.11
loss spring constant
 K''

component of the applied load which is in quadrature with the deflection, divided by the deflection

$$K'' = |K^*| \sin \delta$$

NOTE It is expressed in N/m.

3.2.12
complex spring constant
 K^*

ratio of the load to the deflection, where each is a vector which can be represented by a complex number

$$K^* = K' + iK''$$

NOTE It is expressed in N/m.

3.2.13**absolute complex spring constant** $|K^*|$

absolute value of the complex spring constant

$$|K^*| = \sqrt{K'^2 + K''^2}$$

NOTE It is expressed in N/m.

3.2.14**tangent of the loss angle** $\tan \delta$

ratio of the loss modulus to the elastic modulus

NOTE For shear stresses, $\tan \delta = \frac{G''}{G'}$ and for normal stresses $\tan \delta = \frac{E''}{E'}$.**3.2.15****loss factor** L_f

ratio of the loss spring constant to the storage spring constant

$$L_f = \frac{K''}{K'}$$

3.2.16**loss angle** δ

phase angle between the stress and the strain, the tangent of which is the tangent of the loss angle

NOTE It is expressed in rad.

3.3 Other terms applying to periodic motion**3.3.1****logarithmic decrement**

natural (Napierian) logarithm of the ratio between successive amplitudes of the same sign of a damped oscillation

3.3.2**damping ratio** u

ratio of actual to critical damping, where critical damping is that required for the borderline condition between oscillatory and non-oscillatory behaviour

NOTE 1 The damping ratio is a function of the logarithmic decrement:

$$u = \frac{\frac{\Delta}{2\pi}}{\sqrt{1 + \left(\frac{\Delta}{2\pi}\right)^2}} = \sin \tan^{-1} \left(\frac{\Delta}{2\pi} \right)$$

NOTE 2 For large sinusoidal deformations, the hysteresis loop will deviate from an ellipse since the stress-strain relationship of rubber is non-linear and the response is no longer sinusoidal (see Figure 1).

**3.3.3
 damping coefficient
 damping constant**

C

$$C = \frac{1}{\omega} |K^*| \sin \delta$$

where $\omega = 2\pi f$

NOTE It is expressed in N-s/m.

**3.3.4
 transmissibility**

V_T

$$V_T = \frac{\sqrt{1 + (\tan \delta)^2}}{\sqrt{\left[1 - \left(\frac{\omega}{\omega_n}\right)^2\right]^2 + (\tan \delta)^2}}$$

where ω_n is the natural angular frequency of the undamped vibrator, given by

$$\omega_n = \sqrt{\frac{K'}{m}}$$

and

$$K' = |K^*| \cos \delta$$

4 Symbols

For the purposes of this document, the following symbols apply:

A	(m ²)	test piece cross-sectional area
$a(T)$		Williams, Landel, Ferry (WLF) shift factor
α	(rad)	angle of twist
b	(m)	test piece width
C		damping coefficient (damping constant)
C_p		heat capacity
γ		strain
γ_0		maximum strain amplitude
δ	(rad)	loss angle
E	(Pa)	Young's modulus
E_c	(Pa)	effective Young's modulus

E'	(Pa)	elastic normal modulus (storage normal modulus)
E''	(Pa)	loss normal modulus
E^*	(Pa)	complex normal modulus (complex Young's modulus)
$ E^* $	(Pa)	absolute value of complex normal modulus
F	(N)	load
f	(Hz)	frequency
G	(Pa)	shear modulus
G'	(Pa)	elastic shear modulus (storage shear modulus)
G''	(Pa)	loss shear modulus
G^*	(Pa)	complex shear modulus
$ G^* $	(Pa)	absolute value of complex shear modulus
h	(m)	test piece thickness
K	(N/m)	spring constant
K'	(N/m)	storage spring constant (dynamic spring constant)
K''	(N/m)	loss spring constant
K^*	(N/m)	complex spring constant
$ K^* $	(N/m)	absolute value of complex spring constant
k		numerical factor
k_l		shape factor in torsion
L_f		loss factor
l	(m)	test piece length
λ		extension ratio
Λ		logarithmic decrement
M'	(Pa)	in phase or storage modulus
M''	(Pa)	loss modulus
M^*	(Pa)	complex modulus
$ M^* $	(Pa)	absolute value of complex modulus
m	(kg)	mass
ρ	(kg/m ³)	rubber density

Q	(N·m)	torque
S		shape factor
T	(K)	temperature (in kelvins)
T_g	(K)	low-frequency glass transition temperature
T_0	(K)	reference temperature
t	(s)	time
$\tan \delta$		tangent of the loss angle
τ	(Pa)	stress
τ_0	(Pa)	maximum stress amplitude
τ'	(Pa)	in-phase stress
τ''	(Pa)	out-of-phase stress
u		damping ratio
V_τ		transmissibility
ω	(rad/s)	angular frequency
x	(m)	deflection
x_0	(m)	maximum deflection amplitude

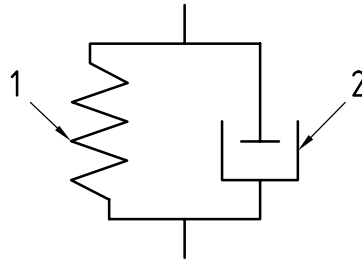
5 Principles

5.1 Viscoelasticity

Matter cannot be deformed without applying force. Unlike elastic materials such as metals, rubber is a viscoelastic material, i.e. it shows both an elastic response and a viscous drag when deformed. Viscoelastic properties have been modelled as combinations of perfectly elastic springs and viscous dampers (dashpots), disposed in parallel (Voigt-Kelvin model) or in series (Maxwell model), giving a qualitative model of the time-dependent behaviour of rubber-like materials.

NOTE For the use of more elaborate models to describe the behaviour accurately, see *Viscoelastic Properties of Polymers*, by J. D. Ferry, published by John Wiley and Sons, 1983.

The dynamic properties of viscoelastic materials can be explained more conveniently by separating the two components elasticity (spring) and viscosity (damping), for example as in Figure 2. Analysis of the behaviour of this model, under a cyclic load or stress, shows that the resulting deformation lags in time behind the applied load or stress (i.e. shows a phase difference) (see 5.5). The dynamic properties of rubber can be thought of as physical properties quantitatively expressing the relationship of these inputs and responses.



Key

- 1 elasticity
- 2 viscosity

Figure 2 — A dynamic model for rubber (Voigt-Kelvin model)

5.2 Use of dynamic test data

Measurements of dynamic properties are generally used for the following purposes:

- a) characterization of materials;
- b) production of design data;
- c) evaluation of products.

Viscoelastic behaviour of polymers is complex and the results can be very sensitive to test conditions such as frequency, amplitude of the applied force or deformation, test piece geometry and mode of deformation, so these conditions must be controlled carefully if comparable results are to be obtained.

An important consequence is that it is essential that the conditions under which data are produced are suitable for the intended purpose of the data. In turn, this can mean that different types of test machine can produce test data suitable for different purposes. For instance, small dynamic analyser machines are especially suitable for material characterization, but may not have sufficient capacity for generating design data or measuring product performance.

5.3 Classification of dynamic tests

There are numerous types of dynamic test apparatus in use and several ways in which they can be classified:

a) Classification by type of vibration

There are two basic classes of dynamic test, i.e. free vibration in which the test piece is set in oscillation and the amplitude allowed to decay due to damping in the system, and forced vibration in which the oscillation is maintained by external means. There are two types of test method using forced vibration, i.e. resonance type and non-resonance type.

b) Classification by type of test apparatus

Forced-vibration machines can be conveniently divided into small-sized and large-sized test apparatuses (see Table 1). Although the division is somewhat arbitrary, there is seldom difficulty in assigning particular machines to one of these categories.

Other pieces of apparatus, such as the torsion pendulum, are usually dealt with individually.

Table 1 — Classification of dynamic tests

	Small-sized test apparatus	Large-sized test apparatus
Purpose of test	Comparison and evaluation of material properties	Comparison and evaluation of design and product performance
Vibration method	Forced-vibration non-resonance method Forced-vibration resonance method Free-vibration method	Forced-vibration non-resonance method
Deformation mode	Tension, bending, compression and shear	Compression, tension, torsion and shear
Test piece shapes	Rectangular strip, cylinder, rectangular prism	Cylinder, rectangular prism, cone, product

c) Classification by mode of deformation

The deformation method can involve compression, shear, tension, bending or torsion of the test piece.

5.4 Factors affecting machine selection

The advantages and disadvantages of the various types of dynamic test machine can be summarized as follows:

- a) Deformation in shear generally allows the most precise definition of strain and the stress-strain curve is linear to higher amplitudes than for other deformation modes, but the test pieces have to be fabricated with metal end pieces.
- b) Deformation in compression can be useful in matching service conditions, particularly with products, but generally requires a higher force capacity and consideration of the shape factor of the test piece.
- c) Deformation in bending, torsion or tension requires a lower force capacity and test pieces are easily produced, but it may be less satisfactory for measurements of absolute values of the modulus.
- d) The preferred type of test machine for generating design data is a forced-vibration non-resonance machine operating in shear.
- e) A large force capacity, and hence an expensive machine, is necessary for higher strain amplitudes in shear and compression and for testing products.
- f) For material characterization, the mode of deformation is not, in principle, important and a large force capacity is not necessary.
- g) Dynamic analysers of modest capacity but having automated scanning of frequency and temperature are particularly efficient for material characterization.
- h) Free-vibration apparatus is restricted to low frequencies and amplitudes, normally in torsion.
- i) Testing at resonance is generally restricted to bending and does not allow the effects of amplitude and frequency to be measured.

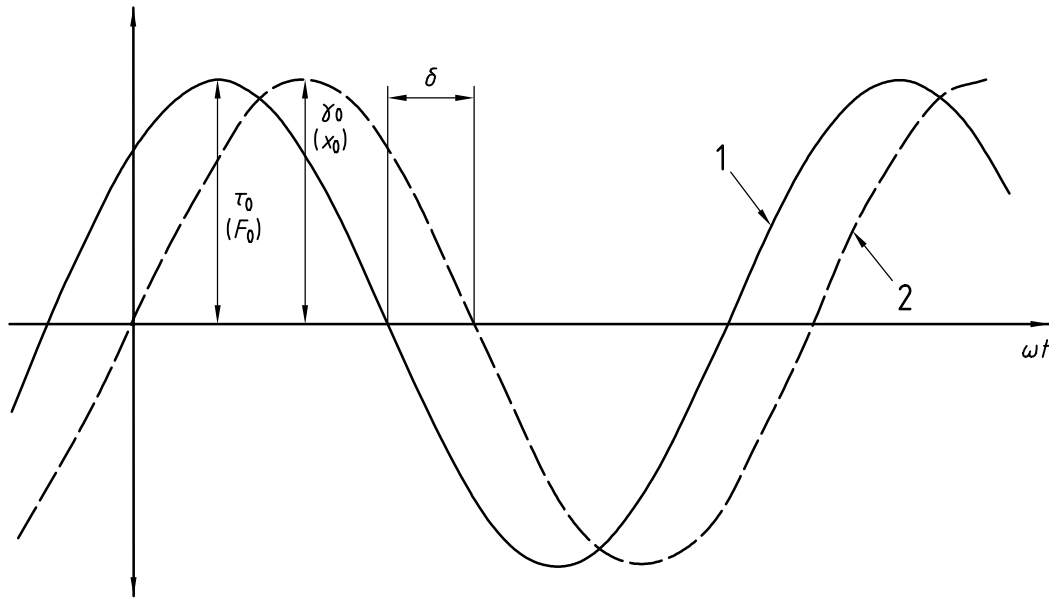
5.5 Dynamic motion

5.5.1 Forced-vibration method

Rubbers are viscoelastic materials and hence their response to dynamic stressing is a combination of an elastic response and a viscous response and energy is lost in each cycle.

For sinusoidal strain, the motion is described by

$$\gamma = \gamma_0 \sin \omega t \quad (\text{see Figure 3}) \quad (1)$$



Key

- 1 stress (load)
- 2 strain (deflection)

Figure 3 — Sinusoidal stress-strain time cycle

The stress τ will not be in phase with the strain and can be considered to precede it by the phase angle δ so that:

$$\tau = \tau_0 \sin(\omega t + \delta) \quad (2)$$

Considering the stress as a vector having two components, one in phase (τ') and the other 90° out of phase (τ''), and defining the corresponding in-phase modulus as M' and the corresponding out-of-phase modulus as M'' , the complex modulus (M^*) is given by the following equation:

$$M^* = M' + iM'' \quad (3)$$

Also

$$M' = \frac{\tau'}{\gamma_0} = \frac{\tau_0}{\gamma_0} \cos \delta = |M^*| \cos \delta \quad (4)$$

$$M'' = \frac{\tau''}{\gamma_0} = \frac{\tau_0}{\gamma_0} \sin \delta = |M^*| \sin \delta \quad (5)$$

The absolute value of the complex modulus is given by following equation:

$$|M^*| = \sqrt{M'^2 + M''^2} \quad (6)$$

The tangent of the loss angle is given by the following equation:

$$\tan \delta = \frac{M''}{M'} \quad (7)$$

5.5.2 Free-vibration method

For a freely vibrating rubber and mass system, the equation of motion is given by the following equation:

$$m \frac{d^2x}{dt^2} + \frac{K''}{\omega} \frac{dx}{dt} + K'x = 0 \quad (8)$$

The solution of this equation gives

$$K' = m\omega^2 \left(1 + \frac{A^2}{4\pi^2} \right) \quad (9)$$

$$K'' = \frac{m\omega^2 A}{\pi} \quad (10)$$

$$L_f = \frac{A}{\pi \left(1 + \frac{A^2}{4\pi^2} \right)} \quad (11)$$

where

L_f is the loss factor;

A is the logarithmic decrement.

5.6 Interdependence of frequency and temperature

The effects of frequency and temperature are interdependent, i.e. an increase in temperature can produce a similar change in modulus as a reduction in frequency, and *vice versa*. This can be used to make estimates of dynamic properties outside the measured range, for example at higher frequencies than an apparatus can achieve, by using results at lower temperatures.

Moduli $M'(f, T)$ and $M''(f, T)$ measured at a given frequency f , absolute temperature T and rubber density ρ can be transformed to "reduced" moduli $M'[f \cdot a(T), T_0]$ and $M''[f \cdot a(T), T_0]$ at standard temperature T_0 and corresponding density ρ_0 by using the relationships

$$M'(f, T) = \left(\frac{\rho \cdot T}{\rho_0 \cdot T_0} \right) \times M'[f \cdot a(T), T_0] \quad (12)$$

$$M''(f, T) = \left(\frac{\rho \cdot T}{\rho_0 \cdot T_0} \right) \times M''[f \cdot a(T), T_0] \quad (13)$$

where

$a(T)$ is the Williams, Landel, Ferry (WLF) shift factor;

T is the test temperature (K);

T_0 is the reference temperature (K);

f is the test frequency (Hz);

$f \cdot a(T)$ is the reduced frequency (Hz);

ρ is the rubber density at the test temperature (kg/m^3);

ρ_0 is the rubber density at standard temperature (kg/m^3).

If these reduced moduli are plotted against log frequency, they group themselves in curves, one for each temperature. These curves can be reduced to a single composite curve by shifting each along the abscissa by a quantity $a(T)$ given by the Williams, Landel, Ferry (WLF) equation:

$$\log[a(T)] = \frac{-c_1(T - T_0)}{c_2 + (T - T_0)} \quad (14)$$

The WLF equation can assume various forms of which the following is the most elegant, if not the most precise:

$$\log_{10}[a(T)] = \frac{-17,44(T - T_g)}{51,6 + (T - T_g)} \quad (15)$$

where T_g is the the low-frequency (dilatometric) glass transition temperature.

Many refinements to the general procedures outlined here have been developed. Limitations arise especially due to fillers or crystalline zones and care shall be taken in applying the temperature/frequency transformation. It can be well suited to describing the large variations in a property observed when the temperature and frequency cover wide ranges, but is less applicable to the transformation of data obtained over limited ranges. Transformations greater than 1 decade from the measured data become less reliable.

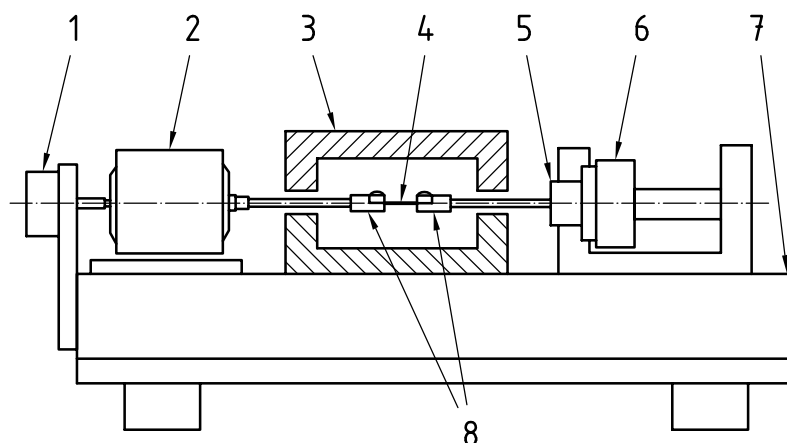
6 Apparatus

All methods require the following basic elements:

- a) **Clamping or supporting arrangement** that permits the test piece to be held so that it acts as the elastic and viscous element in a mechanically oscillating system.
- b) **Device for applying an oscillatory load (stress) to the test piece.** The stress or strain can be applied as a single pulse, as in free-vibration apparatus, or can be continuously applied, as in forced-vibration apparatus. The preferred form of impressed strain is sinusoidal, and the strain shall be impressed on the test piece with a harmonic distortion which is as low as possible, and in no case greater than 10 %.
- c) **Detectors**, for determining dependent and independent experimental parameters such as force, deformation, frequency and temperature.

- d) **Oven and controller**, for maintaining the test piece at the required temperature.
- e) **Instruments for measuring test piece dimensions**, in accordance with ISO 23529.

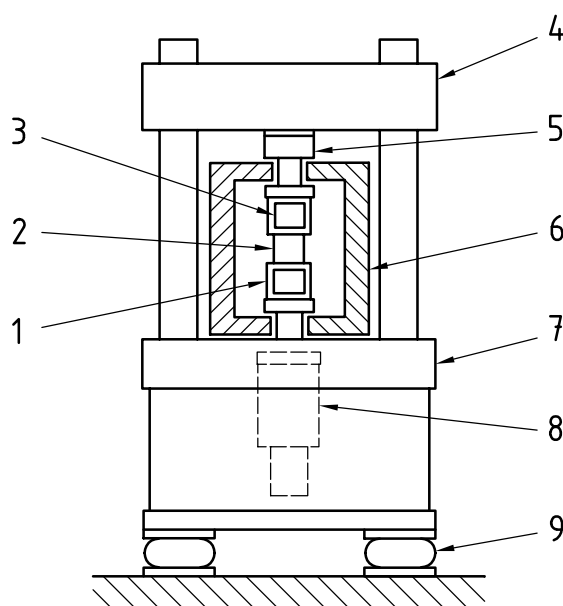
Numerous forms of test machine have been developed and used successfully both by individual experimenters and commercial manufacturers. Figures 4 and 5 give typical examples of machines which have been used for testing small and large test pieces, respectively.



Key

- | | | |
|-------------------------|----------------------|-------------------------|
| 1 displacement detector | 2 vibrator | 3 thermostatted chamber |
| 4 test piece | 5 load detector | 6 crosshead |
| 7 main frame | 8 test piece holders | |

Figure 4 — Example of small-sized test apparatus



Key

- | | | |
|---------------------------|--|---------------------------|
| 1 lower test piece holder | 2 test piece | 3 upper test piece holder |
| 4 crosshead | 5 load detector | 6 thermostatted chamber |
| 7 main frame | 8 actuator/displacement detector
(velocity transducer, acceleration transducer) | 9 air spring |

Figure 5 — Example of large-sized test apparatus

7 Calibration

It is essential that the apparatus be calibrated with respect to each parameter so that it is traceable, as far as possible, to national standards.

The following tolerances are recommended:

- | | |
|---|--------------------------------|
| a) Deformation | $\pm 1 \%$ |
| b) Force | $\pm 1 \%$ |
| c) Frequency | $\pm 2 \%$ |
| d) Temperature | $\pm 1 \text{ }^\circ\text{C}$ |
| e) Test sample dimensions and gauge lengths | $\pm 1 \%$ |

Instruments for measuring frequency, temperature and dimensions can readily be calibrated with full traceability to national standards. For deformation and force, such traceability can only be formally achieved for static calibration (see ISO 5893).

In free-vibration apparatus (e.g. the torsion pendulum), it will be necessary to correct for the restoring force generated by the test piece suspension, for losses in the suspension and for air damping.

8 Test conditions and test pieces

8.1 Test piece preparation

Test pieces can be moulded or cut from moulded sheet. Moulding is preferred for shear and compression test pieces. Metal plates for shear and compression test pieces can be bonded during moulding or bonded afterwards with a thin layer of suitable adhesive.

Test pieces can be obtained from some products by cutting and buffing. In other cases, it can be necessary or desired to test the complete product.

8.2 Test piece dimensions

Test piece shape and dimensions will vary according to the mode of deformation, the type of test machine and its capacity (see Tables 2 and 3).

The thickness of any metal plates which are bonded to the rubber during the vulcanization process shall be measured before moulding and the thickness of the rubber deduced by measurement of the overall thickness of the moulding.

8.3 Number of test pieces

In order to obtain an indication of the variability of the material, it is recommended that a minimum of three test pieces or products be tested.

8.4 Test conditions

8.4.1 Strain

Rubbers containing substantial quantities of fillers show viscoelastic behaviour that is dependent on the strain amplitude of the test. As a general principle, strain amplitudes shall be chosen to correspond to the strains experienced in service but, in practice, there can be restrictions because of machine capacity, the wish to operate in the linear part of the stress-strain curve and heat build-up.

Recommended values of strain amplitudes are given in Tables 2 and 3. Not all of these strain amplitudes will necessarily be required for a given series of tests. If one strain amplitude is used, it shall be the preferred value.

In practice, the lowest strain level achievable will be limited by machine sensitivity and the highest strain level by the machine, especially at higher frequencies and at temperatures near the glass transition.

In service, products can be subjected to a dynamic strain superimposed on a static strain, and the static strain does not necessarily give the same mode of deformation. To obtain data more relevant to such conditions, the dynamic strains recommended here can be superimposed on any level or form of static strain. This can be particularly relevant to testing products and is usually applied to compression test pieces.

8.4.2 Frequency and temperature

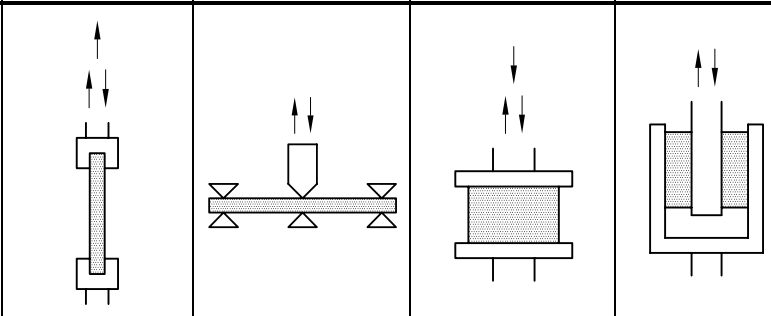
Rubbers show viscoelastic behaviour which is frequency- and temperature-dependent. This dependence is very marked near transitions. As a consequence, frequencies and temperatures relevant to service shall be chosen or, particularly when characterizing materials, tests over a range of frequencies and temperatures carried out.

Recommended values are given in Tables 2 and 3.

8.5 Small-sized test apparatus

The basic principles of dynamic testing using a small-sized test apparatus and the forced-vibration non-resonance method are given in Table 2.

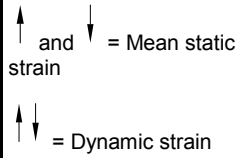
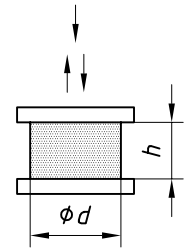
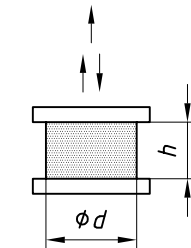
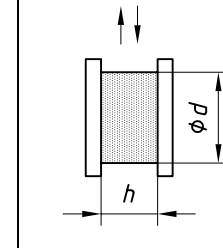
Table 2 — Test conditions and test pieces for small-sized test apparatus

		Mode of deformation				Comments
		Tension	Bending	Compression	Shear	
Type of test piece and mode of deformation (strain)  ↑ and ↓ = Mean static strain ↑↓ = Dynamic strain						The bending method is usually applied to relatively stiff and inextensible materials such as rubber/fibre composite materials.
Test piece shapes and dimensions		Rectangular strip l = length b = width h = thickness h = 1 mm to 3 mm The distance between holders is preferably five times the width b .	Rectangular strip l = length b = width h = thickness The distance between the bending support points is preferably 16 times the thickness h . h = 1 mm to 3 mm.	Cylinder d = diameter h = height $h:d$ = about 1:1,5 h = 1 mm to 5 mm	Cylinder d = diameter h = height $h:d$ = 1:4 $h \leq 12$ mm Rectangular column d = side \times side h = height $h:b$ = 1:4	For the tension and bending methods, the measured dimensions of the test piece shall include the thickness, width, and distance between the grips or distance between the bending support points. For the compression and shear methods, they shall include the thickness, width, and diameter or lengths of the sides. Each dimensional tolerance shall be maintained to within $\pm 1\%$.
Test conditions	Mean strain, %	1 to 10	0	10	0	For bench analysis, values will depend on the machine parameters.
	Strain amplitude, %	$\pm 0,5, \pm 1, \pm 2$ Can also be a continuous scan				The maximum tolerance of the detector should preferably be within $\pm 1\%$.
	Frequency, Hz	1, 5, 10, 15, 30, 50, 100, 150, 200 Can also be a continuous scan				The maximum tolerance on the frequency shall be within $\pm 2\%$.
	Test temperature, °C	Select from ISO 23529, although smaller intervals can be necessary in transition regions where properties are changing rapidly. Can also be a continuous scan.				The maximum tolerance of the detector should preferably be within $\pm 1\text{ }^\circ\text{C}$.
Parameters required		$ M^* , M', M'', \tan \delta$				For dynamic tests with small-sized apparatus, the effect of temperature is frequently depicted graphically.

8.6 Large-sized test apparatus

The basic principles of dynamic test using the large-sized test apparatus and the forced-vibration non-resonance method are given in Table 3.

Table 3 — Test conditions and test pieces for large-sized test apparatus

		Mode of deformation			Comments
		Compression	Tension	Shear	
Type of test piece and mode of deformation (strain)  ↑ and ↓ = Mean static strain ↑↓ = Dynamic strain					<p>For large-sized test apparatus, shear deformation is preferable to compression or tension because in shear the relation between stress and strain is more nearly linear and the hysteresis curve is nearly equal to an ellipse.</p> <p>Two test pieces are usually used in shear to give a symmetrical arrangement, which avoids bending moments.</p> <p>Alternatively, torsional shear can be used.</p>
Test piece shapes and dimensions		Cylinder with metal fittings $h:d = \text{about } 1:1,5$ Cylinder See ISO 7743 For unbonded test pieces, the test pieces specified in ISO 815 are convenient and widely used.	Cylinder with metal fittings $h:d = \text{about } 1:1,5$	Cylinder with metal fittings $h:d = \text{about } 1:4$ $h \leq 12 \text{ mm}$ Rectangular column with metal fittings $h:d = \text{about } 1:4$ $h \leq 12 \text{ mm}$	<p>The shapes and dimensions of the test pieces shall be selected to meet the requirements of the relevant type and capacity of test apparatus specified.</p> <p>The metal fittings for the test piece shall be vulcanized to the rubber. The cylindrical test piece for the compression method shall be as specified in ISO 7743.</p> <p>For conical shear, test pieces of about 35 mm diameter are suitable. For the cone/cone geometry, a cone angle of less than 5° and for the cone/plate geometry a cone angle of less than 3° is required to maintain uniform shear.</p>
Test conditions	Mean strain, %	10 ± 0,5	5 to 20	0	The maximum tolerance of the detector should preferably be within ± 1 %.
	Strain amplitude, %	± 2, ± 5 Preferred value ± 5	± 0,2 to ± 10	± 1, ± 3, ± 6, ± 10, ± 15 Preferred value ± 10	The average strain and strain amplitude used shall be determined by measuring the mean deflection and deflection amplitude with a test piece of suitable thickness.
	Frequency, Hz	1, 5, 10, 15, 30, 50, 100, 150, 200			The maximum tolerance on the frequency shall be within ± 2 %.
	Test temperature, °C	Select from ISO 23529			The maximum tolerance of the detector should preferably be within ± 1 °C.
Parameters required		M* , M', M'', tan δ			For the compression test method using a cylindrical test piece, a spring constant (for example [K*], K', K'') can be replaced by an elastic modulus.

8.7 Dynamic testing using free vibration

The basic principles of dynamic testing using the free-vibration method are as follows:

a) Test piece dimensions

Rectangular strips are preferred of thickness between 1 mm and 3 mm, of width between 4 mm and 12 mm (subject to a maximum width to thickness ratio of 10) and of length between the clamps at least 10 times the width (subject to a maximum of 120 mm). The thickness, width and distance between grips shall be measured to ± 1 %.

b) Test conditions

Strain amplitude 0,5 % max.

Frequency 0,1 Hz to 10 Hz

Temperature Continuous scans of properties against temperature may be obtained or temperatures selected from ISO 23529.

9 Conditioning

9.1 Storage

The time lapse between vulcanization and testing shall be in accordance with ISO 23529.

9.2 Temperature

Test pieces shall be conditioned at a standard laboratory temperature for not less than 3 h immediately before a sequence of tests. At each temperature, it is essential that the test piece be conditioned for sufficient time to reach equilibrium, but conditioning shall be no longer than is necessary, particularly at higher temperatures, to avoid ageing effects. The conditioning time depends on the test piece dimensions and the temperature. Guidance is given in ISO 23529.

9.3 Mechanical conditioning

Dynamic properties of filled rubbers are dependent on their strain history and temperature history, and it is necessary to pre-condition the test pieces to obtain consistent and reproducible results.

The test pieces shall be mechanically conditioned before being tested (sometimes referred to as "scragging") to remove irreversible "structure". The conditioning shall consist of at least six cycles at the maximum strain and temperature to be used in the test series.

A minimum of 12 h is recommended between mechanical conditioning and testing to allow reversible "structure" to equilibrate.

Where the dynamic test is to be superimposed on a static pre-strain, the test piece shall be held at the static strain during the rest period.

This mechanical conditioning can generally be omitted when only a single, very small, strain is used as, for example, in free vibration.

10 Test procedure

If a test piece is to be tested under more than one set of conditions, measurements shall begin with the least severe conditions and then proceed to larger amplitudes and higher frequencies. In the case of testing at different temperatures, the test chamber shall be adjusted to the lowest specified temperature and, after the test pieces have tested at that temperature, the chamber shall be raised to the next temperature required.

For forced-vibration tests, measurement shall be made after at least six cycles have been applied to reach near-equilibrium. At low amplitudes and frequencies, there is no need to restrict the length of time for which cycling is continued. However, at higher amplitudes and frequencies there is an increasing danger of heat build-up in the test piece, and the test time shall be as short as possible, especially at or near transitions.

The temperature rise can be estimated as follows:

The energy loss per unit volume per cycle is

$$\pi \sin \delta \left(|M^*| \gamma_0^2 \right)$$

Thus the rate of rise in temperature when there are no heat losses from the test piece is as follows:

$$\pi \sin \delta \left(|M^*| \gamma_0^2 f / C_p \right)$$

where C_p is the heat capacity per unit volume [a typical value is 1,7 MJ/(m³·°C)].

If time-dependent changes which can be attributed to a temperature rise occur during the test, the results can be extrapolated to the nominal test temperature. Alternatively, in the case of products, there can be circumstances when it is more appropriate to continue testing until equilibrium is reached.

11 Expression of results

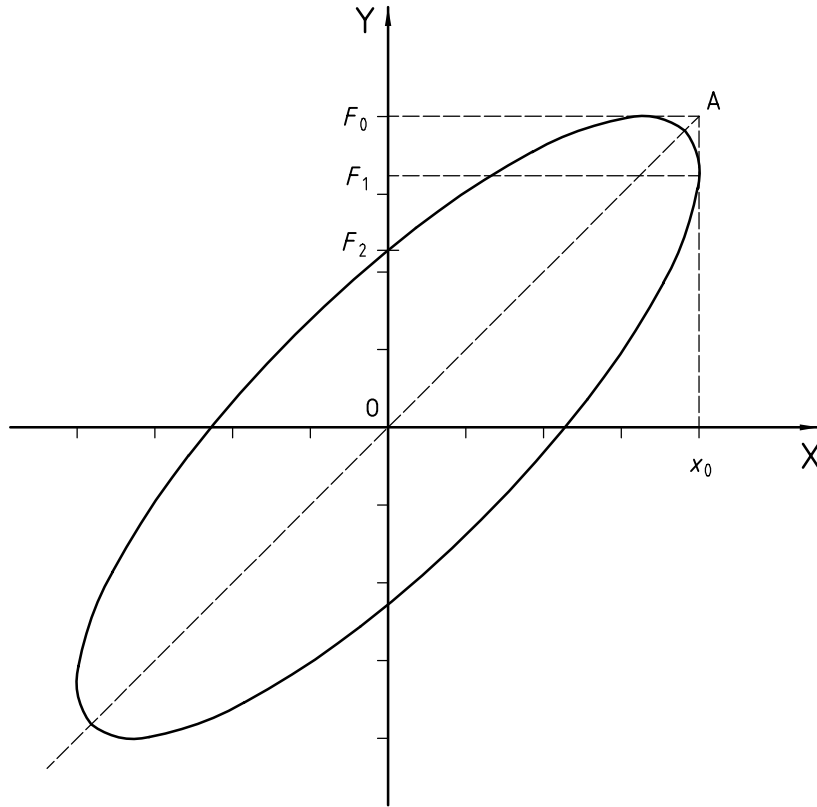
11.1 Parameters required

Generally, the in-phase, out-of-phase and complex moduli (or complex spring constants) and $\tan \delta$ (or L_f) are required. Where appropriate, these are best presented in tables or graphically as a function of temperature, frequency and amplitude.

11.2 Forced vibration

The parameters can be derived from the load-deflection curve, an example of which is shown in Figure 6. This can be achieved by suitable electronic analysis techniques without the need to record the load-deflection loop. However, with filled rubbers and at higher amplitudes, non-linear behaviour can be exhibited and the hysteresis loop will deviate from a perfect ellipse, which complicates the derivation of the parameters.

Figure 6 shows a load-deflection loop obtained from a dynamic test on a double-shear test piece. The origin O represents the mean values of the load and deflection and, if a static deflection is imposed, will not be the zero values. The loads and deflections shown are thus the dynamic components.



Key

X deflection

Y load

Figure 6 — Load-deflection curve

If the behaviour of the rubber is linear, the loop shown in Figure 6 will be an ellipse. In this case, for the double-shear test piece, the absolute value of the complex modulus is given by the following equation:

$$|G^*| = \frac{F_0 h}{2Ax_0} \quad (16)$$

where

F_0 and x_0 are the maximum load amplitude and maximum deflection amplitude, respectively;

A is the test piece cross-sectional area;

h is the test piece thickness.

Thus F_0/x_0 is given (see Figure 6) by the slope of the line OA which is the diagonal of the circumscribed rectangle. The loss angle is given by

$$\tan \delta = \frac{G''}{G'} \quad (17)$$

The elastic shear modulus G' is given by

$$G' = |G^*| \cos \delta \quad (18)$$

and the loss shear modulus G'' by

$$G'' = |G^*| \sin \delta \quad (19)$$

The loss angle is also given by

$$\sin \delta = \frac{\text{Area of ellipse}}{\pi F_0 x_0} \quad (20)$$

This latter relation can be particularly useful when there is some non-linearity and the ellipse is not perfect, as it will give an average value.

Similar expressions apply to other modes of deformation and other test piece geometries.

11.3 Free vibration

For rotational oscillation, the parameters required are obtained from the solution to the equation of motion [Equation (8)] given in 5.5.2 and the relationship for torsion [Equation (24)] given in 11.4.

The logarithmic decrement is obtained from a trace of displacement (or velocity) against time.

11.4 Stress-strain relationships and shape factors

In shear, stress can be taken as proportional to strain as follows:

$$\tau = G \gamma \quad (21)$$

With the recommended test piece, no shape factor correction is necessary.

In tension or compression, the stress-strain relationship is better represented by

$$\tau = \frac{E}{3} (\lambda - \lambda^{-2}) \quad (22)$$

where τ is with reference to the initial cross-section.

For compression test pieces with bonded ends, a shape factor shall be applied:

$$E_c = E (1 + 2k_s^2) \quad (\text{see ISO 7743:2004, Annex A}) \quad (23)$$

In torsion, with a rectangular strip

$$Q = \frac{k_l b h^3 G a}{l} \quad (24)$$

where

k_l is the shape factor in torsion;

l is the length of the test piece between the grips.

Because the relationship between dynamic stiffness and basic modulus can be complex and only approximate, it can be preferable, particularly for products, to work in stiffness.

12 Test report

The test report shall include the following information:

- a) a reference to this part of ISO 4664;
- b) details of the sample and the test pieces:
 - 1) a full description of the sample and its origin,
 - 2) details of the test pieces, including their method of preparation,
 - 3) the dimensions of the test pieces;
- c) test details:
 - 1) the mode of deformation,
 - 2) the mechanical and thermal conditioning procedures used,
 - 3) details of the test machine, including type, drive, capacity and measurement systems,
 - 4) the test conditions, including strain amplitude, frequency and temperature, as appropriate,
 - 5) the test sequence where more than one set of conditions was used,
 - 6) any deviations from the provisions of this part of ISO 4664;
- d) other details:
 - 1) the number of test pieces used,
 - 2) details of the procedures used to calculate the results,
 - 3) the values of the properties determined;
- e) the date of testing.

SRI LANKA STANDARDS INSTITUTION

The Sri Lanka Standards Institution (SLSI) is the National Standards Organization of Sri Lanka established under the Sri Lanka Standards Institution Act No. 6 of 1984 which repealed and replaced the Bureau of Ceylon Standards Act No. 38 of 1964. The Institution functions under the Ministry of Science & Technology.

The principal objects of the Institution as set out in the Act are to prepare standards and promote their adoption, to provide facilities for examination and testing of products, to operate a Certification Marks Scheme, to certify the quality of products meant for local consumption or exports and to promote standardization and quality control by educational, consultancy and research activity.

The Institution is financed by Government grants, and by the income from the sale of its publications and other services offered for Industry and Business Sector. Financial and administrative control is vested in a Council appointed in accordance with the provisions of the Act.

The development and formulation of National Standards is carried out by Technical Experts and representatives of other interest groups, assisted by the permanent officers of the Institution. These Technical Committees are appointed under the purview of the Sectoral Committees which in turn are appointed by the Council. The Sectoral Committees give the final Technical approval for the Draft National Standards prior to the approval by the Council of the SLSI.

All members of the Technical and Sectoral Committees render their services in an honorary capacity. In this process the Institution endeavours to ensure adequate representation of all view points.

In the International field the Institution represents Sri Lanka in the International Organization for Standardization (ISO), and participates in such fields of standardization as are of special interest to Sri Lanka.

SLS CERTIFICATION MARK

The Sri Lanka Standards Institution is the owner of the registered certification mark shown below. Beneath the mark, the number of the Sri Lanka Standard relevant to the product is indicated. This mark may be used only by those who have obtained permits under the SLS certification marks scheme. The presence of this mark on or in relation to a product conveys the assurance that they have been produced to comply with the requirements of the relevant Sri Lanka Standard under a well designed system of quality control inspection and testing operated by the manufacturer and supervised by the SLSI which includes surveillance inspection of the factory, testing of both factory and market samples.

Further particulars of the terms and conditions of the permit may be obtained from the Sri Lanka Standards Institution, 17, Victoria Place, Elvitigala Mawatha, Colombo 08.

