

SRI LANKA STANDARD 1332 : Part 9 : 2010
ISO 17239 : 2004

METHODS OF TEST FOR
FRUITS AND VEGETABLE PRODUCTS
PART 9 – DETERMINATION OF ARSENIC CONTENT –
METHOD USING HYDRIDE GENERATION ATOMIC
ABSORPTION SPECTROMETRY

SRI LANKA STANDARDS INSTITUTION

Sri Lanka Standard
METHODS OF TEST FOR FRUITS AND VEGETABLE PRODUCTS
PART 9 – DETERMINATION OF ARSENIC CONTENT – METHOD USING HYDRIDE
GENERATION ATOMIC ABSORPTION SPECTROMETRY

SLS 1332 : Part 9 : 2010
ISO 17239 : 2004

Gr. E

Copyright Reserved
SRI LANKA STANDARDS INSTITUTION
17, Victoria Place,
Elvitigala Mawatha,
Colombo 8,
Sri Lanka.

Sri Lanka Standards are subject to periodical revision in order to accommodate the progress made by industry. Suggestions for improvement will be recorded and brought to the notice of the Committees to which the revisions are entrusted.

This standard does not purport to include all the necessary provisions of a contract.

© SLSI 2010

All right reserved. Unless otherwise specified, no part of this publication may be reproduced or utilized in any form or by any means, electronic or mechanical, including photocopying and microfilm, without permission in writing from the SLSI.

Sri Lanka Standard
METHODS OF TEST FOR FRUITS AND VEGETABLE PRODUCTS
PART 9 – DETERMINATION OF ARSENIC CONTENT – METHOD USING
HYDRIDE GENERATION ATOMIC ABSORPTION SPECTROMETRY

NATIONAL FOREWORD

This Sri Lanka standard was approved by the Sectoral Committee on Agricultural and Food Products and was authorized for adoption and publication as a Sri Lanka Standard by the Council of the Sri Lanka Standards Institution on 2010-03-25.

In order to accommodate the large number of test methods within the scope of one standard, this standard is published in several parts.

This part of the standard is identical with ISO 17239 : 2004, Fruits, vegetables and derived products- Determination of arsenic content – Method using hydride generation atomic absorption spectrometry, published by the International Organization for Standardization (ISO).

Terminology and Conventions:

The text of the International Standard has been accepted as suitable for publication, without deviation, as a Sri Lanka Standard. However, certain terminology and conventions are not identical with those used in Sri Lanka Standards. Attention is therefore drawn to the following:

- a) Wherever the words “International Standard” appear referring to this standard should be interpreted as “Sri Lanka Standard”.
- b) The comma has been used throughout as a decimal marker. In Sri Lanka Standards it is the current practice to use the full point on the base line as the decimal marker.
- c) Wherever page numbers are quoted, they are ISO page numbers.

The test temperature adopted in Sri Lanka is 27 ± 2 °C and relative humidity 65 ± 5 per cent is recommended.

INTERNATIONAL STANDARD

ISO
17239

First edition
2004-10-15

Fruits, vegetables and derived products — Determination of arsenic content — Method using hydride generation atomic absorption spectrometry

*Fruits, légumes et produit dérivés — Détermination de la teneur en
arsenic — Méthode par spectrométrie d'absorption atomique à
génération de hydrure*



Reference number
ISO 17239:2004(E)

PDF disclaimer

This PDF file may contain embedded typefaces. In accordance with Adobe's licensing policy, this file may be printed or viewed but shall not be edited unless the typefaces which are embedded are licensed to and installed on the computer performing the editing. In downloading this file, parties accept therein the responsibility of not infringing Adobe's licensing policy. The ISO Central Secretariat accepts no liability in this area.

Adobe is a trademark of Adobe Systems Incorporated.

Details of the software products used to create this PDF file can be found in the General Info relative to the file; the PDF-creation parameters were optimized for printing. Every care has been taken to ensure that the file is suitable for use by ISO member bodies. In the unlikely event that a problem relating to it is found, please inform the Central Secretariat at the address given below.

© ISO 2004

All rights reserved. Unless otherwise specified, no part of this publication may be reproduced or utilized in any form or by any means, electronic or mechanical, including photocopying and microfilm, without permission in writing from either ISO at the address below or ISO's member body in the country of the requester.

ISO copyright office
Case postale 56 • CH-1211 Geneva 20
Tel. + 41 22 749 01 11
Fax + 41 22 749 09 47
E-mail copyright@iso.org
Web www.iso.org

Published in Switzerland

Contents

Page

Foreword.....	iv
1 Scope.....	1
2 Principle	1
3 Reagents	1
4 Apparatus	2
5 Sample.....	3
6 Procedure	3
7 Calculation.....	5
8 Precision	5
9 Test report	6
Annex A (normative) Apparatus	7
Annex B (informative) Results of the interlaboratory test.....	9
Bibliography	10

Foreword

ISO (the International Organization for Standardization) is a worldwide federation of national standards bodies (ISO member bodies). The work of preparing International Standards is normally carried out through ISO technical committees. Each member body interested in a subject for which a technical committee has been established has the right to be represented on that committee. International organizations, governmental and non-governmental, in liaison with ISO, also take part in the work. ISO collaborates closely with the International Electrotechnical Commission (IEC) on all matters of electrotechnical standardization.

International Standards are drafted in accordance with the rules given in the ISO/IEC Directives, Part 3.

Draft International Standards adopted by the technical committees are circulated to the member bodies for voting. Publication as an International Standard requires approval by at least 75 % of the member bodies casting a vote.

Attention is drawn to the possibility that some of the elements of this International Standard may be the subject of patent rights. ISO shall not be held responsible for identifying any or all such patent rights.

International Standard ISO 17239 was prepared by Technical Committee ISO/TC 34, *Food products*, Subcommittee SC 3, *Fruit and vegetable products*.

Fruits, vegetables and derived products — Determination of arsenic content — Method using hydride generation atomic absorption spectrometry

1 Scope

This International Standard specifies a hydride generation atomic absorption spectrometric method for the determination of the arsenic content of fruits, vegetables and derived products.

NOTE The method of arsenic determination in fruit, vegetables and derived products is based on AOAC Official Methods for Analysis (see Reference [1]).

2 Principle

Organic matter is decomposed by digestion with HNO_3 in a closed system. Arsenic(V) is reduced to arsenic(III) with potassium iodide, and hydrides of arsenic are generated by the action of sodium borohydride prior to atomization in a flame-heated quartz cell. Measurement is by atomic absorption spectrometry.

3 Reagents

Use only reagents of recognized analytical grade, unless otherwise specified, and distilled or demineralized water or water of equivalent purity.

3.1 Nitric acid, concentrated, ($\rho_{20} = 1,38 \text{ g/ml}$).

3.2 Hydrochloric acid, 8 mol/l solution.

Place 66 ml of concentrated hydrochloric acid ($\rho_{20} = 1,19 \text{ g/ml}$) in a 100 ml one-mark volumetric flask and make up to the mark with water. Mix.

3.3 Hydrochloric acid, diluted 1 + 1, by volume.

Mix one volume of concentrated hydrochloric acid ($\rho_{20} = 1,19 \text{ g/ml}$) with one volume of water.

3.4 Magnesium chloride, 37,5 mg/ml solution.

Dissolve, in a 100 ml one-mark volumetric flask, 3,75 g of magnesium oxide by gradually adding approximately 20 ml of hydrochloric acid solution (3.2) and make up to the mark with water. Mix.

3.5 Magnesium nitrate, 75 mg/ml solution.

Dissolve, in a 50 ml one-mark volumetric flask, 3,75 g of magnesium oxide with approximately 30 ml of water. Slowly add approximately 10 ml of nitric acid (3.1) and mix. Make up to the mark with water.

3.6 Sodium borohydride, 4 % solution.

Dissolve, in a 100 ml one-mark volumetric flask, 4 g of NaBH_4 in 4 % sodium hydroxide. Mix and make up to the mark with 4 % sodium hydroxide.

3.7 Potassium iodide, 20 % solution.

Dissolve, in a 100 ml one-mark volumetric flask, 20 g of potassium iodide in water. Mix and make up to the mark with water. Prepare just before use.

3.8 Arsenic, standard solution corresponding to 1,0 mg of arsenic per millilitre.

4 Apparatus

Rinse all glassware before using with a nitric acid solution (diluted 1 + 1), followed by a thorough rinse with water.

Decontaminate the digestion vessels by digesting with reagents to be used in digestion. Rinse thoroughly with water.

Usual laboratory apparatus and, in particular, the following.

4.1 Mechanical grinder, the inside and blades of which are coated with polytetrafluoroethylene (PTFE).

4.2 Atomic absorption spectrometer, provided with an air/acetylene burner (10 cm) and hydrogen-nitrogen-entrained air flames, suitable for measurement at a wavelength of 193,7 nm and equipped with a deuterium-arc background correction.

4.3 Decomposition vessel, 70 ml (see Figure A.1), consisting of a stainless steel body supporting a polytetrafluoroethylene (PTFE) crucible having a screw-cap with a PTFE liner to provide a PTFE sealing surface.

A PTFE spout is snapped on outside the rim to permit a quantitative transfer of the contents without contacting the metal parts.

4.4 Oven, capable of maintaining a temperature of 150 °C.

4.5 Furnace, capable of maintaining a temperature of 450 °C.

4.6 Hydride generator, (see Figure A.2), constructed from the following:

4.6.1 Flat-bottom flask, borosilicate glass, 50 ml capacity.

4.6.2 Stoppers, two-hole (one through the centre), No 9 rubber stopper, with a gas-outlet tube of polyethylene tubing, 100 mm long with a 3,2 mm id, fitted through the centre hole.

4.6.3 Reagent-cup assembly, consisting of the bottom 25 mm of a polyethylene test tube with a hole in the bottom, through which the lower end of a gas-outlet tube is placed so that 3 mm of a tube protrudes below the lower edge of the test tube.

Connect the other end of the outlet tubing to the atomic absorption spectrometer (4.2) with 500 mm Tygon¹⁾ tubing by cutting the auxiliary line approximately 75 mm from the mixing chamber and attaching the tubing.

1) Tygon is the trade name of a product. This information is only given for the convenience of users of this International Standard and does not constitute an endorsement by ISO of this product.

4.6.4 N₂ inlet tube, made by sealing the bottom end of a segment of polyethylene tubing, 75 mm long with a 3,2 mm id, with a burner and then punching several holes in the sealed end with a 21-gauge needle which is inserted through the second hole of the stopper. Alternatively, prepare a segment of polyethylene tubing 500 mm long with a 1,6 mm id in a similar manner which is secured in place in the stopper with a hole-through septum.

4.6.5 Generator mount (optional), consisting of a segment of pipe, 64 mm long with a 1,3 mm id, secured to a laboratory ring stand by means of a clamp holder. Insert an extension clamp into the pipe and attach another clamp to the back of clamp to hold clamp in place and to serve as a handle. The clamp is now free to rotate 180°.

Attach the rubber stopper of the hydride generator to the extension clamp with a stiff wire and position just at the level of the clamp jaws. In operation, place the flask of the generator between the jaws of the extension clamp, insert the stopper firmly into the neck of the flask, then tighten the clamp jaws around neck of the flask. The unit can be rapidly and uniformly inverted by rotating the handle on extension clamp, thus allowing the sample and the sodium borohydride to mix rapidly and reproducibly.

4.7 Pipettes, of appropriate capacities.

4.8 One-mark volumetric flasks, 10 ml, 50 ml and 200 ml capacity.

4.9 Analytical balance.

5 Sample

It is important that the laboratory receive a sample that is truly representative and that has not been damaged or changed during transport or storage.

6 Procedure

6.1 Preparation of test sample

Thoroughly mix the laboratory sample. If necessary, first remove any seeds, stalks and hard seed-cavity walls, and then grind in the mechanical grinder (4.1).

Frozen or deep-frozen products shall be previously thawed in a closed vessel, and the liquid formed during this process shall be added to the product before mixing.

6.2 Test portion

Weigh, to the nearest 0,01 g, 0,3 g (dry basis) of the test sample (6.1) into the decomposition vessel (4.3).

6.3 Decomposition

CAUTION — Do not exceed manufacturers' specification of 0,3 g of solids in a 70 ml vessel. Proceed cautiously with new or untried applications. Let such sample stand with nitric acid (3.1) overnight or heat on a hot plate cautiously until any vigorous reaction subsides. Then proceed with the closed vessel digestion. Open the vessel in a hood since nitrogen oxides are released.

If the test portion contains ethanol, remove the ethanol by evaporation. Add 5 ml of nitric acid (3.1), close the vessel with a lid, and heat at 150 °C in the oven (4.4) for 2 h.

Cool in a hood, remove the vessel from the jacket, and transfer the contents to a 10 ml volumetric flask (4.8).

Add 4 ml of water to the vessel, cover with the lid, and while holding the lid tightly against the rim, invert several times, and add rinse to the flask.

Dilute to the volume mark with water and mix.

6.4 Blank test

Prepare a blank solution using the same decomposition procedure (6.3), but replacing the test portion (6.2) with 1 ml of water.

6.5 Determination

6.5.1 Preparation of calibration graph

Dilute the standard arsenic solution (3.8) with water to obtain five solutions with an arsenic concentration of 1 µg/ml, 2 µg/ml, 3 µg/ml, 4 µg/ml, or 5 µg/ml.

Add 2,0 ml of magnesium chloride solution (3.4) to each of a series of six 50 ml one-mark volumetric flasks (4.8). Add 50 µl of one of the standard solutions with an arsenic concentration of 1 µg/ml, 2 µg/ml, 3 µg/ml, 4 µg/ml, or 5 µg/ml to flasks two to six.

These six flasks now contain 0 µg, 0,05 µg, 0,10 µg, 0,15 µg, 0,20 µg, or 0,25 µg of arsenic. Other amounts of arsenic may be used depending on sensitivity of a system.

Add 0,1 ml of potassium iodide solution (3.7) to each flask, mix, and let stand for at least 2 min.

Connect the generator (4.6) to the instrument (4.2) and adjust pressures and flows as in Table 1. Operate the instrument according to the manufacturer's instructions, with a lamp in place and the recorder set for 20 mm/min.

Add 2,0 ml of sodium borohydride solution (3.6) to the reagent dispenser of the generator, and insert the rubber stopper tightly into the neck of the flask containing standard.

With single, rapid, smooth motion, invert the flask, mixing the solution with the standard. (This operation must be performed reproducibly). A sharp, narrow absorbance peak will appear immediately.

When recorder pen returns to the baseline, remove stopper from the flask and rinse the reagent dispenser with water from squeeze bottle; then suck out water.

Proceed with the next standard. When a series is complete, rinse the glassware thoroughly.

Plot a calibration curve of the arsenic concentration, expressed in micrograms, against absorbance.

Table 1 — Flow rates and pressures for arsenic determination

Gas	Pressure kPa		Flow rate l/min
	Tank, ψ_T	AA control box, ψ_C	
H ₂	140	70	4
N ₂	280	210	10

6.5.2 Spectrometric measurement

Pipette an aliquot of the digested sample (6.3) or blank test (6.4) into the flask (4.6.1) and add 1 ml of magnesium nitrate solution (3.5). Heat on a hot plate at low heat to dryness; then increase heat to the maximum temperature (about 375 °C). Place the flask in a furnace (4.5) set for 450 °C to oxidize any carbonaceous matter and to decompose the excess magnesium nitrate for ≥ 30 min. Cool, dissolve the residue in 2,0 ml of hydrochloric acid solution (3.2). Then add 0,1 ml of potassium iodide solution (3.7) and let stand for at least 2 min.

Connect the generator (4.6) to the instrument (4.2), adjust the pressures and flows as in Table 1 and proceed with the calibration graph preparation (6.5.1).

Read the arsenic content of the test sample or blank from the calibration graph (6.5.1).

7 Calculation

The arsenic content of the sample, w , expressed in milligrams per kilogram of the product, is given by the equation:

$$w = \frac{m_1 - m_2}{m_0}$$

where

m_1 is the mass, expressed in micrograms, of arsenic in the test portion read from the calibration graph;

m_2 is the mass, expressed in micrograms, of arsenic in the blank solution read from the calibration graph;

m_0 is the mass, expressed in grams, of the test portion.

8 Precision

8.1 Interlaboratory test

Details of interlaboratory tests on the method are summarized in Annex B. The values derived from these interlaboratory tests may not be applicable to concentration ranges and matrices other than those given in Annex B.

8.2 Repeatability

The absolute difference between two independent single test results, obtained with the same method on identical test material in the same laboratory by the same operator using the same equipment within a short interval of time, will, in not more than in 5 % of the cases, exceed the value of the repeatability limit r given in Table B.1.

8.3 Reproducibility

The absolute difference between two single test results, obtained with the same method on identical test material in the different laboratories by different operators using different equipment will, in not more than in 5 % of the cases, exceed the value of the reproducibility limit R given in Table B.1.

9 Test report

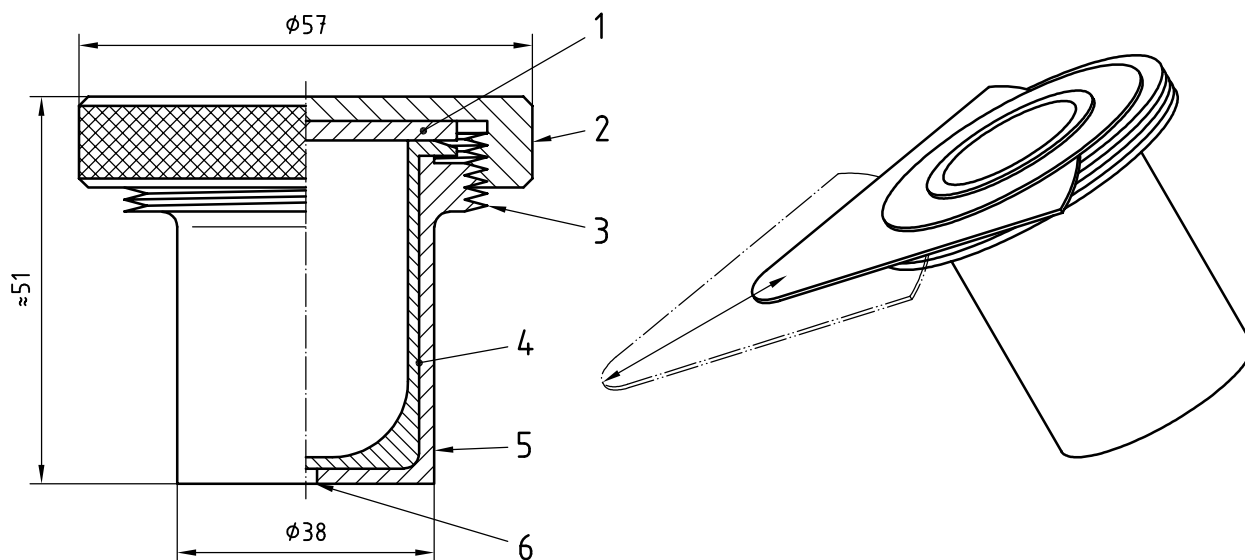
The test report shall specify at least the following:

- a) all information necessary for the complete identification of the sample;
- b) the sampling method used, if known;
- c) the test method used, with reference to this International Standard;
- d) all operating details not specified in this International Standard, or regarded as optional, together with details of any incidents which may have influenced the test result(s);
- e) the test result(s) obtained, or, if the repeatability has been checked, the final quoted result obtained.

Annex A (normative)

Apparatus

Dimensions in millimetres

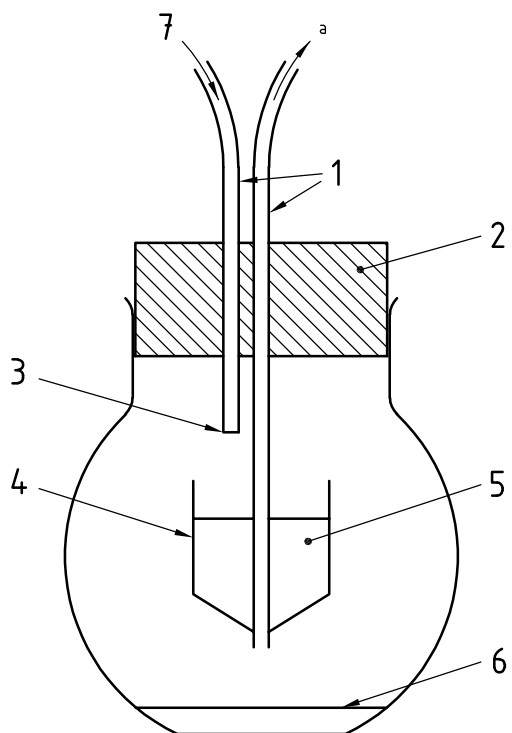


Key

- 1 teflon²⁾ sealing disk
- 2 CRES 304 stainless steel screw-cap
- 3 M 56x3
- 4 teflon crucible
- 5 CRES 304 stainless steel body
- 6 vent

Figure A.1 — Decomposition vessel

2) Teflon is the trade name of a product. This information is only given for the convenience of users of this International Standard and does not constitute an endorsement by ISO of this product.



Key

- 1 polyethylene tubing
- 2 rubber stopper
- 3 flame-sealed polyethylene tubing with holes punched at the lower end
- 4 reagent cup
- 5 sodium borohydride solution
- 6 sample solution
- 7 nitrogen inlet from auxiliary line of the AAS
- a To AAS.

Figure A.2 — Hydride generator

Annex B (informative)

Results of the interlaboratory test

An international collaborative test was carried out on

Sample A: natural strained apple sauce, and

Sample B: strained apple sauce which was spiked with 2 mg of As per kilogram of sample,

using the hydride generation atomic absorption spectrometry method.

The test was organized by the US Food and Drug Administration in 1980 (Reference [2]) and the results obtained were subjected to statistical analysis in accordance with ISO 5725-1^[3] and ISO 5725-2^[4] to give the precision data shown in Table B.1.

Table B.1 — Statistical results of the interlaboratory test

Parameter	Sample of strained applesauce	
	A — natural	B — spiked with 2 mg/kg of As
Number of accepted laboratories	7	7
Number of accepted results	13	14
Mean value of \bar{w} , mg/kg	0,034	1,935
Repeatability standard deviation, s_r , mg/kg	0,007	0,174
Coefficient of variation of repeatability, %	20,9	9,01
Repeatability limit, r (2,8 s_r), mg/kg	0,020	0,488
Reproducibility standard deviation, s_R , mg/kg	0,020	0,287
Coefficient of variation of reproducibility, %	55,7	14,8
Reproducibility limit, R (2,8 s_R), mg/kg	0,056	0,804

Bibliography

- [1] AOAC *Official Methods for Analysis*. AOAC Method 986.15: Arsenic, Cadmium, Lead, Selenium, and Zinc in Food. Multielemental Method. (1995)
- [2] HOLAK W. *Analysis of foods for lead, copper, zinc, arsenic, and selenium, using closed system sample digestion: Collaborative study*. J. Assoc. Off. Anal. Chem. **63**(3) (1980) pp. 485-495
- [3] ISO 5725-1, *Accuracy (trueness and precision) of measurement methods and results — Part 1: General principles and definitions*
- [4] ISO 5725-2, *Accuracy (trueness and precision) of measurement methods and results — Part 2: Basic method for the determination of repeatability and reproducibility of a standard measurement method*.

SLS CERTIFICATION MARK

The Sri Lanka Standards Institution is the owner of the registered certification mark shown below. Beneath the mark, the number of the Sri Lanka Standard relevant to the product is indicated. This mark may be used only by those who have obtained permits under the SLS certification marks scheme. The presence of this mark on or in relation to a product conveys the assurance that they have been produced to comply with the requirements of the relevant Sri Lanka Standard under a well designed system of quality control inspection and testing operated by the manufacturer and supervised by the SLSI which includes surveillance inspection of the factory, testing of both factory and market samples.

Further particulars of the terms and conditions of the permit may be obtained from the Sri Lanka Standards Institution, 17, Victoria Place, Elvitigala Mawatha, Colombo 08.



SRI LANKA STANDARDS INSTITUTION

The Sri Lanka Standards Institution (SLSI) is the National Standards Organization of Sri Lanka established under the Sri Lanka Standards Institution Act No. 6 of 1984 which repealed and replaced the Bureau of Ceylon Standards Act No. 38 of 1964. The Institution functions under the Ministry of Science & Technology.

The principal objects of the Institution as set out in the Act are to prepare standards and promote their adoption, to provide facilities for examination and testing of products, to operate a Certification Marks Scheme, to certify the quality of products meant for local consumption or exports and to promote standardization and quality control by educational, consultancy and research activity.

The Institution is financed by Government grants, and by the income from the sale of its publications and other services offered for Industry and Business Sector. Financial and administrative control is vested in a Council appointed in accordance with the provisions of the Act.

The development and formulation of National Standards is carried out by Technical Experts and representatives of other interest groups, assisted by the permanent officers of the Institution. These Technical Committees are appointed under the purview of the Sectoral Committees which in turn are appointed by the Council. The Sectoral Committees give the final Technical approval for the Draft National Standards prior to the approval by the Council of the SLSI.

All members of the Technical and Sectoral Committees render their services in an honorary capacity. In this process the Institution endeavours to ensure adequate representation of all view points.

In the International field the Institution represents Sri Lanka in the International Organization for Standardization (ISO), and participates in such fields of standardization as are of special interest to Sri Lanka.