

SLS 791..1987

Sri Lanka Standard  
METHOD OF MEASUREMENT OF ROUNDWOOD TIMBER AND  
VOLUME DETERMINATION

SRI LANKA STANDARDS INSTITUTION

DRAFTING COMMITTEE ON GRADING OF TIMBER

CONSTITUTION

<u>NAME</u>	<u>ORGANIZATION</u>
Prof. S R De S Chandrakeerthi (Chairman)	University of Moratuwa
Mr. F Alfred	Ibrahim Jafferjee (by invitation)
Mr. E D W Jayamanne	State Timber Corporation
Mr. P V Joseph	Ceylon Plywoods Corporation
Mr. M C Mody	The Burma Teak Trading Co. Ltd. (by invitation)
Mr. M Pushparajah	Forest Resources Development Project
Mr. R Ponnampalam	State Timber Corporation
Mr. Sam Perera	State Timber Corporation
Mr. B T Reprado	F A O (by invitation)
Mr. E W Seneviratne	University of Sri Jayawardenepura
Mr. A M T Soyza	Forest Department
Mr. D A L Warnakula	State Timber Corporation
Mr. B Premaratne	Sri Lanka Standards Institute
Mr. N B M Ranatunge (Secretary)	Sri Lanka Standards Institute

METHOD OF MEASUREMENT OF ROUNDWOOD TIMBER AND VOLUME DETERMINATION

FOREWORD

This Sri Lanka Standard was authorised for adoption and publication by the Council of the Sri Lanka Standards Institution on ~~..87.07.27~~ after the draft finalised by the Drafting Committee on Grading of timber has been approved by the Civil Engineering Divisional Committee.

Roundwood timber is graded in terms of visible defects and sold on the basis of its true volume. In order to achieve optimum utilization of timber resources, measurement of true volume, and in the implementation of grading rules, application of standards was considered necessary. SLS ..... Rules for grading of roundwood timber together with this standard is expected to fulfil these needs. A volume table is included in this standard, which could be used to obtain the true volume of timber from log dimensions without tedious calculations.

For the purpose of deciding whether a particular requirement of this standard is complied with, the final value, observed or calculated, expressing the result of a test or measurement, shall be rounded off in accordance with CS 102, Presentation of numerical values. The number of significant places retained in the rounded off value should be the same as that of the specified value in this standard.

1 SCOPE

This method of measurement is applicable to logs of any grade, debarked or unbarked.

2 REFERENCE

2.1 SLS ..... Rules for grading of roundwood timber.

3 MODE AND SYSTEM OF MEASUREMENT

3.1 Logs shall be measured based on the formula -

$$V = \frac{G \times G \times L \times 7}{88} \times 1000$$

where V is the volume in cubic decimetres (true volume) ;

G is the mid girth underbark in metres and

L is the length of the log in metres.

NOTE - 1 cubic decimetre = 0.001 cubic metres = 0.03531 cubic feet.

3.2 Lengths shall be measured along a straight line parallel to the central axis of the log from the centre of the top diameter to the centre of the butt diameter to the nearest lower full decimetre (10 cm).

3.3 Mid-girth shall be measured at the middle of the log free from bark and recorded to the nearest centimetre.

3.4 The trimming allowance shall be considered as an exponent of the recorded length with a minimum of 0.1 decimetre (1 cm) and a maximum of 0.9 decimetres (9 cm).

NOTE - For transmission pole and other pole grades (see SLS ..... ) volume measurements are not used in Sri Lanka.

#### 4 VOLUME DETERMINATION

4.1 The volume of individual logs shall be determined from standard volume tables (see Table 1 - 31) based on the volume of a cylinder.

4.2 Volume of trimming allowance shall be excluded by taking the length of the log as in 2.2.

4.3 No deduction of measurement for defects of any kind on a log of any grade shall be made.

TABLE 1 A.

## VOLUME OF ROUNDWOOD TIMBER

Mid Girth(m)	Volume in cubic decimetres									
	0.30	0.31	0.32	0.33	0.34	0.35	0.36	0.37	0.38	0.39
1.0	7	8	8	9	9	10	10	11	11	12
1.1	8	8	9	10	10	11	11	12	13	13
1.2	9	9	10	11	12	12	13	14	15	15
1.3	9	10	11	11	12	13	13	14	15	16
1.4	10	11	11	12	13	14	14	15	16	17
1.5	11	11	12	13	14	15	15	16	17	18
1.6	11	12	13	14	15	16	16	17	18	19
1.7	12	13	14	15	16	17	18	19	20	21
1.8	13	14	15	16	17	18	19	20	21	22
1.9	14	15	15	16	17	19	20	21	22	23
2.0	14	15	16	17	18	19	21	22	23	24
2.1	15	16	17	18	19	20	22	23	24	25
2.2	16	17	18	19	20	21	23	24	25	27
2.3	16	18	19	20	21	22	24	25	26	28
2.4	17	18	20	21	22	23	25	26	28	29
2.5	18	19	20	22	23	24	26	27	29	30
2.6	19	20	21	23	24	25	27	28	30	31
2.7	19	21	22	23	25	26	28	29	31	33
2.8	20	21	23	24	26	27	29	30	32	34
2.9	21	22	24	25	27	28	30	32	33	35
3.0	21	23	24	26	28	29	31	33	34	36
3.1	22	24	25	27	29	30	32	34	36	38
3.2	23	24	26	28	29	31	33	35	37	39
3.3	24	25	27	29	30	32	34	36	38	40
3.4	24	26	28	29	31	33	35	37	39	41
3.5	25	27	29	30	32	34	36	38	40	42
3.6	26	28	29	31	33	35	37	39	41	44
3.7	26	28	30	32	34	36	38	40	42	45
3.8	27	29	31	33	35	37	39	41	44	46
3.9	28	30	32	34	36	38	40	42	45	47
4.0	29	31	33	35	37	39	41	44	46	48
4.1	29	31	33	36	38	40	42	45	47	50
4.2	30	32	34	36	39	41	43	46	48	51
4.3	31	33	35	37	40	42	44	47	49	52
4.4	31	34	36	38	40	43	45	48	51	53
4.5	32	34	37	39	41	44	46	49	52	54
4.6	33	35	37	40	42	45	47	50	53	56
4.7	34	36	38	41	43	46	48	51	54	57
4.8	34	37	39	42	44	47	49	52	55	58
4.9	35	37	40	42	45	48	51	53	56	59
5.0	36	38	41	43	46	49	52	54	57	60
5.1	37	39	42	44	47	50	53	56	59	62
5.2	37	40	42	45	48	51	54	57	60	63
5.3	38	41	43	45	48	51	55	58	61	64
5.4	39	41	44	46	49	52	55	59	62	65

TABLE 1 B.

## VOLUME OF ROUNDWOOD TIMBER

Mid Girth(m)	Volume in cubic decimetres									
	0.30	0.31	0.32	0.33	0.34	0.35	0.36	0.37	0.38	0.39
5.5	39	42	45	48	51	54	57	60	63	67
5.6	40	43	46	49	51	55	58	61	64	68
5.7	41	44	46	49	52	56	59	62	65	69
5.8	42	44	47	50	53	57	60	63	67	70
5.9	42	45	48	51	54	57	61	64	68	71
6.0	43	46	49	52	55	58	62	65	69	73
6.1	44	47	50	53	56	59	63	66	70	74
6.2	44	47	51	54	57	60	64	68	71	75
6.3	45	48	51	55	58	61	65	69	72	76
6.4	46	49	52	55	59	62	66	70	74	77
6.5	47	50	53	56	60	63	67	71	75	79
6.6	47	50	54	57	61	64	68	72	76	80
6.7	48	51	55	58	62	65	69	73	77	81
6.8	49	52	55	59	63	66	70	74	78	82
6.9	49	53	56	60	63	67	71	75	79	83
7.0	50	54	57	61	64	68	72	76	80	85
7.1	51	54	58	62	65	69	73	77	81	86
7.2	52	55	59	62	66	70	74	78	82	87
7.3	52	56	59	63	67	71	75	79	83	88
7.4	53	57	60	64	68	72	76	80	84	89
7.5	54	57	61	65	69	73	77	81	85	90
7.6	54	58	62	66	70	74	78	82	86	91
7.7	55	59	63	67	71	75	79	83	87	92
7.8	56	60	64	68	72	76	80	84	88	93
7.9	57	60	64	68	73	77	81	85	89	94
8.0	57	61	65	69	74	78	82	86	90	95
8.1	58	62	66	70	74	79	83	87	91	96
8.2	59	63	67	71	75	80	84	88	92	97
8.3	59	63	68	72	76	81	85	89	93	98
8.4	60	64	68	73	77	82	86	90	94	99
8.5	61	65	69	74	78	83	87	91	95	100
8.6	62	66	70	74	79	84	88	92	96	101
8.7	62	67	71	75	80	85	89	93	97	102
8.8	63	67	72	76	81	86	90	94	98	103
8.9	64	68	72	77	82	87	91	95	99	104
9.0	64	69	73	78	83	88	92	96	100	105
9.1	65	70	74	79	84	89	93	97	101	106
9.2	66	70	75	80	85	90	94	98	102	107
9.3	67	71	76	81	86	91	95	99	103	108
9.4	67	72	77	81	86	91	95	99	103	108
9.5	68	73	77	82	87	92	96	100	104	109
9.6	69	73	78	83	88	93	97	101	105	110
9.7	69	74	79	84	89	94	98	102	106	111
9.8	70	75	80	85	90	95	99	103	107	112
9.9	71	76	81	86	91	96	100	104	108	113
10.0	71	76	81	86	91	96	100	104	108	114

TABLE 2. A. VOLUME OF ROUNDWOOD TIMBER

Girth(m) Diameter (m) Length (m)	Volume in cubic decimetres										
	0.40	0.41	0.42	0.43	0.44	0.45	0.46	0.47	0.48	0.49	
1.0	13	13	14	15	15	16	17	18	18	19	
1.1	14	15	15	16	17	18	19	19	20	21	
1.2	15	16	17	18	19	20	20	21	22	23	
1.3	17	17	18	19	20	21	22	23	24	25	
1.4	18	19	20	21	22	23	24	25	26	27	
1.5	19	20	21	22	23	24	25	26	27	29	
1.6	20	21	22	23	24	25	26	27	28	31	
1.7	22	23	24	25	26	27	29	30	31	32	
1.8	23	24	25	26	28	29	30	32	33	34	
1.9	24	25	27	28	29	31	32	33	35	36	
2.0	25	27	28	29	31	32	34	35	37	38	
2.1	27	28	29	31	32	34	35	37	38	40	
2.2	28	29	31	32	34	35	37	39	40	42	
2.3	29	31	32	34	35	37	39	40	42	44	
2.4	31	32	34	35	37	39	40	42	44	46	
2.5	32	33	35	37	38	40	42	44	46	48	
2.6	33	35	36	38	40	42	44	46	48	50	
2.7	34	36	38	40	42	44	46	48	50	52	
2.8	36	37	39	41	43	45	47	49	51	53	
2.9	37	39	41	43	45	47	49	51	53	55	
3.0	38	40	42	44	46	48	50	53	55	57	
3.1	39	41	43	45	47	49	51	53	55	57	
3.2	41	43	45	47	49	51	53	56	58	61	
3.3	42	44	46	48	50	52	54	56	59	61	
3.4	43	45	48	50	52	55	57	60	62	65	
3.5	45	47	49	51	54	56	59	62	64	67	
3.6	46	48	51	53	55	58	61	63	66	69	
3.7	47	49	52	54	57	60	62	65	68	71	
3.8	48	51	53	56	59	61	64	67	70	73	
3.9	50	52	55	57	60	63	66	69	71	74	
4.0	51	53	56	59	62	65	68	71	74	77	
4.1	52	55	58	61	64	67	70	73	76	79	
4.2	53	56	59	62	65	68	71	74	77	80	
4.3	55	57	60	63	66	69	72	76	79	82	
4.4	56	59	62	65	68	71	74	77	81	84	
4.5	57	60	63	66	69	72	76	79	82	86	
4.6	59	62	65	68	71	74	77	81	84	88	
4.7	60	63	66	69	72	76	79	82	86	89	
4.8	61	64	67	71	74	77	81	84	88	92	
4.9	62	66	69	72	75	79	82	86	90	94	
5.0	64	67	70	74	77	81	84	88	92	95	
5.1	65	68	72	75	79	82	86	90	93	97	
5.2	66	70	73	76	80	84	88	91	95	99	
5.3	67	71	74	78	82	85	89	93	97	101	
5.4	69	72	76	79	83	87	91	95	99	103	
5.5	71	74	78	82	86	90	94	99	103	107	
5.6	72	76	79	83	87	91	95	99	103	107	
5.7	73	77	80	84	88	92	96	100	104	108	
5.8	74	78	81	85	89	93	97	101	105	109	
5.9	75	79	82	86	90	94	98	102	106	110	
6.0	76	80	83	87	91	95	99	103	107	111	
6.1	77	81	84	88	92	96	100	104	108	112	
6.2	78	82	85	89	93	97	101	105	109	113	
6.3	79	83	86	90	94	98	102	106	110	114	
6.4	80	84	87	91	95	99	103	107	111	115	
6.5	81	85	88	92	96	100	104	108	112	116	
6.6	82	86	89	93	97	101	105	109	113	117	
6.7	83	87	90	94	98	102	106	110	114	118	
6.8	84	88	91	95	99	103	107	111	115	119	
6.9	85	89	92	96	100	104	108	112	116	120	
7.0	86	90	93	97	101	105	109	113	117	121	
7.1	87	91	94	98	102	106	110	114	118	122	
7.2	88	92	95	99	103	107	111	115	119	123	
7.3	89	93	96	100	104	108	112	116	120	124	
7.4	90	94	97	101	105	109	113	117	121	125	
7.5	91	95	98	102	106	110	114	118	122	126	
7.6	92	96	99	103	107	111	115	119	123	127	
7.7	93	97	100	104	108	112	116	120	124	128	
7.8	94	98	101	105	109	113	117	121	125	129	
7.9	95	99	102	106	110	114	118	122	126	130	
8.0	96	100	103	107	111	115	119	123	127	131	
8.1	97	101	104	108	112	116	120	124	128	132	
8.2	98	102	105	109	113	117	121	125	129	133	
8.3	99	103	106	110	114	118	122	126	130	134	
8.4	100	104	107	111	115	119	123	127	131	135	
8.5	101	105	108	112	116	120	124	128	132	136	
8.6	102	106	109	113	117	121	125	129	133	137	
8.7	103	107	110	114	118	122	126	130	134	138	
8.8	104	108	111	115	119	123	127	131	135	139	
8.9	105	109	112	116	120	124	128	132	136	140	
9.0	106	110	113	117	121	125	129	133	137	141	
9.1	107	111	114	118	122	126	130	134	138	142	
9.2	108	112	115	119	123	127	131	135	139	143	
9.3	109	113	116	120	124	128	132	136	140	144	
9.4	110	114	117	121	125	129	133	137	141	145	
9.5	111	115	118	122	126	130	134	138	142	146	
9.6	112	116	119	123	127	131	135	139	143	147	
9.7	113	117	120	124	128	132	136	140	144	148	
9.8	114	118	121	125	129	133	137	141	145	149	
9.9	115	119	122	126	130	134	138	142	146	150	
10.0	116	120	123	127	131	135	139	143	147	151	
10.1	117	121	124	128	132	136	140	144	148	152	
10.2	118	122	125	129	133	137	141	145	149	153	
10.3	119	123	126	130	134	138	142	146	150	154	
10.4	120	124	127	131	135	139	143	147	151	155	
10.5	121	125	128	132	136	140	144	148	152	156	
10.6	122	126	129	133	137	141	145	149	153	157	
10.7	123	127	130	134	138	142	146	150	154	158	
10.8	124	128	131	135	139	143	147	151	155	159	
10.9	125	129	132	136	140	144	148	152	156	160	
11.0	126	130	133	137	141	145	149	153	157	161	
11.1	127	131	134	138	142	146	150	154	158	162	
11.2	128	132	135	139	143	147	151	155	159	163	
11.3	129	133	136	140	144	148	152	156	160	164	
11.4	130	134	137	141	145	149	153	157	161	165	
11.5	131	135	138	142	146	150	154	158	162	166	
11.6	132	136	139	143	147	151	155	159	163	167	
11.7	133	137	140	144	148	152	156	160	164	168	
11.8	134	138	141	145	149	153	157	161	165	169	
11.9	135	139	142	146	150	154	158	162	166	170	
12.0	136	140	143	147	151	155	159	163	167	171	
12.1	137	141	144	148	152	156	160	164	168	172	
12.2	138	142	145	149	153	157	161	165	169	173	
12.3	139	143	146	150	154	158	162	166	170	174	
12.4	140	144	147	151	155	159	163	167	171	175	
12.5	141	145	148	152	156	160	164	168	172	176	
12.6	142	146	149	153	157	161	165	169	173	177	
12.7	143	147	150	154	158	162	166	170	174	178	
12.8	144	148	151	155	159	163	167	171	175	179	
12.9	145	149	152	156	160	164	168	172	176	180	
13.0	146	150	153	157	161	165	169	173	177	181	

TABLE 2. B. VOLUME OF ROUNDWOOD TIMBER

Mid Girth(m) Diameter (m) Length (m)	Volume in cubic decimetres										
	0.40	0.41	0.42	0.43	0.44	0.45	0.46	0.47	0.48	0.49	
5.5	70	74	77	81	85	89	93	97	101	105	
5.6	71	75	79	82	86	90	94	98	102	106	
5.7	73	76	80	84	88	92	96	100	104	108	
5.8	74	78	81	85	89	93	97	101	105	109	
5.9	75	79	83	87	91	95	99	103	107	111	
6.0	76	80	84	88	92	96	100	104	108	112	
6.1	78	82	86	90	94	98	102	106	110	114	
6.2	79	83	87	91	95	99	103				

TABLE 3. A. VOLUME OF ROUNDWOOD TIMBER

Length (m)	Volume in cubic decimetres									
	0.50	0.51	0.52	0.53	0.54	0.55	0.56	0.57	0.58	0.59
0	20	21	22	22	23	24	25	26	27	28
1	22	23	24	25	26	27	27	28	29	30
2	24	25	26	27	28	29	30	31	32	33
3	26	27	28	29	30	31	32	34	35	36
4	28	29	30	31	32	34	35	36	37	39
5	30	31	32	34	35	36	37	39	40	42
6	32	33	34	36	37	38	40	41	43	44
7	34	35	37	38	39	41	42	44	45	47
8	36	37	39	40	42	43	45	47	48	50
9	38	39	41	42	44	46	47	49	51	53
10	40	41	43	45	46	48	50	52	54	55
11	42	43	45	47	49	51	52	54	56	58
12	44	46	48	49	51	53	55	57	59	61
13	46	48	49	51	53	55	57	59	62	64
14	48	50	52	54	56	58	60	62	64	66
15	50	52	54	56	58	60	62	65	67	69
16	52	54	56	58	60	63	65	67	70	72
17	54	56	58	60	63	65	67	70	72	75
18	56	58	60	63	65	67	70	72	75	78
19	58	60	62	65	67	70	72	75	78	80
20	60	62	65	67	70	72	75	78	80	83
21	62	64	67	69	72	75	77	80	83	86
22	64	66	69	72	74	77	80	83	86	89
23	66	68	71	74	77	79	82	85	88	91
24	68	70	73	76	79	82	85	88	91	94
25	70	72	75	78	81	84	87	90	94	97
26	72	74	77	80	84	87	90	93	96	100
27	74	77	80	83	86	89	92	96	98	102
28	76	79	82	85	88	91	95	98	102	105
29	78	81	84	87	90	94	97	101	104	108
30	80	83	86	89	93	96	100	103	107	111
31	82	85	88	92	95	99	102	106	110	114
32	84	87	90	94	97	101	105	109	112	116
33	86	89	92	96	100	103	107	111	115	119
34	87	91	95	98	102	106	110	114	118	122
35	89	93	97	101	104	108	112	116	120	125
36	91	95	99	103	107	111	115	119	123	127
37	93	97	101	105	109	113	117	121	126	130
38	95	99	103	107	111	115	120	124	128	133
39	97	101	105	109	114	118	122	127	131	136
40	99	103	108	112	116	120	125	129	134	138
41	101	106	110	114	118	123	127	132	136	141
42	103	108	112	116	121	125	130	134	139	144
43	105	110	114	118	123	128	132	137	142	147
44	107	112	116	121	125	130	135	140	144	150

TABLE 3. B. VOLUME OF ROUNDWOOD TIMBER

Length (m)	Volume in cubic decimetres									
	0.50	0.51	0.52	0.53	0.54	0.55	0.56	0.57	0.58	0.59
5	109	114	118	123	128	132	137	142	147	152
6	111	116	120	125	130	135	140	145	150	155
7	113	118	123	127	132	137	142	147	153	158
8	115	120	125	130	135	140	145	150	155	161
9	117	122	127	132	137	142	147	152	158	163
10	119	124	129	134	139	144	150	155	161	166
11	121	126	131	136	141	147	152	158	163	169
12	123	128	133	139	144	149	155	160	166	172
13	125	130	136	141	146	152	157	163	169	174
14	127	132	138	143	148	154	160	165	171	177
15	129	134	140	145	151	156	162	168	174	180
16	131	137	142	147	153	159	165	171	177	183
17	133	139	144	150	155	161	167	173	179	186
18	135	141	146	152	158	164	170	176	182	188
19	137	143	148	154	160	166	172	178	185	191
20	139	145	151	156	162	168	175	181	187	194
21	141	147	153	159	165	171	177	183	190	197
22	143	149	155	161	167	173	180	186	193	199
23	145	151	157	163	169	176	182	189	195	202
24	147	153	159	165	172	178	185	191	198	205
25	149	155	161	168	174	181	187	194	201	208
26	151	157	163	170	176	183	190	196	203	210
27	153	159	166	172	179	185	192	199	206	213
28	155	161	168	174	181	188	195	202	209	216
29	157	163	170	177	183	190	197	204	211	219
30	159	166	172	179	186	192	200	207	214	222
31	161	168	174	181	188	195	202	209	217	224
32	163	170	176	183	190	197	205	212	219	227
33	165	172	179	185	193	200	207	215	222	230
34	167	174	181	188	195	202	210	217	225	233
35	169	176	183	190	197	205	212	220	227	235
36	171	178	185	192	199	207	215	222	230	238
37	173	180	187	194	202	209	217	225	233	241
38	175	182	189	197	204	212	220	227	235	244
39	177	184	191	199	206	214	222	230	238	246
40	179	186	194	201	209	217	225	233	241	249
41	181	188	196	203	211	219	227	235	244	252
42	183	190	198	206	213	221	229	238	246	255
43	185	192	200	208	216	224	232	240	249	258
44	187	194	202	210	218	226	234	243	252	260
45	189	197	204	212	220	229	237	246	254	263
46	191	199	206	215	223	231	239	248	256	266
47	193	201	209	217	225	233	242	251	260	269
48	195	203	211	219	227	236	244	253	262	271
49	197	205	213	221	229	238	247	256	265	274

TABLE 4 A. VOLUME OF ROUNDWOOD TIMBER

Girth(m) Diameter (m) Length (m)	Volume in cubic decimetres										
	0.60	0.61	0.62	0.63	0.64	0.65	0.66	0.67	0.68	0.69	0.70
1.0	29	30	31	32	33	34	35	36	37	38	
1.1	31	33	34	35	36	37	38	39	40	42	
1.2	34	36	37	38	39	40	42	43	44	45	
1.3	37	38	40	41	42	44	45	46	48	49	
1.4	40	41	43	44	46	47	49	50	51	53	
1.5	43	44	46	47	49	50	52	54	55	57	
1.6	46	47	49	51	52	54	55	57	59	61	
1.7	49	50	52	54	55	57	59	61	63	64	
1.8	52	53	55	57	59	60	62	64	66	68	
1.9	54	56	58	60	62	64	66	68	70	72	
2.0	57	59	61	63	65	67	69	71	74	76	
2.1	60	62	64	66	68	71	73	75	77	80	
2.2	63	65	67	69	72	74	76	79	81	83	
2.3	66	68	70	73	75	77	80	82	85	87	
2.4	69	71	73	76	78	81	83	86	88	91	
2.5	72	74	76	79	81	84	87	89	92	95	
2.6	74	77	80	82	85	87	90	93	96	98	
2.7	77	80	83	86	88	91	94	96	99	102	
2.8	80	83	86	88	91	94	97	100	103	106	
2.9	83	86	89	92	94	97	100	104	107	110	
3.0	86	89	92	95	98	101	104	107	110	114	
3.1	89	92	95	98	101	104	107	111	114	117	
3.2	92	95	98	101	104	108	111	114	118	121	
3.3	94	98	101	104	108	111	114	118	121	125	
3.4	97	101	104	107	111	114	118	121	125	129	
3.5	100	104	107	111	114	118	121	125	129	133	
3.6	103	107	110	114	117	121	125	129	132	136	
3.7	106	110	113	117	121	124	128	132	136	140	
3.8	109	112	116	120	124	128	132	136	140	144	
3.9	112	115	119	123	127	131	135	139	143	148	
4.0	115	118	122	126	130	134	139	143	147	151	
4.1	117	121	125	129	134	138	142	146	151	155	
4.2	120	124	128	133	137	141	146	150	154	159	
4.3	123	127	131	136	140	145	149	154	158	163	
4.4	126	130	135	139	143	148	152	157	162	167	
4.5	129	133	138	142	147	151	156	161	166	170	
4.6	132	136	141	145	150	155	159	164	169	174	
4.7	135	139	144	148	153	158	163	168	173	178	
4.8	137	142	147	152	156	161	166	171	177	182	
4.9	140	145	150	155	160	165	170	175	180	186	
5.0	143	148	153	158	163	168	173	179	184	189	
5.1	146	151	156	161	166	171	177	182	188	193	
5.2	149	154	159	164	169	175	180	186	191	197	
5.3	152	157	162	167	173	178	184	189	195	201	
5.4	155	160	165	170	176	181	187	193	199	205	

TABLE 4 B. VOLUME OF ROUNDWOOD TIMBER

Mid Girth(m) Diameter (m) Length (m)	Volume in cubic decimetres										
	0.60	0.61	0.62	0.63	0.64	0.65	0.66	0.67	0.68	0.69	0.70
5.5	157	163	168	174	179	185	191	196	202	208	
5.6	160	166	171	177	182	188	194	200	206	212	
5.7	163	169	174	180	186	192	198	204	210	216	
5.8	166	172	177	183	189	195	201	207	213	220	
5.9	169	175	180	186	192	198	204	211	217	223	
6.0	172	178	183	189	195	202	208	214	221	227	
6.1	175	181	187	193	199	205	211	218	224	231	
6.2	178	184	190	196	202	208	215	221	228	235	
6.3	180	186	193	199	205	212	218	225	232	239	
6.4	183	189	196	202	209	215	222	229	236	242	
6.5	186	192	199	205	212	218	225	232	239	246	
6.6	189	195	202	208	215	222	229	236	243	250	
6.7	192	198	205	212	218	225	232	239	246	254	
6.8	195	201	208	215	222	229	236	243	250	258	
6.9	198	204	211	218	225	232	239	246	254	261	
7.0	200	207	214	221	228	235	243	250	257	265	
7.1	203	210	217	224	231	239	246	254	261	269	
7.2	206	213	220	227	235	242	249	257	265	273	
7.3	209	216	223	230	238	245	253	261	269	276	
7.4	212	219	226	234	241	249	256	264	272	280	
7.5	215	222	229	237	244	252	260	268	276	284	
7.6	218	225	232	240	248	255	263	271	280	288	
7.7	220	228	235	243	251	259	267	275	283	292	
7.8	223	231	239	246	254	262	270	279	287	295	
7.9	226	234	242	249	257	266	274	282	291	299	
8.0	229	237	245	253	261	269	277	286	294	303	
8.1	232	240	248	256	264	272	281	289	298	307	
8.2	235	243	251	259	267	276	284	293	302	311	
8.3	238	246	254	262	270	279	288	296	305	314	
8.4	241	249	257	265	274	282	291	300	309	318	
8.5	243	252	260	268	277	286	295	304	313	322	
8.6	246	255	263	272	280	289	298	307	316	325	
8.7	249	258	266	275	283	292	301	311	320	329	
8.8	252	260	269	278	287	296	305	314	324	333	
8.9	255	263	272	281	290	299	308	318	327	337	
9.0	258	266	275	284	293	302	312	321	331	341	
9.1	261	270	278	287	296	305	315	325	335	345	
9.2	263	272	281	290	300	309	319	329	338	348	
9.3	266	275	284	294	303	313	322	332	342	352	
9.4	269	278	287	297	306	316	326	336	346	356	
9.5	272	281	290	300	310	319	329	339	349	360	
9.6	275	284	294	303	313	323	333	343	353	364	
9.7	278	287	297	306	316	326	336	346	357	367	
9.8	281	290	300	309	319	329	339	349	360	371	
9.9	283	293	303	313	323	333	343	354	364	375	



TABLE 5. A. VOLUME OF ROUNDWOOD TIMBER

Mid Girth(m)	Volume in cubic decimetres									
	0.70	0.71	0.72	0.73	0.74	0.75	0.76	0.77	0.78	0.79
1.0	39	40	41	42	44	45	46	47	48	50
1.1	43	44	45	47	48	49	51	52	53	55
1.2	47	48	49	51	52	54	55	57	58	60
1.3	51	52	54	55	57	58	61	63	65	68
1.4	55	56	58	59	61	63	64	66	68	70
1.5	58	60	62	64	65	67	69	71	73	74
1.6	62	64	66	68	70	72	74	75	77	79
1.7	66	68	70	72	74	76	78	80	82	84
1.8	70	72	74	76	78	81	83	85	87	89
1.9	74	76	78	81	83	85	87	90	92	94
2.0	78	80	82	85	87	89	92	94	97	99
2.1	82	84	87	89	91	94	96	99	102	104
2.2	86	88	91	93	96	98	101	103	106	109
2.3	90	92	95	97	100	103	106	108	111	114
2.4	94	96	99	102	105	107	110	113	116	119
2.5	97	100	103	106	109	112	115	118	121	124
2.6	101	104	107	110	113	116	119	123	126	129
2.7	105	108	111	114	118	121	124	127	131	134
2.8	109	112	115	119	122	125	129	132	136	139
2.9	113	116	120	123	126	130	133	137	140	144
3.0	117	120	124	127	131	134	138	141	145	149
3.1	121	124	128	131	135	139	142	146	150	154
3.2	125	128	132	136	139	143	147	151	155	159
3.3	129	132	136	140	144	148	152	156	160	164
3.4	133	136	140	144	148	152	156	160	165	169
3.5	136	140	144	148	152	157	161	165	169	174
3.6	140	144	148	153	157	161	165	170	174	179
3.7	144	148	153	157	161	166	170	175	179	184
3.8	148	152	157	161	166	170	175	179	184	189
3.9	152	156	161	165	170	175	179	184	189	194
4.0	156	160	165	170	174	179	184	189	194	199
4.1	160	164	169	174	179	183	188	193	198	204
4.2	164	168	173	178	183	188	193	198	203	209
4.3	168	172	177	182	187	192	198	203	208	213
4.4	171	176	181	187	192	197	202	208	213	218
4.5	175	180	186	191	196	201	207	212	218	223
4.6	179	184	190	195	200	206	211	217	223	228
4.7	183	188	194	199	205	210	216	222	227	233
4.8	187	192	198	203	209	215	221	226	232	238
4.9	191	196	202	208	213	219	225	231	237	243
5.0	195	200	206	212	218	224	230	236	242	248
5.1	199	205	210	216	222	228	234	241	247	253
5.2	203	209	214	220	227	233	239	245	252	258
5.3	207	213	219	225	231	237	244	250	256	263
5.4	210	217	223	229	235	242	248	255	261	268

TABLE 5. B. VOLUME OF ROUNDWOOD TIMBER

Mid Girth(m)	Volume in cubic decimetres									
	0.70	0.71	0.72	0.73	0.74	0.75	0.76	0.77	0.78	0.79
1.0	214	221	227	233	240	246	253	259	266	273
1.1	218	225	231	237	244	251	257	264	271	278
1.2	222	229	235	242	248	255	262	269	276	283
1.3	226	233	239	246	253	260	266	274	281	288
1.4	230	237	243	250	257	264	271	278	286	293
1.5	234	241	247	254	261	268	276	283	290	298
1.6	238	245	252	259	266	273	280	288	295	303
1.7	242	249	256	263	270	277	285	292	300	308
1.8	246	253	260	267	274	282	289	297	305	313
1.9	249	257	264	271	279	286	294	302	310	318
2.0	253	261	268	276	283	291	299	307	315	323
2.1	257	265	272	280	287	295	303	311	319	328
2.2	261	269	276	284	292	300	308	316	324	333
2.3	265	273	280	288	296	304	312	321	329	338
2.4	269	277	285	292	301	309	317	325	334	343
2.5	273	281	289	297	305	313	322	330	339	348
2.6	277	285	293	301	309	318	326	335	344	352
2.7	281	289	297	305	314	322	331	340	348	357
2.8	285	293	301	309	318	327	335	344	353	362
2.9	288	297	305	314	322	331	340	349	358	367
3.0	292	301	309	318	327	336	345	354	363	372
3.1	296	305	313	322	331	340	349	358	367	377
3.2	300	309	318	326	335	345	354	363	373	382
3.3	304	313	322	331	340	349	358	368	377	387
3.4	308	317	326	335	344	353	363	373	382	392
3.5	312	321	330	339	348	358	368	377	387	397
3.6	316	325	334	343	353	362	372	382	392	402
3.7	320	329	338	348	357	367	377	387	397	407
3.8	324	333	342	352	362	371	381	391	402	412
3.9	327	337	346	356	366	376	386	396	407	417
4.0	331	341	351	360	370	380	391	401	411	422
4.1	335	345	355	365	375	385	395	406	416	427
4.2	339	349	359	369	379	389	400	410	421	432
4.3	343	353	363	373	383	394	404	415	426	437
4.4	347	357	367	377	388	398	409	420	431	442
4.5	351	361	371	382	392	403	414	424	436	447
4.6	355	365	375	386	396	407	418	429	440	452
4.7	359	369	379	390	401	412	423	434	445	457
4.8	362	373	383	394	405	416	427	439	450	462
4.9	366	377	388	398	409	421	432	443	455	467
5.0	370	381	392	403	414	425	436	448	460	472
5.1	374	385	396	407	418	430	441	453	465	477
5.2	378	389	400	411	423	434	446	457	469	482
5.3	382	393	404	415	427	438	450	462	474	487
5.4	386	397	408	420	431	443	455	467	479	491

TABLE 6 B. VOLUME OF ROUNDWOOD TIMBER

Girth(m) meter (m)	Volume in cubic decimetres									
	0.80	0.81	0.82	0.83	0.84	0.85	0.86	0.87	0.88	0.89
1.0	51	52	53	55	56	57	59	60	62	63
1.1	56	57	59	60	62	63	65	66	68	69
1.2	61	63	64	66	67	69	71	72	74	76
1.3	66	68	70	71	73	75	76	78	80	82
1.4	71	73	75	77	79	80	82	84	86	88
1.5	76	78	80	82	84	86	88	90	92	95
1.6	81	84	86	88	90	92	94	96	99	101
1.7	87	89	91	93	95	98	100	102	105	107
1.8	92	94	96	99	101	103	106	108	111	113
1.9	97	99	102	104	107	109	112	114	117	120
2.0	102	104	107	110	112	115	118	120	123	126
2.1	107	110	112	115	118	121	124	126	129	132
2.2	112	115	118	121	123	126	129	132	136	139
2.3	117	120	123	126	129	132	135	138	142	145
2.4	122	125	128	132	135	138	141	144	148	151
2.5	127	130	134	137	140	144	147	151	154	158
2.6	132	136	139	142	146	149	153	157	160	164
2.7	137	141	144	148	152	155	159	163	166	170
2.8	143	146	150	153	157	161	165	169	172	176
2.9	148	151	155	159	163	167	171	175	179	183
3.0	153	157	160	164	168	172	176	181	185	189
3.1	158	162	166	170	174	178	182	187	191	195
3.2	163	167	171	175	180	184	188	193	197	202
3.3	168	172	177	181	185	190	194	199	203	208
3.4	173	177	182	186	191	195	200	205	209	214
3.5	178	183	187	192	196	201	206	211	216	221
3.6	183	188	193	197	202	207	212	217	222	227
3.7	188	193	198	203	208	213	218	223	228	233
3.8	193	198	203	208	213	218	224	229	234	239
3.9	199	204	209	214	219	224	229	235	240	246
4.0	204	209	214	219	225	230	235	241	246	252
4.1	209	214	219	225	230	236	241	247	253	258
4.2	214	219	225	230	236	241	247	253	259	265
4.3	219	224	230	236	241	247	253	259	265	271
4.4	224	230	235	241	247	253	259	265	271	277
4.5	229	235	241	247	253	259	265	271	277	284
4.6	234	240	246	252	258	264	271	277	283	290
4.7	239	245	251	258	264	270	277	283	290	296
4.8	244	251	257	263	269	276	282	289	296	302
4.9	249	256	262	269	275	282	288	295	302	309
5.0	255	261	267	274	281	287	294	301	308	315
5.1	260	266	273	279	286	293	300	307	314	321
5.2	265	271	278	285	292	299	306	313	320	328
5.3	270	277	283	290	297	305	312	319	326	334
5.4	275	282	289	296	303	310	318	325	333	340

TABLE 6 A. VOLUME OF ROUNDWOOD TIMBER

Girth(m) meter (m)	Volume in cubic decimetres									
	0.80	0.81	0.82	0.83	0.84	0.85	0.86	0.87	0.88	0.89
1.0	280	287	294	301	309	316	324	331	339	347
1.1	285	292	300	307	314	322	329	337	345	353
1.2	290	297	305	312	320	328	335	343	351	359
1.3	295	303	310	318	326	333	341	349	357	365
1.4	300	308	316	323	331	339	347	355	363	372
1.5	305	313	321	329	337	345	353	361	370	378
1.6	311	318	326	334	342	351	359	367	376	384
1.7	316	324	332	340	348	356	364	373	382	391
1.8	321	329	337	345	354	362	371	379	388	397
1.9	326	334	342	351	359	368	377	385	394	403
2.0	331	339	348	356	365	374	382	391	400	410
2.1	336	344	353	362	370	379	388	397	407	416
2.2	341	350	358	367	376	385	394	403	413	422
2.3	346	355	364	373	382	391	400	409	419	428
2.4	351	360	369	378	387	397	406	415	425	435
2.5	356	365	374	384	393	402	412	421	431	441
2.6	361	371	380	389	399	408	418	427	437	447
2.7	367	376	385	395	404	414	424	433	444	454
2.8	372	381	390	400	410	420	429	440	450	460
2.9	377	386	396	406	415	425	435	446	456	466
3.0	382	391	401	411	421	431	441	452	462	473
3.1	387	397	406	416	427	437	447	458	468	479
3.2	392	402	412	422	432	443	453	464	474	485
3.3	397	407	417	427	438	448	459	470	480	491
3.4	402	412	423	433	443	454	465	476	487	498
3.5	407	418	428	438	449	460	471	482	493	504
3.6	412	423	433	444	455	466	477	488	499	510
3.7	417	428	439	449	460	471	482	494	505	517
3.8	423	433	444	455	466	477	488	500	511	523
3.9	428	438	449	460	471	483	494	506	517	529
4.0	433	444	455	466	477	489	500	512	524	536
4.1	438	449	460	471	483	494	506	518	530	542
4.2	443	454	465	477	488	500	512	524	536	548
4.3	448	459	471	482	494	506	518	530	542	554
4.4	453	464	476	488	500	511	524	536	548	561
4.5	458	470	481	493	505	517	529	542	554	567
4.6	463	475	487	499	511	523	535	548	561	573
4.7	468	480	492	504	516	529	541	554	567	580
4.8	473	485	497	510	522	534	547	560	573	586
4.9	479	491	503	515	528	540	553	566	579	592
5.0	484	496	508	521	533	546	559	572	585	599
5.1	489	501	513	526	539	552	565	578	591	605
5.2	494	506	519	532	544	557	571	584	598	611
5.3	499	511	524	537	550	563	577	590	604	617
5.4	504	517	530	543	556	569	582	596	610	624

TABLE 7. A. VOLUME OF ROUNDWOOD TIMBER

Mid Girth(m)	Volume in cubic decimetres									
	0.90	0.91	0.92	0.93	0.94	0.95	0.96	0.97	0.98	0.99
1.0	64	66	67	68	70	72	73	75	76	78
1.1	71	72	74	76	77	79	81	82	84	86
1.2	77	79	81	83	84	86	88	90	92	94
1.3	84	86	88	89	91	93	95	97	99	101
1.4	90	92	94	96	98	101	103	105	107	109
1.5	97	99	101	103	105	108	110	112	115	117
1.6	103	105	108	110	112	115	117	120	122	125
1.7	110	112	114	117	119	122	125	127	130	133
1.8	116	119	121	124	127	129	132	135	138	140
1.9	122	125	128	131	134	136	139	142	145	148
2.0	129	132	135	138	141	144	147	150	153	156
2.1	135	138	141	144	148	151	154	157	160	164
2.2	142	145	148	151	155	158	161	165	168	172
2.3	148	152	155	158	162	165	169	172	176	179
2.4	155	158	162	165	169	172	176	180	183	187
2.5	161	165	168	172	176	179	183	187	191	195
2.6	168	171	175	179	183	187	191	195	199	203
2.7	174	178	182	186	190	194	198	202	206	210
2.8	180	184	189	193	197	201	205	210	214	218
2.9	187	191	195	200	204	208	213	217	222	226
3.0	193	198	202	206	211	215	220	225	229	234
3.1	200	204	209	213	218	223	227	232	237	242
3.2	206	211	215	220	225	230	235	240	244	249
3.3	213	217	222	227	232	237	242	247	252	257
3.4	219	224	229	234	239	244	249	254	260	265
3.5	226	231	236	241	246	251	257	262	267	273
3.6	232	237	242	248	253	258	264	269	275	281
3.7	238	244	249	255	260	266	271	277	283	288
3.8	245	250	256	261	267	273	279	284	290	296
3.9	251	257	263	268	274	280	286	292	298	304
4.0	258	263	269	275	281	287	293	299	306	312
4.1	264	270	276	282	288	294	301	307	313	320
4.2	271	277	283	289	295	302	308	314	321	327
4.3	277	283	290	296	302	309	315	322	329	335
4.4	283	290	296	303	309	316	323	329	336	343
4.5	290	296	303	310	316	323	330	337	344	351
4.6	296	303	310	316	323	330	337	344	351	359
4.7	303	310	316	323	330	337	345	352	359	366
4.8	309	316	323	330	337	345	352	359	367	374
4.9	316	323	330	337	344	352	359	367	374	382
5.0	322	329	337	344	351	359	367	374	382	390
5.1	329	336	343	351	358	366	374	382	390	398
5.2	335	343	350	358	365	373	381	389	397	405
5.3	341	349	357	365	373	380	389	397	405	413
5.4	348	356	364	372	380	388	396	404	413	421

TABLE 7. B. VOLUME OF ROUNDWOOD TIMBER

Mid Girth(m)	Volume in cubic decimetres									
	0.90	0.91	0.92	0.93	0.94	0.95	0.96	0.97	0.98	0.99
1.0	354	362	370	378	387	395	403	412	420	429
1.1	361	369	377	385	394	402	411	419	428	437
1.2	367	375	384	392	401	409	418	427	435	444
1.3	374	382	390	399	408	416	425	434	443	452
1.4	380	389	397	406	415	424	433	442	451	460
1.5	387	395	404	413	422	431	440	449	458	468
1.6	393	402	411	420	429	438	447	457	466	476
1.7	399	408	417	427	436	445	455	464	474	483
1.8	406	415	424	433	443	452	462	472	481	491
1.9	412	422	431	440	450	459	469	479	489	499
2.0	419	428	438	447	457	467	477	486	497	507
2.1	425	435	444	454	464	474	484	494	504	515
2.2	432	441	451	461	471	481	491	501	512	522
2.3	438	448	458	468	478	488	499	509	519	530
2.4	445	455	465	475	485	495	506	516	527	538
2.5	451	461	471	482	492	503	513	524	535	546
2.6	457	468	478	488	499	510	520	531	542	554
2.7	464	474	485	495	506	517	528	539	550	561
2.8	470	481	491	502	513	524	535	546	558	569
2.9	477	487	498	509	520	531	542	554	565	577
3.0	483	494	505	516	527	538	550	561	573	585
3.1	490	501	512	523	534	546	557	569	581	593
3.2	496	507	518	530	541	553	564	576	588	600
3.3	503	514	525	537	548	560	572	584	596	608
3.4	509	520	532	544	555	567	579	591	604	616
3.5	515	527	539	550	562	574	586	599	611	624
3.6	522	534	545	557	569	581	594	606	619	631
3.7	528	540	552	564	576	589	601	614	626	639
3.8	535	547	559	571	583	596	609	621	634	647
3.9	541	553	566	578	590	603	616	629	642	655
4.0	548	560	572	585	597	610	623	636	649	663
4.1	554	566	579	592	604	617	630	644	657	670
4.2	561	573	586	599	611	625	638	651	665	678
4.3	567	580	592	605	619	632	645	659	672	686
4.4	573	586	599	612	626	639	652	666	680	694
4.5	580	593	606	619	633	646	660	674	688	702
4.6	586	599	613	626	640	653	667	681	695	709
4.7	593	606	620	633	647	660	674	689	703	717
4.8	599	613	626	640	654	668	682	696	710	725
4.9	606	619	633	647	661	675	689	704	718	733
5.0	612	626	640	654	668	682	696	711	726	741
5.1	619	632	646	660	675	689	704	719	733	748
5.2	625	639	653	667	682	696	711	726	741	756
5.3	631	646	660	674	689	704	718	733	749	764
5.4	638	652	667	681	696	711	726	741	756	772

TABLE 8 A.

## VOLUME OF ROUNDWOOD TIMBER

Mid Girth(m)	Volume in cubic decimetres									
	1.00	1.01	1.02	1.03	1.04	1.05	1.06	1.07	1.08	1.09
1.0	80	81	83	84	86	88	89	91	93	95
1.1	87	89	91	93	95	96	98	100	102	104
1.2	95	97	100	101	103	105	107	109	111	113
1.3	103	105	108	110	112	114	116	118	121	123
1.4	111	114	116	118	120	123	125	128	130	132
1.5	119	122	124	127	129	132	134	137	139	142
1.6	127	130	132	135	138	140	143	146	148	151
1.7	135	138	141	143	146	149	152	155	158	161
1.8	143	146	149	152	155	158	161	164	167	170
1.9	151	154	157	160	163	167	170	173	176	180
2.0	159	162	166	169	172	175	179	182	185	189
2.1	167	170	174	177	181	184	188	191	195	198
2.2	175	179	182	186	189	193	197	200	204	208
2.3	183	187	190	194	198	202	206	209	213	217
2.4	191	195	199	203	206	210	215	219	223	227
2.5	199	203	207	211	215	219	223	228	232	236
2.6	207	211	215	219	224	228	232	237	241	246
2.7	215	219	223	228	232	237	241	246	250	255
2.8	223	227	232	236	241	246	250	255	260	265
2.9	231	235	240	245	250	254	259	264	269	274
3.0	239	243	248	253	258	263	268	273	278	284
3.1	247	252	257	262	267	272	277	282	288	293
3.2	255	260	265	270	275	281	286	291	297	302
3.3	262	268	273	278	284	289	295	301	306	312
3.4	270	276	281	287	293	298	304	310	315	321
3.5	278	284	290	295	301	307	313	319	325	331
3.6	286	292	298	304	310	316	322	328	334	340
3.7	294	300	306	312	318	324	331	337	343	350
3.8	302	308	314	321	327	333	340	346	353	359
3.9	310	316	323	329	336	342	349	355	362	369
4.0	318	325	331	338	344	351	358	364	371	378
4.1	326	333	339	346	353	360	366	373	380	387
4.2	334	341	348	354	361	368	375	383	390	397
4.3	342	349	356	363	370	377	384	392	399	406
4.4	350	357	364	371	379	386	393	401	408	416
4.5	358	365	372	380	387	395	402	410	418	425
4.6	366	373	381	388	396	403	411	419	427	435
4.7	374	381	389	397	404	412	420	428	436	444
4.8	382	389	397	405	413	421	429	437	445	453
4.9	390	398	406	414	422	430	438	446	455	463
5.0	398	406	414	422	430	438	447	455	464	473
5.1	406	414	422	430	439	447	456	464	473	482
5.2	414	422	430	439	447	456	465	474	482	491
5.3	422	430	439	447	455	465	474	483	492	501
5.4	430	438	447	456	465	474	483	492	501	510

TABLE 8 B.

## VOLUME OF ROUNDWOOD TIMBER

Mid Girth(m)	Volume in cubic decimetres									
	1.00	1.01	1.02	1.03	1.04	1.05	1.06	1.07	1.08	1.09
1.0	437	446	455	464	473	482	492	501	510	520
1.1	445	454	463	473	482	491	501	510	520	529
1.2	453	463	472	481	490	500	509	519	529	539
1.3	461	471	480	489	498	509	518	528	538	548
1.4	469	479	488	498	508	517	527	537	547	558
1.5	477	487	497	506	516	526	536	546	557	567
1.6	485	495	505	515	525	535	545	556	566	576
1.7	493	503	513	523	533	544	554	565	575	586
1.8	501	511	521	532	542	553	563	574	585	595
1.9	509	519	530	540	551	561	572	583	594	605
2.0	517	527	538	549	559	570	581	592	603	614
2.1	525	536	546	557	568	579	590	601	612	624
2.2	533	544	554	565	576	588	599	610	622	633
2.3	541	552	563	574	585	596	608	619	631	643
2.4	549	560	571	582	594	605	617	628	640	652
2.5	557	568	579	591	602	614	626	638	649	662
2.6	565	576	588	599	611	623	635	647	659	671
2.7	573	584	596	608	619	631	644	656	668	680
2.8	581	592	604	616	628	640	652	665	677	690
2.9	589	600	612	624	637	649	661	674	687	699
3.0	597	609	621	633	645	658	670	683	696	709
3.1	605	617	629	641	654	667	679	692	705	718
3.2	612	625	637	650	662	675	688	701	714	728
3.3	620	633	646	658	671	684	697	710	724	737
3.4	628	641	654	667	680	693	706	719	733	747
3.5	636	649	662	675	688	702	715	729	742	756
3.6	644	657	670	684	697	710	724	738	752	766
3.7	652	665	679	692	705	719	733	747	761	775
3.8	660	673	687	700	714	728	742	756	770	784
3.9	668	682	695	709	723	737	751	765	779	794
4.0	676	690	703	717	731	745	760	774	789	803
4.1	684	698	712	726	740	754	769	783	798	813
4.2	692	706	720	734	749	763	778	792	807	822
4.3	700	714	728	743	757	772	787	801	816	832
4.4	708	722	737	751	766	781	795	811	826	841
4.5	716	730	745	760	774	789	804	820	835	851
4.6	724	738	753	768	783	798	813	829	844	860
4.7	732	747	761	776	792	807	822	838	854	869
4.8	740	755	770	785	800	816	831	847	863	879
4.9	748	763	778	793	809	824	840	856	872	888
5.0	756	771	786	802	817	833	849	865	881	898
5.1	764	779	794	810	826	842	858	874	891	907
5.2	772	787	803	819	835	851	867	883	900	917
5.3	780	795	811	827	843	859	876	893	909	926
5.4	787	803	819	835	852	868	885	902	919	936

TABLE 9 A.

## VOLUME OF ROUNDWOOD TIMBER

Girth(m)	1.10	1.11	1.12	1.13	1.14	1.15	1.16	1.17	1.18	1.19	
meter (m)	0.350	0.353	0.356	0.359	0.362	0.365	0.369	0.372	0.375	0.378	
Length (m)	Volume in cubic decimetres										
1.0	96	98	100	102	103	105	107	109	111	113	
1.1	106	108	110	112	114	116	118	120	122	124	
1.2	115	118	120	122	124	126	128	131	133	135	
1.3	125	127	130	132	134	137	139	142	144	146	
1.4	135	137	140	142	145	147	150	152	155	158	
1.5	144	147	150	152	155	158	161	163	166	169	
1.6	154	157	160	163	166	168	171	174	177	180	
1.7	164	167	170	173	176	179	182	185	188	191	
1.8	173	176	180	183	186	189	193	196	199	203	
1.9	183	186	190	193	196	200	203	207	210	214	
2.0	192	196	200	203	207	210	214	218	222	225	
2.1	202	206	210	213	217	221	225	229	233	237	
2.2	212	216	220	223	227	231	235	240	244	248	
2.3	221	225	229	234	238	242	246	250	255	259	
2.4	231	235	239	244	248	252	257	261	266	270	
2.5	241	245	249	254	258	263	268	272	277	282	
2.6	250	255	259	264	269	274	278	283	288	293	
2.7	260	265	269	274	279	284	289	294	299	304	
2.8	269	274	279	284	289	295	300	305	310	315	
2.9	279	284	289	295	300	305	310	316	321	327	
3.0	289	294	299	305	310	316	321	327	332	338	
3.1	298	304	309	315	320	326	332	338	344	349	
3.2	308	314	319	325	331	337	343	348	354	360	
3.3	318	323	329	335	341	347	353	359	366	372	
3.4	327	333	339	345	351	358	364	370	377	383	
3.5	337	343	349	356	362	368	375	381	388	394	
3.6	346	353	359	366	372	379	385	392	399	406	
3.7	356	363	369	376	382	389	396	403	410	417	
3.8	366	372	379	386	393	400	407	414	421	428	
3.9	375	382	389	396	403	410	417	425	432	439	
4.0	385	392	399	406	414	421	428	436	443	451	
4.1	395	402	409	416	424	431	439	446	454	462	
4.2	404	412	419	427	434	442	450	457	465	473	
4.3	414	421	429	437	445	452	460	468	476	484	
4.4	423	431	439	447	455	463	471	479	487	496	
4.5	433	441	449	457	465	473	482	490	498	507	
4.6	443	451	459	467	476	484	492	501	509	518	
4.7	452	461	469	477	486	494	503	512	521	529	
4.8	462	470	479	488	496	505	514	523	532	541	
4.9	472	480	489	498	507	515	524	534	543	552	
5.0	481	490	499	508	517	526	535	544	554	563	
5.1	491	500	509	518	527	537	546	555	565	574	
5.2	500	510	519	528	538	547	557	566	576	585	
5.3	510	519	529	538	548	558	567	577	587	597	
5.4	520	529	539	548	558	568	578	588	598	608	

TABLE 9 B.

## VOLUME OF ROUNDWOOD TIMBER

Mid Girth(m)	1.10	1.11	1.12	1.13	1.14	1.15	1.16	1.17	1.18	1.19	
Diameter (m)	0.350	0.353	0.356	0.359	0.362	0.365	0.369	0.372	0.375	0.378	
Length (m)	Volume in cubic decimetres										
5.5	529	539	549	559	569	579	589	599	609	620	
5.6	539	549	559	569	579	589	599	610	620	631	
5.7	549	559	569	579	589	600	610	621	631	642	
5.8	558	568	579	589	600	610	621	632	642	653	
5.9	568	579	589	599	610	621	632	642	653	665	
6.0	577	588	599	609	620	631	642	653	665	676	
6.1	587	598	609	620	631	642	653	664	676	687	
6.2	597	608	619	630	641	652	664	675	688	700	
6.3	606	617	629	640	651	663	674	686	698	710	
6.4	616	627	639	650	662	673	685	697	709	721	
6.5	626	637	649	660	672	684	696	708	720	732	
6.6	635	647	659	670	682	694	706	719	731	743	
6.7	645	657	669	681	693	705	717	730	742	755	
6.8	654	666	679	691	703	715	728	740	753	766	
6.9	664	676	688	701	713	726	739	751	764	777	
7.0	674	686	698	711	724	736	749	762	775	789	
7.1	683	696	708	721	734	747	760	773	786	800	
7.2	693	706	718	731	744	757	771	784	797	811	
7.3	703	715	728	741	755	768	781	795	809	822	
7.4	712	725	738	752	765	778	792	806	820	834	
7.5	722	735	748	762	775	789	803	817	831	845	
7.6	731	745	758	772	786	800	813	828	842	856	
7.7	741	755	768	782	796	810	824	838	853	867	
7.8	751	764	778	792	806	821	835	849	864	879	
7.9	760	774	788	802	817	831	846	860	875	890	
8.0	770	784	798	813	827	842	856	871	886	901	
8.1	780	794	808	823	837	852	867	882	897	912	
8.2	789	804	818	833	848	863	878	893	908	924	
8.3	799	813	828	843	858	873	888	904	919	935	
8.4	808	823	838	853	868	884	899	915	930	946	
8.5	818	833	848	863	879	894	910	926	941	957	
8.6	828	843	858	874	889	905	921	936	953	969	
8.7	837	853	868	884	899	915	931	947	964	980	
8.8	847	862	878	894	910	926	942	958	975	991	
8.9	857	872	888	904	920	936	953	969	986	1003	
9.0	866	882	898	914	930	947	963	980	997	1014	
9.1	876	892	908	924	941	957	974	991	1008	1025	
9.2	885	902	918	934	951	968	985	1002	1019	1036	
9.3	895	911	928	945	961	978	995	1013	1030	1048	
9.4	905	921	938	955	972	989	1006	1024	1041	1059	
9.5	914	931	948	965	982	999	1017	1034	1052	1070	
9.6	924	941	958	975	992	1010	1028	1045	1063	1081	
9.7	934	951	968	985	1003	1020	1038	1056	1074	1093	
9.8	943	960	978	995	1013	1031	1049	1067	1085	1104	
9.9	953	970	988	1006	1023	1041	1060	1078	1097	1115	

TABLE 10.A. VOLUME OF ROUNDWOOD TIMBER

Mid Girth(m)	Volume in cubic decimetres									
	1.20	1.21	1.22	1.23	1.24	1.25	1.26	1.27	1.28	1.29
Diameter (m)	0.381	0.385	0.388	0.391	0.394	0.397	0.400	0.404	0.407	0.410
Length (m)	Volume in cubic decimetres									
1.0	115	116	118	120	122	124	126	128	130	132
1.1	126	128	130	132	135	137	139	141	143	146
1.2	137	140	142	144	147	149	152	154	156	159
1.3	149	151	154	156	159	162	164	167	169	172
1.4	160	163	166	168	171	174	177	180	182	185
1.5	172	175	178	181	183	186	189	192	195	199
1.6	183	186	189	193	196	199	202	205	209	212
1.7	195	198	201	205	208	211	215	218	222	225
1.8	208	210	213	217	220	224	227	231	235	238
1.9	218	221	225	229	232	236	240	244	248	252
2.0	229	233	237	241	245	249	253	257	261	265
2.1	241	245	249	253	257	261	265	269	274	278
2.2	252	256	260	265	269	273	278	282	287	291
2.3	263	268	272	277	281	286	290	295	300	304
2.4	275	280	284	289	294	298	303	308	313	318
2.5	286	291	296	301	306	311	316	321	326	331
2.6	298	303	308	313	318	323	328	334	339	344
2.7	309	314	320	325	330	336	341	346	352	357
2.8	321	326	332	337	342	348	354	359	365	371
2.9	332	338	343	349	355	360	366	372	378	384
3.0	344	349	355	361	367	373	379	385	391	397
3.1	355	361	367	373	379	385	391	398	404	410
3.2	367	373	379	385	391	398	404	411	417	424
3.3	378	384	391	397	404	410	417	423	430	437
3.4	389	396	403	409	416	423	429	436	443	450
3.5	401	408	414	421	428	435	442	449	455	463
3.6	412	419	426	433	440	447	455	462	469	477
3.7	424	431	438	445	453	460	467	475	482	490
3.8	435	443	450	457	465	472	480	488	495	503
3.9	447	454	462	469	477	485	493	500	508	516
4.0	458	466	474	481	489	497	505	513	521	529
4.1	470	477	485	493	501	510	518	526	534	543
4.2	481	489	497	505	514	522	530	539	547	556
4.3	493	501	509	517	526	534	543	552	560	569
4.4	504	512	521	530	538	547	556	565	573	582
4.5	515	524	533	542	550	559	568	577	586	596
4.6	527	536	545	554	563	572	581	590	600	609
4.7	538	547	556	565	575	584	594	603	613	622
4.8	550	559	568	578	587	597	606	616	626	635
4.9	561	571	580	590	599	609	619	629	639	649
5.0	573	582	592	602	612	621	631	641	652	662
5.1	584	594	604	614	624	634	644	654	665	675
5.2	596	606	616	626	636	646	657	667	678	688
5.3	607	617	627	638	648	659	669	680	691	702
5.4	619	629	639	650	660	671	682	693	704	715

TABLE 10.B. VOLUME OF ROUNDWOOD TIMBER

Mid Girth(m)	Volume in cubic decimetres									
	1.20	1.21	1.22	1.23	1.24	1.25	1.26	1.27	1.28	1.29
Diameter (m)	0.381	0.385	0.388	0.391	0.394	0.397	0.400	0.404	0.407	0.410
Length (m)	Volume in cubic decimetres									
5.5	630	641	651	662	673	684	695	706	717	728
5.6	641	652	663	674	685	696	707	718	730	741
5.7	653	664	675	686	697	708	720	731	743	755
5.8	664	675	687	698	709	721	732	744	756	768
5.9	676	687	699	710	722	733	745	757	769	781
6.0	687	699	710	722	734	746	758	770	782	794
6.1	699	710	722	734	746	758	770	783	795	807
6.2	710	722	734	746	758	771	783	795	808	821
6.3	722	734	746	758	771	783	796	808	821	834
6.4	733	745	758	770	783	795	808	821	834	847
6.5	745	757	770	782	795	808	821	834	847	860
6.6	756	769	781	794	807	820	833	847	860	874
6.7	767	780	793	806	819	833	846	860	874	887
6.8	779	792	805	818	832	845	859	872	886	900
6.9	790	804	817	830	844	858	871	885	899	913
7.0	802	815	829	842	856	870	884	898	912	927
7.1	813	827	841	854	868	882	897	911	925	940
7.2	825	839	852	866	881	895	909	924	938	953
7.3	836	850	864	879	893	907	922	937	951	966
7.4	848	862	876	891	905	920	935	949	964	980
7.5	859	873	888	903	917	932	947	962	977	993
7.6	871	885	900	915	930	945	960	975	990	1006
7.7	882	897	912	927	942	957	972	988	1004	1019
7.8	893	908	923	939	954	969	985	1001	1017	1032
7.9	905	920	935	951	966	982	998	1014	1030	1046
8.0	916	932	947	963	978	994	1010	1026	1043	1059
8.1	928	943	959	975	991	1007	1023	1039	1056	1072
8.2	939	955	971	987	1003	1019	1036	1052	1069	1085
8.3	951	967	983	999	1015	1032	1048	1065	1082	1099
8.4	962	978	995	1011	1027	1044	1061	1078	1095	1112
8.5	974	990	1006	1023	1040	1056	1073	1091	1108	1125
8.6	985	1002	1018	1035	1052	1069	1086	1103	1121	1138
8.7	997	1013	1030	1047	1064	1081	1099	1116	1134	1152
8.8	1008	1025	1042	1059	1076	1094	1111	1129	1147	1165
8.9	1019	1037	1054	1071	1089	1106	1124	1142	1160	1178
9.0	1031	1048	1066	1083	1101	1119	1137	1155	1173	1191
9.1	1042	1060	1077	1095	1113	1131	1149	1168	1186	1205
9.2	1054	1071	1089	1107	1125	1143	1162	1180	1199	1218
9.3	1065	1083	1101	1119	1137	1155	1174	1193	1212	1231
9.4	1077	1095	1113	1131	1150	1168	1187	1206	1225	1244
9.5	1088	1106	1125	1143	1162	1181	1200	1219	1238	1257
9.6	1100	1118	1137	1155	1174	1193	1212	1232	1251	1270
9.7	1111	1130	1148	1167	1186	1205	1225	1245	1264	1283
9.8	1123	1141	1160	1179	1199	1218	1238	1258	1277	1296
9.9	1134	1153	1172	1191	1211	1230	1250	1270	1290	1309

TABLE 11.A. VOLUME OF ROUNDWOOD TIMBER

Mid Girth(m)	Volume in cubic decimetres									
	1.30	1.31	1.32	1.33	1.34	1.35	1.36	1.37	1.38	1.39
1.0	134	137	139	141	143	145	147	149	151	154
1.1	148	150	152	155	157	159	162	164	167	169
1.2	161	164	166	169	171	174	177	179	182	184
1.3	175	177	180	183	186	188	191	194	197	200
1.4	188	191	194	197	200	203	206	209	212	215
1.5	202	205	208	211	214	217	221	224	227	231
1.6	215	218	222	225	229	232	235	239	242	246
1.7	229	232	236	239	242	246	250	254	258	261
1.8	242	246	249	253	257	261	265	269	273	277
1.9	255	259	263	267	271	275	280	284	288	292
2.0	269	273	277	281	286	290	294	299	303	307
2.1	282	287	291	295	300	304	309	314	318	323
2.2	296	300	305	310	314	319	324	328	333	338
2.3	309	314	319	324	329	333	338	343	348	353
2.4	323	328	333	338	343	348	353	358	364	369
2.5	336	341	346	352	357	362	368	373	379	384
2.6	350	355	360	366	371	377	383	388	394	400
2.7	363	369	374	380	386	391	397	403	409	415
2.8	376	382	388	394	400	406	412	418	424	430
2.9	390	396	402	408	414	420	427	433	439	446
3.0	403	410	416	422	428	435	441	448	454	461
3.1	417	423	430	436	443	449	456	463	470	476
3.2	430	437	444	450	457	464	471	478	485	492
3.3	444	450	457	464	471	478	486	493	500	507
3.4	457	464	471	478	486	493	500	508	515	523
3.5	471	478	485	492	500	507	515	523	530	538
3.6	484	491	499	507	514	522	530	537	545	553
3.7	497	505	513	521	528	536	544	552	560	569
3.8	511	519	527	535	543	551	559	567	575	584
3.9	524	532	541	549	557	565	574	582	591	599
4.0	538	546	554	563	571	580	589	597	606	615
4.1	551	560	568	577	586	594	603	612	621	630
4.2	565	573	582	591	600	609	618	627	636	645
4.3	578	587	596	605	614	623	633	642	651	661
4.4	591	601	610	619	628	638	647	657	667	676
4.5	605	614	624	633	643	652	662	672	682	692
4.6	618	628	638	647	657	667	677	687	697	707
4.7	632	642	651	661	671	681	691	702	712	722
4.8	645	655	665	675	686	696	706	717	727	738
4.9	659	669	679	689	700	710	721	732	742	753
5.0	672	683	693	704	714	725	736	746	757	768
5.1	686	696	707	718	728	739	750	761	773	784
5.2	699	710	721	732	743	754	765	776	788	799
5.3	712	723	735	746	757	768	780	791	803	815
5.4	726	737	748	760	771	783	794	806	818	830

TABLE 11.B. VOLUME OF ROUNDWOOD TIMBER

Mid Girth(m)	Volume in cubic decimetres									
	1.30	1.31	1.32	1.33	1.34	1.35	1.36	1.37	1.38	1.39
Diameter (m)	0.413	0.416	0.420	0.423	0.426	0.429	0.432	0.435	0.439	0.442
Length (m)	5.5	5.6	5.7	5.8	5.9	6.0	6.1	6.2	6.3	6.4
5.5	739	751	762	774	786	797	809	821	833	845
5.6	753	764	776	788	800	812	824	836	848	861
5.7	766	778	790	802	814	826	839	851	863	876
5.8	780	792	804	816	828	841	853	866	879	891
5.9	793	805	818	830	843	855	868	881	894	907
6.0	807	819	832	844	857	870	883	896	909	922
6.1	820	833	845	858	871	884	897	911	924	938
6.2	833	846	859	872	886	899	912	926	939	953
6.3	847	860	873	886	900	913	927	941	954	968
6.4	860	874	887	901	914	928	942	956	970	984
6.5	874	887	901	915	928	942	956	970	985	999
6.6	887	901	915	929	943	957	971	985	1000	1014
6.7	901	915	929	943	957	971	986	1000	1015	1030
6.8	914	928	942	957	971	986	1000	1015	1030	1045
6.9	928	942	956	971	986	1000	1015	1030	1045	1060
7.0	941	956	970	985	1000	1015	1030	1045	1060	1076
7.1	954	969	984	999	1014	1029	1044	1059	1075	1091
7.2	968	983	998	1013	1028	1044	1059	1075	1091	1107
7.3	981	997	1012	1027	1043	1058	1074	1090	1106	1122
7.4	995	1010	1026	1041	1057	1073	1089	1105	1121	1137
7.5	1008	1024	1039	1055	1071	1087	1103	1120	1136	1153
7.6	1022	1037	1053	1069	1086	1102	1118	1135	1151	1168
7.7	1035	1051	1067	1083	1100	1116	1133	1150	1166	1183
7.8	1049	1065	1081	1098	1114	1131	1148	1165	1182	1199
7.9	1062	1078	1095	1112	1128	1145	1162	1179	1197	1214
8.0	1075	1092	1109	1126	1143	1160	1177	1194	1212	1230
8.1	1089	1106	1123	1140	1157	1174	1192	1209	1227	1245
8.2	1102	1119	1137	1154	1171	1189	1206	1224	1242	1260
8.3	1116	1133	1150	1168	1186	1203	1221	1239	1257	1276
8.4	1129	1147	1164	1182	1200	1218	1236	1254	1272	1291
8.5	1143	1160	1178	1196	1214	1232	1251	1269	1288	1306
8.6	1156	1174	1192	1210	1228	1247	1265	1284	1303	1322
8.7	1170	1188	1206	1224	1243	1261	1280	1299	1318	1337
8.8	1183	1201	1220	1238	1257	1276	1295	1314	1333	1352
8.9	1196	1215	1234	1252	1271	1290	1309	1329	1348	1368
9.0	1210	1229	1247	1266	1285	1305	1324	1344	1363	1383
9.1	1223	1242	1261	1280	1300	1319	1339	1359	1379	1399
9.2	1237	1256	1275	1295	1314	1334	1354	1374	1394	1414
9.3	1250	1270	1289	1309	1328	1348	1368	1388	1409	1429
9.4	1264	1283	1303	1323	1343	1363	1383	1403	1424	1445
9.5	1277	1297	1317	1337	1357	1377	1398	1418	1439	1460
9.6	1291	1310	1331	1351	1371	1392	1412	1433	1454	1475
9.7	1304	1324	1344	1365	1385	1406	1427	1448	1469	1491
9.8	1317	1338	1358	1379	1400	1421	1442	1463	1485	1506
9.9	1331	1351	1372	1393	1414	1435	1457	1478	1500	1522

TABLE 12 A. VOLUME OF ROUNDWOOD TIMBER

Mid Girth(m)	Volume in cubic decimetres									
	1.40	1.41	1.42	1.43	1.44	1.45	1.46	1.47	1.48	1.49
Diameter (m)	0.445	0.446	0.451	0.455	0.458	0.461	0.464	0.467	0.470	0.474
Length (m)	Volume in cubic decimetres									
1.0	156	158	160	163	165	167	170	172	174	177
1.1	171	174	176	179	181	184	187	189	192	194
1.2	187	190	192	195	198	201	203	206	209	212
1.3	203	206	209	211	214	217	220	223	227	230
1.4	218	221	225	228	231	234	237	241	244	247
1.5	234	237	241	244	247	251	254	258	261	265
1.6	249	253	257	260	264	268	271	275	279	283
1.7	265	269	273	277	284	288	292	296	300	304
1.8	281	285	289	293	297	301	305	309	314	318
1.9	296	300	305	309	313	318	322	327	331	336
2.0	312	316	321	325	330	334	339	344	348	353
2.1	327	332	337	342	346	351	356	361	366	371
2.2	343	348	353	358	363	368	373	378	383	388
2.3	359	364	369	374	379	385	390	395	401	406
2.4	374	380	385	390	396	401	407	413	418	424
2.5	390	395	401	407	412	418	424	430	436	441
2.6	405	411	417	423	429	435	441	447	453	459
2.7	421	427	433	439	445	452	458	464	470	477
2.8	437	443	449	455	462	468	475	481	488	494
2.9	452	459	465	472	478	485	492	498	505	512
3.0	468	474	481	488	495	502	509	516	523	530
3.1	483	490	497	504	511	518	526	533	540	547
3.2	499	506	513	521	528	535	543	550	558	565
3.3	514	522	529	537	544	552	560	567	575	583
3.4	530	538	545	553	561	569	577	584	592	600
3.5	546	554	561	569	577	585	593	602	610	618
3.6	561	569	577	586	594	602	610	619	627	636
3.7	577	585	593	602	610	619	627	636	645	653
3.8	592	601	610	618	627	636	644	653	662	671
3.9	608	617	626	634	643	652	661	670	680	689
4.0	624	633	642	651	660	669	678	688	697	706
4.1	639	648	658	667	676	686	695	705	714	724
4.2	655	664	674	683	693	702	712	722	732	742
4.3	670	680	690	699	709	719	729	739	749	759
4.4	686	696	706	716	726	736	746	756	767	777
4.5	702	712	722	732	742	753	763	774	784	795
4.6	717	727	738	748	759	769	780	791	801	812
4.7	733	743	754	765	775	786	797	808	819	830
4.8	748	759	770	781	792	803	814	825	836	848
4.9	764	775	786	797	808	819	831	842	854	865
5.0	780	791	802	813	825	836	848	859	871	883
5.1	795	807	818	830	841	853	865	877	890	901
5.2	811	822	834	846	858	870	882	894	906	918
5.3	826	838	850	862	874	886	899	911	923	936
5.4	842	854	866	878	891	903	916	928	941	954

TABLE 12 B. VOLUME OF ROUNDWOOD TIMBER

Mid Girth(m)	Volume in cubic decimetres									
	1.40	1.41	1.42	1.43	1.44	1.45	1.46	1.47	1.48	1.49
Diameter (m)	0.445	0.448	0.451	0.455	0.458	0.461	0.464	0.467	0.470	0.474
Length (m)	Volume in cubic decimetres									
5.5	857	870	882	895	907	920	933	945	958	971
5.6	873	886	898	911	924	937	950	963	976	989
5.7	889	901	914	927	940	953	966	980	993	1007
5.8	904	917	930	943	957	970	983	997	1011	1024
5.9	920	933	946	960	973	987	1000	1014	1028	1042
6.0	935	949	962	976	990	1003	1017	1031	1045	1060
6.1	951	965	978	992	1006	1020	1034	1049	1063	1077
6.2	967	980	994	1009	1023	1037	1051	1066	1080	1095
6.3	982	996	1010	1025	1039	1054	1068	1083	1098	1113
6.4	998	1012	1027	1041	1056	1070	1085	1100	1115	1130
6.5	1013	1028	1043	1057	1072	1087	1102	1117	1133	1148
6.6	1029	1044	1059	1074	1089	1104	1119	1134	1150	1166
6.7	1045	1060	1075	1090	1105	1121	1136	1152	1167	1183
6.8	1060	1075	1091	1106	1122	1137	1153	1169	1185	1201
6.9	1076	1091	1107	1122	1138	1154	1170	1186	1202	1219
7.0	1091	1107	1123	1139	1155	1171	1187	1203	1220	1236
7.1	1107	1123	1139	1155	1171	1187	1204	1220	1237	1254
7.2	1123	1139	1155	1171	1188	1204	1221	1238	1255	1272
7.3	1138	1154	1171	1187	1204	1221	1238	1255	1272	1289
7.4	1154	1170	1187	1204	1221	1238	1255	1272	1289	1307
7.5	1169	1186	1203	1220	1237	1254	1272	1289	1307	1324
7.6	1185	1202	1219	1236	1254	1271	1289	1306	1324	1342
7.7	1200	1218	1235	1253	1270	1288	1306	1324	1342	1360
7.8	1216	1234	1251	1269	1287	1305	1323	1341	1359	1377
7.9	1232	1249	1267	1285	1303	1321	1340	1358	1376	1395
8.0	1247	1265	1283	1301	1320	1338	1356	1375	1394	1413
8.1	1263	1281	1299	1318	1336	1355	1373	1392	1411	1430
8.2	1278	1297	1315	1334	1353	1371	1390	1409	1429	1448
8.3	1294	1313	1331	1350	1369	1388	1407	1427	1446	1466
8.4	1310	1328	1347	1366	1386	1405	1424	1444	1464	1483
8.5	1325	1344	1363	1383	1402	1422	1441	1461	1481	1501
8.6	1341	1360	1379	1399	1419	1438	1458	1478	1498	1519
8.7	1356	1376	1395	1415	1435	1455	1475	1495	1516	1536
8.8	1372	1392	1411	1431	1452	1472	1492	1513	1533	1554
8.9	1388	1407	1428	1448	1468	1488	1509	1529	1551	1572
9.0	1403	1423	1444	1464	1485	1505	1526	1547	1568	1589
9.1	1419	1439	1460	1480	1501	1522	1543	1564	1586	1607
9.2	1434	1455	1476	1496	1517	1539	1560	1581	1603	1625
9.3	1450	1471	1492	1513	1534	1555	1577	1599	1620	1642
9.4	1466	1487	1508	1529	1550	1572	1594	1616	1638	1660
9.5	1481	1502	1524	1545	1567	1589	1611	1633	1655	1678
9.6	1497	1518	1540	1562	1583	1606	1628	1650	1673	1695
9.7	1512	1534	1556	1578	1600	1622	1645	1667	1690	1713
9.8	1528	1550	1572	1594	1616	1639	1662	1685	1708	1731
9.9	1543	1566	1588	1610	1633	1656	1679	1702	1725	1748



TABLE 13 A. VOLUME OF ROUNDWOOD TIMBER

Mid Girth(m)	Volume in cubic decimetres										
	1.50	1.51	1.52	1.53	1.54	1.55	1.56	1.57	1.58	1.59	
Diameter (m)	0.477	0.480	0.483	0.486	0.490	0.493	0.496	0.499	0.502	0.505	
Length (m)											
1.0	179	181	184	186	189	191	194	196	199	201	
1.1	197	200	202	205	208	210	213	216	218	221	
1.2	215	218	221	223	226	229	232	235	238	241	
1.3	233	236	239	242	245	248	252	255	258	261	
1.4	251	254	257	261	264	268	271	275	278	282	
1.5	268	272	276	279	283	287	290	294	298	302	
1.6	286	290	294	298	302	306	310	314	318	322	
1.7	304	308	312	317	321	325	329	333	338	342	
1.8	322	326	331	335	340	344	348	353	357	362	
1.9	340	345	349	354	358	363	368	373	377	382	
2.0	358	363	368	372	377	382	387	392	397	402	
2.1	376	381	386	391	396	401	407	412	417	422	
2.2	394	399	404	410	415	420	426	431	437	442	
2.3	412	417	423	428	434	440	445	451	457	463	
2.4	430	435	441	447	453	459	465	471	477	483	
2.5	447	453	459	466	472	478	484	490	496	503	
2.6	465	472	478	484	490	497	503	510	516	523	
2.7	483	490	496	503	509	516	523	529	536	543	
2.8	501	508	515	521	528	535	542	549	556	563	
2.9	519	526	533	540	547	554	561	569	576	583	
3.0	537	544	551	559	566	573	581	588	596	603	
3.1	555	562	570	577	585	592	600	608	616	623	
3.2	573	580	588	596	604	612	619	627	635	644	
3.3	591	599	606	614	623	631	639	647	655	664	
3.4	609	617	625	633	641	650	658	667	675	684	
3.5	626	635	643	652	660	669	678	686	695	704	
3.6	644	653	662	670	679	688	697	706	715	724	
3.7	662	671	680	689	698	707	716	725	735	744	
3.8	680	689	698	708	717	726	736	745	755	764	
3.9	698	707	717	726	736	745	755	765	774	784	
4.0	716	725	735	745	755	764	774	784	794	804	
4.1	734	744	754	763	773	784	794	804	814	825	
4.2	752	762	772	782	792	803	813	824	834	845	
4.3	770	780	790	801	811	822	832	843	854	865	
4.4	787	798	809	819	830	841	852	863	874	885	
4.5	805	816	827	838	849	860	871	882	894	905	
4.6	823	834	845	857	868	879	890	902	913	925	
4.7	841	852	864	875	887	898	910	922	933	945	
4.8	859	871	882	894	906	917	929	941	953	965	
4.9	877	889	901	912	924	936	949	961	973	985	
5.0	895	907	919	931	943	956	968	980	993	1005	
5.1	913	925	937	950	962	975	987	1000	1013	1026	
5.2	931	943	956	968	981	994	1007	1020	1033	1046	
5.3	949	961	974	987	1000	1013	1026	1039	1052	1066	
5.4	966	979	992	1006	1019	1032	1045	1059	1072	1086	

TABLE 13 B. VOLUME OF ROUNDWOOD TIMBER

Mid Girth(m)	Volume in cubic decimetres										
	1.50	1.51	1.52	1.53	1.54	1.55	1.56	1.57	1.58	1.59	
Diameter (m)	0.477	0.480	0.483	0.486	0.490	0.493	0.496	0.499	0.502	0.505	
Length (m)											
5.5	984	998	1011	1024	1038	1051	1065	1078	1092	1106	
5.6	1002	1016	1029	1043	1056	1070	1084	1098	1112	1126	
5.7	1020	1034	1048	1061	1075	1089	1103	1118	1132	1146	
5.8	1038	1052	1066	1080	1094	1108	1123	1137	1152	1166	
5.9	1056	1070	1084	1099	1113	1128	1142	1157	1172	1186	
6.0	1074	1088	1103	1117	1132	1147	1161	1176	1191	1207	
6.1	1092	1106	1121	1136	1151	1166	1181	1196	1211	1227	
6.2	1110	1125	1139	1154	1170	1185	1200	1216	1231	1247	
6.3	1128	1143	1158	1173	1188	1204	1220	1235	1251	1267	
6.4	1145	1161	1176	1192	1207	1223	1239	1255	1271	1287	
6.5	1163	1179	1195	1210	1226	1242	1258	1274	1291	1307	
6.6	1181	1197	1213	1229	1245	1261	1278	1294	1311	1327	
6.7	1199	1215	1231	1248	1264	1280	1297	1314	1330	1347	
6.8	1217	1233	1250	1266	1283	1300	1316	1333	1350	1367	
6.9	1235	1251	1268	1285	1302	1319	1336	1353	1370	1388	
7.0	1253	1270	1286	1303	1321	1338	1355	1373	1390	1408	
7.1	1271	1288	1305	1322	1339	1357	1374	1392	1410	1428	
7.2	1289	1306	1323	1341	1358	1376	1394	1412	1430	1448	
7.3	1307	1324	1342	1360	1378	1395	1413	1431	1450	1468	
7.4	1324	1342	1360	1378	1396	1414	1433	1451	1469	1488	
7.5	1342	1360	1378	1397	1415	1433	1452	1471	1489	1508	
7.6	1360	1378	1397	1415	1434	1452	1471	1490	1509	1528	
7.7	1378	1397	1415	1434	1453	1472	1491	1510	1529	1548	
7.8	1396	1415	1433	1452	1471	1491	1510	1529	1548	1569	
7.9	1414	1433	1452	1471	1490	1510	1529	1549	1569	1589	
8.0	1432	1451	1470	1490	1509	1529	1549	1569	1589	1609	
8.1	1450	1469	1489	1508	1528	1548	1568	1588	1608	1629	
8.2	1468	1487	1507	1527	1547	1567	1587	1607	1628	1649	
8.3	1486	1505	1525	1546	1566	1586	1607	1627	1648	1669	
8.4	1503	1524	1544	1564	1584	1605	1626	1647	1668	1689	
8.5	1521	1542	1562	1583	1604	1624	1645	1667	1688	1709	
8.6	1539	1560	1581	1601	1622	1644	1665	1686	1708	1729	
8.7	1557	1578	1599	1620	1641	1663	1684	1706	1728	1750	
8.8	1575	1596	1617	1639	1660	1682	1704	1725	1747	1770	
8.9	1593	1614	1636	1657	1679	1701	1723	1745	1767	1790	
9.0	1611	1632	1654	1676	1698	1720	1742	1765	1787	1810	
9.1	1629	1650	1672	1694	1717	1739	1762	1784	1807	1830	
9.2	1647	1669	1691	1713	1736	1758	1781	1804	1827	1850	
9.3	1664	1687	1709	1732	1754	1777	1800	1823	1847	1870	
9.4	1682	1705	1728	1750	1773	1796	1820	1843	1867	1890	
9.5	1700	1723	1746	1769	1792	1816	1839	1863	1886	1910	
9.6	1718	1741	1764	1788	1811	1835	1858	1882	1906	1931	
9.7	1736	1759	1783	1806	1830	1854	1878	1902	1926	1951	
9.8	1754	1777	1801	1825	1849	1873	1897	1922	1946	1971	
9.9	1772	1796	1819	1843	1868	1892	1916	1941	1966	1991	

TABLE 14. A. VOLUME OF ROUNDWOOD TIMBER

Mid Girth(m)	1.60	1.61	1.62	1.63	1.64	1.65	1.66	1.67	1.68	1.69
Diameter (m)	0.509	0.512	0.515	0.518	0.521	0.525	0.528	0.531	0.534	0.537
Length (m)	Volume in cubic decimetres									
1.0	204	206	209	211	214	217	219	222	225	227
1.1	224	227	230	232	235	238	241	244	247	250
1.2	244	247	251	254	257	260	263	266	269	273
1.3	265	268	271	275	278	282	285	288	292	295
1.4	285	289	292	296	300	303	307	311	314	318
1.5	305	309	313	317	321	325	329	333	337	341
1.6	326	330	334	338	342	346	351	355	359	364
1.7	346	351	355	359	364	368	373	377	382	386
1.8	367	371	376	380	385	390	395	399	404	409
1.9	387	392	397	402	406	411	416	422	427	432
2.0	407	412	418	423	428	433	438	444	449	454
2.1	428	433	438	444	449	455	460	466	471	477
2.2	448	454	459	465	471	476	482	488	494	500
2.3	468	474	480	486	492	498	504	510	516	523
2.4	489	495	501	507	513	520	526	532	539	545
2.5	509	515	522	528	535	541	548	555	561	568
2.6	529	536	543	549	556	563	570	577	584	591
2.7	550	557	564	571	578	585	592	599	606	613
2.8	570	577	585	592	599	606	614	621	629	636
2.9	591	598	605	613	620	628	636	643	651	659
3.0	611	619	626	634	642	650	658	666	674	682
3.1	631	639	647	655	663	671	680	688	696	704
3.2	652	660	668	676	685	693	701	710	718	727
3.3	672	680	689	697	705	715	723	732	741	750
3.4	692	701	710	719	727	736	745	754	763	772
3.5	713	722	731	740	749	758	767	776	786	795
3.6	733	742	752	761	770	780	789	799	808	818
3.7	753	763	772	782	792	801	811	821	831	841
3.8	774	784	793	803	813	823	833	843	853	863
3.9	794	804	814	824	834	845	855	865	876	886
4.0	815	825	835	845	856	866	877	887	898	909
4.1	835	845	856	867	877	888	899	910	920	931
4.2	855	866	877	888	899	910	921	932	943	954
4.3	876	887	898	909	920	931	943	954	965	977
4.4	896	907	919	930	941	953	964	976	988	1000
4.5	916	928	939	951	963	975	986	998	1010	1022
4.6	937	948	960	972	984	996	1008	1020	1033	1045
4.7	957	969	981	993	1006	1018	1030	1043	1055	1068
4.8	977	990	1002	1014	1027	1039	1052	1065	1078	1091
4.9	998	1010	1023	1036	1048	1061	1074	1087	1100	1113
5.0	1018	1031	1044	1057	1070	1083	1096	1109	1123	1136
5.1	1039	1052	1065	1078	1091	1104	1118	1131	1145	1159
5.2	1059	1072	1086	1099	1113	1126	1140	1154	1167	1181
5.3	1079	1093	1106	1120	1134	1148	1162	1176	1190	1204
5.4	1100	1113	1127	1141	1155	1169	1184	1198	1212	1227

TABLE 14. B. VOLUME OF ROUNDWOOD TIMBER

Mid Girth(m)	1.60	1.61	1.62	1.63	1.64	1.65	1.66	1.67	1.68	1.69
Diameter (m)	0.509	0.512	0.515	0.518	0.521	0.525	0.528	0.531	0.534	0.537
Length (m)	Volume in cubic decimetres									
5.5	1120	1134	1148	1162	1177	1191	1206	1220	1235	1250
5.6	1140	1155	1169	1184	1198	1213	1227	1242	1257	1272
5.7	1161	1175	1190	1205	1219	1234	1249	1265	1280	1295
5.8	1181	1196	1211	1226	1241	1256	1271	1287	1302	1318
5.9	1201	1217	1232	1247	1262	1278	1293	1309	1325	1340
6.0	1222	1237	1253	1268	1284	1299	1315	1331	1347	1363
6.1	1242	1258	1273	1288	1305	1321	1337	1353	1370	1386
6.2	1263	1278	1294	1310	1326	1343	1359	1375	1392	1409
6.3	1283	1299	1315	1331	1348	1364	1381	1398	1414	1431
6.4	1303	1320	1336	1353	1369	1386	1403	1420	1437	1454
6.5	1324	1340	1357	1374	1391	1408	1425	1442	1459	1477
6.6	1344	1361	1378	1395	1412	1429	1447	1464	1482	1499
6.7	1364	1381	1399	1416	1433	1451	1469	1486	1504	1522
6.8	1385	1402	1420	1437	1455	1473	1491	1509	1527	1545
6.9	1405	1423	1440	1458	1476	1494	1512	1531	1549	1568
7.0	1425	1443	1461	1479	1498	1516	1534	1553	1572	1590
7.1	1446	1464	1482	1501	1519	1538	1556	1575	1594	1613
7.2	1466	1485	1503	1522	1540	1559	1578	1597	1616	1635
7.3	1487	1505	1524	1543	1562	1581	1600	1619	1639	1658
7.4	1507	1525	1545	1564	1583	1603	1622	1642	1661	1681
7.5	1527	1546	1566	1585	1605	1624	1644	1664	1684	1704
7.6	1548	1567	1587	1606	1626	1646	1666	1686	1706	1727
7.7	1568	1588	1607	1627	1647	1668	1688	1708	1729	1749
7.8	1588	1608	1628	1648	1669	1689	1710	1730	1751	1772
7.9	1609	1629	1649	1670	1690	1711	1732	1753	1774	1795
8.0	1629	1650	1670	1691	1712	1732	1754	1775	1796	1818
8.1	1649	1670	1691	1712	1733	1754	1775	1797	1819	1840
8.2	1670	1691	1712	1733	1754	1776	1797	1819	1841	1863
8.3	1690	1711	1732	1754	1776	1797	1819	1841	1863	1886
8.4	1711	1732	1754	1775	1797	1819	1841	1863	1886	1908
8.5	1731	1753	1774	1796	1819	1841	1863	1886	1908	1931
8.6	1751	1773	1795	1818	1840	1862	1885	1908	1931	1954
8.7	1772	1794	1816	1839	1861	1884	1907	1930	1953	1977
8.8	1792	1814	1837	1860	1883	1906	1929	1952	1976	1999
8.9	1812	1835	1858	1881	1904	1927	1951	1974	1998	2022
9.0	1833	1856	1879	1902	1926	1949	1973	1997	2021	2045
9.1	1853	1876	1900	1923	1947	1971	1995	2019	2043	2067
9.2	1873	1897	1921	1944	1968	1992	2017	2041	2065	2090
9.3	1894	1918	1941	1966	1990	2014	2039	2063	2088	2113
9.4	1914	1938	1962	1987	2011	2036	2060	2085	2110	2136
9.5	1935	1959	1983	2008	2032	2057	2082	2108	2133	2158
9.6	1955	1979	2004	2029	2054	2079	2104	2130	2155	2181
9.7	1975	2000	2025	2050	2075	2101	2126	2152	2178	2204
9.8	1996	2021	2046	2071	2097	2122	2148	2174	2200	2226
9.9	2016	2041	2067	2092	2118	2144	2170	2196	2223	2249

TABLE 15 A. VOLUME OF ROUNDWOOD TIMBER

Diameter (m)	Volume in cubic decimetres									
	1.70	1.71	1.72	1.73	1.74	1.75	1.76	1.77	1.78	1.79
1.0	230	233	235	238	241	244	246	249	252	255
1.1	253	256	259	262	265	268	271	274	277	280
1.2	276	279	282	286	289	292	296	299	302	306
1.3	299	302	305	309	313	317	320	324	328	331
1.4	322	326	329	333	337	341	345	349	353	357
1.5	345	349	353	357	361	365	370	374	378	382
1.6	368	372	377	381	385	390	394	399	403	408
1.7	391	395	400	405	409	414	419	424	428	433
1.8	414	419	424	429	433	438	444	449	454	459
1.9	437	442	447	452	458	463	468	473	479	484
2.0	460	465	471	476	482	487	493	498	504	510
2.1	483	488	494	500	506	512	517	523	529	535
2.2	506	512	518	524	530	536	542	548	554	561
2.3	529	535	541	548	554	560	567	573	580	586
2.4	552	558	565	571	578	585	591	598	605	612
2.5	575	581	588	595	602	609	616	623	630	637
2.6	598	605	612	619	626	633	641	648	655	663
2.7	621	628	635	643	650	658	665	673	680	688
2.8	644	651	659	667	674	682	690	698	706	714
2.9	667	675	682	690	698	706	715	723	731	739
3.0	690	698	706	714	722	731	739	748	756	765
3.1	713	721	730	738	747	755	764	773	781	790
3.2	736	744	753	762	771	780	788	797	807	816
3.3	759	768	777	786	795	804	813	822	832	841
3.4	782	791	800	809	819	828	838	847	857	867
3.5	805	814	824	833	843	853	862	872	882	892
3.6	828	837	847	857	867	877	887	897	907	916
3.7	851	861	871	881	891	901	912	922	933	943
3.8	874	884	894	905	915	926	936	947	958	969
3.9	897	907	918	928	939	950	961	972	983	994
4.0	920	930	941	952	963	974	986	997	1008	1019
4.1	943	954	965	976	987	999	1010	1022	1033	1045
4.2	966	977	988	1000	1011	1023	1035	1047	1059	1070
4.3	989	1000	1012	1024	1036	1048	1060	1072	1084	1096
4.4	1011	1023	1035	1048	1060	1072	1084	1097	1109	1121
4.5	1034	1047	1059	1071	1084	1096	1109	1121	1134	1147
4.6	1057	1070	1083	1095	1108	1121	1133	1146	1159	1172
4.7	1080	1093	1106	1119	1132	1145	1158	1171	1185	1198
4.8	1103	1116	1130	1143	1156	1169	1183	1196	1210	1223
4.9	1126	1140	1153	1167	1180	1194	1207	1221	1235	1249
5.0	1149	1163	1177	1190	1204	1218	1232	1246	1260	1274
5.1	1172	1186	1200	1214	1228	1242	1257	1271	1285	1300
5.2	1195	1210	1224	1238	1252	1267	1281	1296	1311	1325
5.3	1218	1233	1247	1262	1276	1291	1306	1321	1336	1351
5.4	1241	1256	1271	1286	1300	1315	1331	1346	1361	1376

TABLE 15 B. VOLUME OF ROUNDWOOD TIMBER

Mid Girth (m)	Volume in cubic decimetres									
	1.70	1.71	1.72	1.73	1.74	1.75	1.76	1.77	1.78	1.79
5.5	1264	1279	1294	1309	1325	1340	1355	1371	1386	1402
5.6	1287	1303	1318	1333	1349	1364	1380	1396	1411	1427
5.7	1310	1326	1341	1357	1373	1389	1404	1420	1437	1453
5.8	1333	1349	1365	1381	1397	1413	1429	1445	1462	1478
5.9	1356	1372	1388	1405	1421	1437	1454	1470	1487	1504
6.0	1379	1396	1412	1428	1445	1462	1478	1495	1512	1529
6.1	1402	1419	1435	1452	1469	1486	1503	1520	1537	1555
6.2	1425	1442	1459	1476	1493	1510	1528	1545	1563	1580
6.3	1448	1465	1483	1500	1517	1535	1552	1570	1588	1606
6.4	1471	1489	1506	1524	1541	1559	1577	1595	1613	1631
6.5	1494	1512	1530	1547	1565	1583	1602	1620	1638	1657
6.6	1517	1535	1553	1571	1589	1608	1626	1645	1663	1682
6.7	1540	1558	1577	1595	1614	1632	1651	1670	1689	1708
6.8	1563	1582	1600	1619	1638	1657	1676	1695	1714	1733
6.9	1586	1605	1624	1643	1662	1681	1700	1720	1739	1759
7.0	1609	1628	1647	1667	1686	1705	1725	1744	1764	1784
7.1	1632	1651	1671	1690	1710	1730	1749	1769	1789	1810
7.2	1655	1675	1694	1714	1734	1754	1774	1794	1815	1835
7.3	1678	1698	1718	1738	1758	1778	1799	1819	1840	1861
7.4	1701	1721	1741	1762	1782	1803	1823	1844	1865	1886
7.5	1724	1744	1765	1786	1806	1827	1848	1869	1890	1912
7.6	1747	1768	1788	1809	1830	1851	1873	1894	1915	1937
7.7	1770	1791	1812	1833	1854	1877	1897	1919	1941	1963
7.8	1793	1814	1836	1857	1878	1900	1922	1944	1966	1988
7.9	1816	1838	1859	1881	1903	1925	1947	1969	1991	2013
8.0	1839	1861	1883	1905	1927	1949	1971	1994	2016	2039
8.1	1862	1884	1906	1928	1951	1973	1996	2019	2041	2064
8.2	1885	1907	1930	1952	1975	1998	2020	2044	2067	2090
8.3	1908	1931	1953	1976	1999	2022	2045	2068	2092	2115
8.4	1931	1954	1977	2000	2023	2046	2070	2093	2117	2141
8.5	1954	1977	2000	2024	2047	2071	2094	2118	2142	2166
8.6	1977	2000	2024	2047	2071	2095	2119	2143	2167	2192
8.7	2000	2024	2047	2071	2095	2119	2144	2168	2193	2217
8.8	2023	2047	2071	2095	2119	2144	2168	2193	2218	2243
8.9	2046	2070	2094	2119	2143	2168	2193	2218	2243	2268
9.0	2069	2093	2118	2143	2167	2192	2218	2243	2268	2294
9.1	2092	2117	2141	2166	2192	2217	2242	2268	2293	2319
9.2	2115	2140	2165	2190	2216	2241	2267	2293	2319	2345
9.3	2138	2163	2189	2214	2240	2266	2292	2318	2344	2370
9.4	2161	2186	2212	2238	2264	2290	2316	2343	2369	2396
9.5	2184	2210	2236	2262	2288	2314	2341	2367	2394	2421
9.6	2207	2233	2259	2285	2312	2339	2365	2392	2420	2447
9.7	2230	2256	2283	2309	2336	2363	2390	2417	2445	2472
9.8	2253	2279	2306	2333	2360	2387	2415	2442	2470	2498
9.9	2276	2303	2330	2357	2384	2412	2439	2467	2495	2523

TABLE 16.A. VOLUME OF ROUNDWOOD TIMBER

Mid Girth(m)	Volume in cubic decimetres									
	1.80	1.81	1.82	1.83	1.84	1.85	1.86	1.87	1.88	1.89
Diameter (m)	0.572	0.575	0.579	0.582	0.585	0.588	0.591	0.595	0.598	0.601
Length (m)	258	261	263	266	269	272	275	278	281	284
1.0	283	287	290	293	296	299	303	306	309	313
1.1	309	313	316	320	323	327	330	334	337	341
1.2	335	339	343	346	350	354	358	362	365	369
1.3	361	365	369	373	377	381	385	389	394	398
1.4	387	391	395	400	404	408	413	417	422	426
1.5	412	417	422	428	431	436	440	445	450	455
1.6	438	443	448	453	458	463	468	473	478	483
1.7	464	469	474	480	485	490	495	501	506	511
1.8	490	495	501	506	512	517	523	529	534	540
1.9	515	521	527	533	539	544	550	556	562	568
2.0	541	547	553	559	566	572	578	584	590	597
2.1	567	573	580	586	592	599	605	612	619	625
2.2	593	599	606	613	619	626	633	640	647	654
2.3	619	625	632	639	646	653	660	668	675	682
2.4	644	651	659	666	673	681	688	695	703	710
2.5	670	678	685	693	700	708	716	723	731	739
2.6	696	704	711	719	727	735	743	751	759	767
2.7	722	730	738	746	754	762	771	779	787	796
2.8	747	756	764	773	781	790	798	807	815	824
2.9	773	782	790	799	808	817	826	834	843	852
3.0	799	808	817	826	835	844	853	862	872	881
3.1	825	834	843	852	862	871	881	890	900	909
3.2	850	860	870	879	889	898	908	918	928	938
3.3	876	886	896	906	916	926	936	946	956	966
3.4	902	912	922	932	943	953	963	974	984	995
3.5	928	938	949	959	970	980	991	1001	1012	1023
3.6	954	964	975	986	996	1007	1018	1029	1040	1051
3.7	979	990	1001	1012	1023	1035	1046	1057	1068	1080
3.8	1005	1016	1028	1039	1050	1062	1074	1085	1096	1108
3.9	1031	1042	1054	1066	1077	1089	1101	1113	1125	1137
4.0	1057	1068	1080	1092	1104	1116	1128	1140	1153	1165
4.1	1082	1095	1107	1119	1131	1143	1156	1168	1181	1193
4.2	1108	1121	1133	1145	1158	1171	1183	1196	1209	1222
4.3	1134	1147	1159	1172	1185	1198	1211	1224	1237	1250
4.4	1160	1173	1186	1199	1212	1225	1238	1252	1265	1279
4.5	1186	1199	1212	1225	1239	1252	1266	1280	1293	1307
4.6	1211	1225	1238	1252	1266	1280	1293	1307	1321	1335
4.7	1237	1251	1265	1279	1293	1307	1321	1335	1349	1364
4.8	1263	1277	1291	1305	1320	1334	1348	1363	1378	1392
4.9	1289	1303	1317	1332	1347	1361	1376	1391	1406	1421
5.0	1314	1329	1344	1359	1373	1388	1403	1419	1434	1449
5.1	1340	1355	1370	1385	1400	1416	1431	1446	1462	1478
5.2	1366	1381	1396	1412	1427	1443	1459	1474	1490	1506
5.3	1392	1407	1423	1439	1454	1470	1486	1502	1518	1534
5.4	1418	1434	1450	1466	1482	1498	1514	1530	1546	1562

TABLE 16.B. VOLUME OF ROUNDWOOD TIMBER

Mid Girth(m)	Volume in cubic decimetres									
	1.80	1.81	1.82	1.83	1.84	1.85	1.86	1.87	1.88	1.89
Diameter (m)	0.572	0.575	0.579	0.582	0.585	0.588	0.591	0.595	0.598	0.601
Length (m)	1417	1433	1449	1465	1481	1497	1514	1530	1546	1563
1.0	1443	1459	1476	1492	1508	1525	1541	1558	1574	1591
1.1	1469	1485	1502	1518	1535	1552	1569	1586	1603	1620
1.2	1495	1511	1528	1545	1562	1579	1596	1613	1631	1648
1.3	1521	1538	1555	1572	1589	1606	1624	1641	1659	1676
1.4	1546	1564	1581	1598	1616	1633	1651	1669	1687	1705
1.5	1572	1590	1607	1625	1643	1661	1679	1697	1715	1733
1.6	1598	1616	1634	1652	1670	1688	1706	1725	1743	1762
1.7	1624	1642	1660	1678	1697	1715	1734	1752	1771	1790
1.8	1649	1668	1686	1705	1724	1742	1761	1780	1799	1819
1.9	1675	1694	1713	1732	1751	1770	1789	1808	1827	1847
2.0	1701	1720	1739	1758	1777	1797	1816	1836	1856	1875
2.1	1727	1746	1765	1785	1804	1824	1844	1864	1884	1904
2.2	1753	1772	1792	1811	1831	1851	1871	1892	1912	1932
2.3	1778	1798	1818	1838	1858	1878	1899	1919	1940	1961
2.4	1804	1824	1844	1865	1885	1906	1926	1947	1968	1989
2.5	1830	1850	1871	1891	1912	1933	1954	1975	1996	2017
2.6	1856	1876	1897	1918	1939	1960	1981	2003	2024	2046
2.7	1881	1902	1923	1945	1966	1987	2009	2031	2052	2074
2.8	1907	1928	1950	1971	1993	2015	2036	2058	2080	2103
2.9	1933	1954	1976	1998	2020	2042	2064	2086	2109	2131
3.0	1959	1981	2002	2025	2047	2069	2091	2114	2137	2159
3.1	1984	2007	2029	2051	2074	2096	2119	2142	2165	2188
3.2	2010	2033	2055	2078	2101	2124	2147	2170	2193	2216
3.3	2036	2059	2082	2104	2128	2151	2174	2197	2221	2245
3.4	2062	2085	2108	2131	2154	2178	2202	2225	2249	2273
3.5	2088	2111	2134	2158	2181	2205	2229	2253	2277	2302
3.6	2113	2137	2161	2184	2208	2232	2257	2281	2305	2330
3.7	2139	2163	2187	2211	2235	2260	2284	2309	2334	2358
3.8	2165	2189	2213	2238	2262	2287	2312	2337	2362	2387
3.9	2191	2215	2240	2264	2289	2314	2339	2364	2390	2415
4.0	2216	2241	2266	2291	2316	2341	2367	2392	2418	2444
4.1	2242	2267	2292	2318	2343	2369	2394	2420	2446	2472
4.2	2268	2293	2319	2344	2370	2396	2422	2448	2474	2500
4.3	2294	2319	2345	2371	2397	2423	2449	2475	2502	2529
4.4	2320	2345	2371	2398	2424	2450	2477	2503	2530	2557
4.5	2345	2371	2398	2424	2451	2477	2504	2531	2558	2586
4.6	2371	2398	2424	2451	2478	2505	2532	2559	2587	2614
4.7	2397	2424	2450	2477	2505	2532	2559	2587	2615	2643
4.8	2423	2450	2477	2504	2532	2559	2587	2615	2643	2671
4.9	2448	2476	2503	2531	2558	2586	2614	2643	2671	2699
5.0	2474	2502	2529	2557	2584	2612	2641	2669	2698	2727
5.1	2500	2528	2556	2584	2612	2641	2669	2698	2727	2756
5.2	2526	2554	2582	2611	2639	2668	2697	2726	2755	2785
5.3	2551	2580	2609	2637	2666	2695	2724	2754	2783	2813
5.4	2577	2606	2635	2664	2693	2722	2751	2780	2810	2840

TABLE 17 A. VOLUME OF ROUNDWOOD TIMBER

Mid Girth(m)	Diameter (m)	Volume in cubic decimetres									
		1.90	1.91	1.92	1.93	1.94	1.95	1.96	1.97	1.98	1.99
1.0	0.604	287	290	293	296	299	302	306	309	312	315
1.1	0.630	316	319	323	326	329	333	336	340	343	347
1.2	0.630	345	348	352	356	359	363	367	370	374	378
1.3	0.630	373	377	381	385	389	393	397	401	405	410
1.4	0.630	402	406	411	415	419	423	428	432	437	441
1.5	0.630	431	435	440	444	449	454	458	463	468	473
1.6	0.630	458	464	469	474	479	484	489	494	499	504
1.7	0.630	489	493	499	504	509	514	519	525	530	536
1.8	0.630	517	522	528	533	539	544	550	556	561	567
1.9	0.630	546	551	557	563	569	575	581	587	593	599
2.0	0.630	574	580	586	593	599	605	611	617	624	630
2.1	0.630	603	609	616	622	629	635	642	648	655	662
2.2	0.630	632	638	645	652	659	665	672	679	686	693
2.3	0.630	660	667	674	681	689	696	703	710	717	725
2.4	0.630	689	696	704	711	719	726	733	741	748	756
2.5	0.630	718	725	733	741	748	756	764	772	780	788
2.6	0.630	747	754	762	770	778	786	795	803	811	819
2.7	0.630	775	784	792	800	808	817	825	834	842	851
2.8	0.630	804	813	821	830	838	847	856	864	873	882
2.9	0.630	833	842	850	859	868	877	886	895	904	914
3.0	0.630	861	871	880	889	898	907	917	925	936	945
3.1	0.630	890	900	909	919	928	938	947	957	967	977
3.2	0.630	919	929	938	948	958	968	978	988	998	1008
3.3	0.630	948	958	968	978	988	998	1008	1019	1029	1040
3.4	0.630	976	987	997	1007	1018	1028	1039	1050	1060	1071
3.5	0.630	1005	1016	1026	1037	1048	1059	1070	1080	1091	1103
3.6	0.630	1034	1045	1056	1067	1078	1089	1100	1111	1123	1134
3.7	0.630	1062	1074	1085	1096	1108	1119	1131	1142	1154	1166
3.8	0.630	1091	1103	1114	1126	1138	1149	1161	1173	1185	1197
3.9	0.630	1120	1132	1144	1156	1168	1180	1192	1204	1216	1229
4.0	0.630	1149	1161	1173	1185	1198	1210	1222	1235	1247	1260
4.1	0.630	1177	1190	1202	1215	1227	1240	1253	1266	1279	1292
4.2	0.630	1206	1219	1232	1244	1257	1270	1283	1297	1310	1323
4.3	0.630	1235	1248	1261	1274	1287	1301	1314	1327	1341	1355
4.4	0.630	1263	1277	1290	1304	1317	1331	1345	1358	1372	1386
4.5	0.630	1292	1306	1320	1333	1347	1361	1375	1389	1403	1418
4.6	0.630	1321	1335	1349	1363	1377	1391	1406	1420	1435	1449
4.7	0.630	1350	1364	1378	1393	1407	1422	1436	1451	1466	1481
4.8	0.630	1378	1393	1408	1422	1437	1452	1467	1482	1497	1512
4.9	0.630	1407	1422	1437	1452	1467	1482	1497	1513	1528	1544
5.0	0.630	1436	1451	1466	1481	1497	1512	1528	1544	1559	1575
5.1	0.630	1465	1480	1496	1511	1527	1543	1558	1574	1590	1607
5.2	0.630	1493	1509	1525	1541	1557	1573	1589	1605	1622	1638
5.3	0.630	1522	1538	1554	1570	1587	1603	1620	1636	1653	1670
5.4	0.630	1551	1567	1583	1600	1617	1633	1650	1667	1684	1701

TABLE 17 B. VOLUME OF ROUNDWOOD TIMBER

Mid Girth(m)	Diameter (m)	Volume in cubic decimetres									
		1.90	1.91	1.92	1.93	1.94	1.95	1.96	1.97	1.98	1.99
5.5	0.604	1579	1596	1613	1630	1647	1664	1681	1698	1715	1733
5.6	0.604	1608	1625	1642	1659	1677	1694	1711	1729	1746	1764
5.7	0.604	1637	1654	1671	1689	1706	1724	1742	1760	1778	1796
5.8	0.604	1666	1683	1701	1719	1736	1754	1772	1791	1809	1827
5.9	0.604	1694	1712	1730	1748	1766	1785	1803	1821	1840	1859
6.0	0.604	1723	1741	1759	1778	1796	1815	1833	1852	1871	1890
6.1	0.604	1752	1770	1789	1807	1826	1845	1864	1883	1902	1922
6.2	0.604	1780	1799	1818	1837	1856	1875	1895	1914	1933	1953
6.3	0.604	1809	1828	1847	1867	1886	1906	1925	1945	1965	1985
6.4	0.604	1838	1857	1877	1896	1916	1936	1956	1976	1996	2016
6.5	0.604	1867	1886	1906	1926	1946	1966	1986	2007	2027	2048
6.6	0.604	1895	1915	1935	1956	1976	1996	2017	2037	2058	2079
6.7	0.604	1924	1944	1965	1985	2006	2027	2047	2068	2089	2111
6.8	0.604	1953	1973	1994	2015	2036	2057	2078	2099	2121	2142
6.9	0.604	1981	2002	2023	2044	2066	2087	2109	2130	2152	2174
7.0	0.604	2010	2031	2053	2074	2096	2117	2139	2161	2183	2205
7.1	0.604	2039	2060	2082	2104	2126	2148	2170	2192	2214	2237
7.2	0.604	2068	2089	2111	2133	2156	2178	2200	2223	2245	2268
7.3	0.604	2096	2118	2141	2163	2185	2208	2231	2254	2277	2300
7.4	0.604	2125	2147	2170	2193	2215	2238	2261	2284	2308	2331
7.5	0.604	2154	2176	2199	2222	2245	2269	2292	2315	2339	2363
7.6	0.604	2182	2205	2228	2252	2275	2299	2322	2346	2370	2394
7.7	0.604	2211	2234	2258	2282	2305	2329	2353	2377	2401	2426
7.8	0.604	2240	2263	2287	2311	2335	2359	2384	2408	2432	2457
7.9	0.604	2269	2292	2317	2341	2365	2390	2414	2439	2464	2489
8.0	0.604	2297	2322	2346	2370	2395	2420	2445	2470	2495	2520
8.1	0.604	2326	2351	2375	2400	2425	2450	2475	2501	2526	2552
8.2	0.604	2355	2380	2405	2430	2455	2480	2506	2531	2557	2583
8.3	0.604	2383	2409	2434	2459	2485	2511	2536	2562	2588	2615
8.4	0.604	2412	2438	2463	2489	2515	2541	2567	2593	2620	2646
8.5	0.604	2441	2467	2493	2519	2545	2571	2597	2624	2651	2678
8.6	0.604	2470	2496	2522	2548	2575	2601	2628	2655	2682	2709
8.7	0.604	2498	2525	2551	2578	2605	2632	2659	2686	2713	2741
8.8	0.604	2527	2554	2580	2607	2635	2662	2689	2717	2744	2772
8.9	0.604	2556	2583	2610	2637	2664	2692	2720	2748	2775	2804
9.0	0.604	2584	2612	2639	2667	2694	2722	2750	2778	2807	2835
9.1	0.604	2613	2641	2668	2696	2724	2752	2781	2809	2838	2867
9.2	0.604	2642	2670	2698	2726	2754	2783	2811	2840	2869	2898
9.3	0.604	2671	2699	2727	2756	2784	2813	2842	2871	2900	2930
9.4	0.604	2699	2728	2756	2785	2814	2843	2872	2902	2931	2961
9.5	0.604	2728	2757	2786	2815	2844	2873	2903	2933	2963	2993
9.6	0.604	2757	2786	2815	2844	2874	2904	2934	2964	2994	3024
9.7	0.604	2785	2815	2844	2874	2904	2934	2964	2994	3025	3056
9.8	0.604	2814	2844	2874	2904	2934	2964	2994	3025	3056	3087
9.9	0.604	2843	2873	2903	2933	2964	2994	3025	3056	3087	3119

TABLE 18.A. VOLUME OF ROUNDHOOD TIMBER

TABLE 18.B. VOLUME OF ROUNDHOOD TIMBER

Mid Girth(m)	2.00	2.01	2.02	2.03	2.04	2.05	2.06	2.07	2.08	2.09
Diameter (m)	0.636	0.639	0.642	0.645	0.649	0.652	0.655	0.658	0.661	0.665
Length (m)	Volume in cubic decimetres									
1.0	318	321	325	328	331	334	338	341	344	347
1.1	350	354	357	361	364	368	371	375	379	382
1.2	382	386	389	393	397	401	405	409	413	417
1.3	414	418	422	426	430	435	439	443	447	452
1.4	445	450	454	459	463	468	473	477	482	486
1.5	477	482	487	492	497	501	506	511	516	521
1.6	509	514	519	524	530	535	540	545	551	556
1.7	541	546	552	557	563	568	574	579	585	591
1.8	573	578	584	590	596	602	608	614	619	625
1.9	605	611	617	623	629	635	641	648	654	660
2.0	636	643	649	656	662	669	675	682	688	695
2.1	668	675	682	688	695	702	709	716	723	730
2.2	700	707	714	721	728	735	743	750	757	764
2.3	732	739	747	754	761	769	776	784	792	799
2.4	764	771	779	787	794	802	810	818	826	834
2.5	795	803	811	819	828	836	844	852	860	869
2.6	827	836	844	852	861	869	878	886	895	903
2.7	859	868	876	885	894	903	911	920	929	938
2.8	891	900	909	918	927	936	945	954	964	973
2.9	923	932	941	951	960	969	979	988	998	1008
3.0	955	964	974	983	993	1003	1013	1023	1032	1042
3.1	986	996	1006	1016	1026	1036	1046	1057	1067	1077
3.2	1018	1028	1039	1049	1059	1070	1080	1091	1101	1112
3.3	1050	1061	1071	1082	1092	1103	1114	1125	1145	1147
3.4	1082	1093	1104	1115	1126	1137	1148	1159	1170	1181
3.5	1114	1125	1136	1147	1159	1170	1181	1193	1205	1216
3.6	1145	1157	1168	1180	1192	1203	1215	1227	1239	1251
3.7	1177	1189	1201	1213	1225	1237	1249	1261	1273	1286
3.8	1209	1221	1233	1246	1258	1270	1283	1295	1308	1320
3.9	1241	1253	1266	1278	1291	1304	1316	1329	1342	1355
4.0	1273	1285	1298	1311	1324	1337	1350	1363	1377	1390
4.1	1305	1318	1331	1344	1357	1371	1384	1397	1411	1425
4.2	1336	1350	1363	1377	1390	1404	1418	1432	1445	1459
4.3	1368	1382	1396	1410	1423	1437	1452	1466	1480	1494
4.4	1400	1414	1428	1442	1457	1471	1485	1500	1514	1529
4.5	1432	1446	1461	1475	1490	1504	1519	1534	1549	1564
4.6	1464	1478	1493	1508	1523	1538	1553	1568	1583	1598
4.7	1495	1510	1526	1541	1556	1571	1587	1602	1617	1633
4.8	1527	1543	1558	1573	1589	1605	1620	1636	1652	1668
4.9	1559	1575	1590	1606	1622	1638	1654	1670	1686	1703
5.0	1591	1607	1623	1639	1655	1671	1688	1704	1721	1737
5.1	1623	1639	1655	1672	1688	1705	1722	1738	1755	1772
5.2	1655	1671	1688	1705	1721	1738	1755	1772	1790	1807
5.3	1686	1703	1720	1737	1754	1772	1789	1806	1824	1842
5.4	1718	1735	1753	1770	1788	1805	1823	1841	1858	1876

Mid Girth(m)	2.00	2.01	2.02	2.03	2.04	2.05	2.06	2.07	2.08	2.09
Diameter (m)	0.636	0.639	0.642	0.645	0.649	0.652	0.655	0.658	0.661	0.665
Length (m)	Volume in cubic decimetres									
5.5	1750	1768	1785	1803	1821	1839	1857	1875	1893	1911
5.6	1782	1800	1818	1836	1854	1872	1890	1909	1927	1946
5.7	1814	1832	1850	1868	1887	1904	1924	1943	1962	1981
5.8	1845	1864	1883	1901	1920	1939	1958	1977	1996	2015
5.9	1877	1896	1915	1934	1953	1972	1992	2011	2030	2050
6.0	1909	1928	1947	1967	1986	2006	2025	2045	2065	2085
6.1	1941	1960	1980	2000	2019	2039	2059	2079	2099	2120
6.2	1973	1993	2012	2032	2052	2073	2093	2113	2134	2154
6.3	2005	2025	2045	2065	2086	2106	2127	2147	2168	2189
6.4	2036	2057	2077	2098	2119	2139	2160	2181	2203	2224
6.5	2068	2089	2110	2131	2152	2173	2194	2215	2237	2259
6.6	2100	2121	2142	2163	2185	2206	2228	2250	2271	2293
6.7	2132	2153	2175	2196	2218	2240	2262	2284	2306	2328
6.8	2164	2185	2207	2229	2251	2273	2295	2318	2340	2363
6.9	2195	2217	2240	2262	2284	2307	2329	2352	2375	2397
7.0	2227	2250	2272	2295	2317	2340	2363	2386	2409	2432
7.1	2259	2282	2304	2327	2350	2373	2397	2420	2443	2467
7.2	2291	2314	2337	2360	2383	2407	2430	2454	2478	2502
7.3	2323	2346	2369	2393	2417	2440	2464	2488	2512	2536
7.4	2355	2378	2402	2426	2450	2474	2498	2522	2547	2571
7.5	2386	2410	2434	2458	2483	2507	2532	2556	2581	2606
7.6	2418	2442	2467	2491	2516	2541	2565	2590	2616	2641
7.7	2450	2475	2499	2524	2549	2574	2599	2625	2650	2675
7.8	2482	2507	2532	2557	2582	2607	2633	2659	2684	2710
7.9	2514	2539	2564	2590	2615	2641	2667	2693	2719	2745
8.0	2545	2571	2597	2622	2648	2674	2700	2727	2753	2780
8.1	2577	2603	2629	2655	2681	2708	2734	2761	2788	2814
8.2	2609	2635	2662	2688	2714	2741	2768	2795	2822	2849
8.3	2641	2667	2694	2721	2748	2775	2802	2829	2856	2884
8.4	2673	2700	2726	2754	2781	2808	2835	2863	2891	2919
8.5	2705	2732	2759	2786	2814	2841	2869	2897	2925	2953
8.6	2736	2764	2791	2819	2847	2875	2903	2931	2960	2988
8.7	2768	2795	2824	2852	2880	2908	2937	2965	2994	3023
8.8	2800	2828	2856	2885	2913	2942	2971	2999	3028	3058
8.9	2832	2860	2889	2917	2946	2975	3004	3034	3063	3092
9.0	2864	2892	2921	2950	2979	3009	3038	3068	3097	3127
9.1	2895	2924	2954	2983	3012	3042	3072	3102	3132	3162
9.2	2927	2957	2986	3016	3046	3075	3106	3136	3166	3197
9.3	2959	2989	3019	3049	3079	3109	3139	3170	3201	3231
9.4	2991	3021	3051	3081	3112	3142	3173	3204	3235	3266
9.5	3023	3053	3083	3114	3145	3176	3207	3238	3269	3301
9.6	3055	3085	3116	3147	3178	3209	3241	3272	3304	3336
9.7	3086	3117	3148	3180	3211	3243	3274	3306	3338	3370
9.8	3118	3149	3181	3212	3244	3276	3308	3340	3373	3405
9.9	3150	3182	3213	3245	3277	3309	3342	3374	3407	3440

TABLE 19 A. VOLUME OF ROUNDWOOD TIMBER

Mid Girth(m)	2.10	2.11	2.12	2.13	2.14	2.15	2.16	2.17	2.18	2.19
Diameter (m)	0.668 0.671 0.674 0.677 0.680 0.684 0.687 0.690 0.693 0.696									
Length (m)	Volume in cubic decimetres									
1.0	351	354	358	361	364	368	371	375	378	382
1.1	386	390	393	397	401	404	408	412	416	420
1.2	421	425	429	433	437	441	445	449	454	458
1.3	456	460	465	469	474	478	482	487	491	496
1.4	491	496	501	505	510	515	520	524	529	534
1.5	526	531	536	541	546	552	557	562	567	572
1.6	561	567	572	577	583	588	594	599	605	610
1.7	596	602	608	614	619	625	631	637	643	649
1.8	631	637	644	650	656	662	668	674	680	687
1.9	667	673	679	686	692	699	705	712	718	725
2.0	702	708	715	722	729	735	742	749	756	763
2.1	737	744	751	758	765	772	779	787	794	801
2.2	772	779	787	794	801	809	816	824	832	839
2.3	807	815	822	830	838	846	854	862	869	877
2.4	842	850	858	866	874	882	891	899	907	916
2.5	877	885	894	902	911	919	928	936	945	954
2.6	912	921	930	938	947	955	965	974	983	992
2.7	947	956	965	974	984	993	1002	1011	1021	1030
2.8	982	992	1001	1010	1020	1030	1039	1049	1058	1068
2.9	1017	1027	1037	1047	1056	1066	1076	1086	1096	1106
3.0	1052	1062	1073	1083	1093	1103	1113	1124	1134	1145
3.1	1087	1096	1108	1119	1129	1140	1150	1161	1172	1183
3.2	1123	1133	1144	1155	1166	1177	1188	1199	1210	1221
3.3	1158	1169	1180	1191	1202	1213	1225	1236	1248	1259
3.4	1193	1204	1216	1227	1239	1250	1262	1274	1285	1297
3.5	1228	1240	1251	1263	1275	1287	1299	1311	1323	1335
3.6	1263	1275	1287	1299	1311	1324	1336	1348	1361	1373
3.7	1298	1310	1323	1335	1348	1360	1373	1386	1399	1412
3.8	1333	1346	1359	1371	1384	1397	1410	1423	1437	1450
3.9	1368	1381	1394	1407	1421	1434	1447	1461	1474	1488
4.0	1403	1417	1430	1444	1457	1471	1485	1498	1512	1526
4.1	1438	1452	1466	1480	1494	1508	1522	1536	1550	1564
4.2	1473	1487	1502	1516	1530	1544	1559	1573	1588	1602
4.3	1508	1523	1537	1552	1566	1581	1596	1611	1626	1640
4.4	1543	1558	1573	1588	1603	1618	1633	1648	1663	1679
4.5	1579	1594	1609	1624	1639	1655	1670	1686	1701	1717
4.6	1614	1629	1645	1660	1676	1691	1707	1723	1739	1755
4.7	1649	1664	1680	1696	1712	1728	1744	1760	1777	1793
4.8	1684	1700	1716	1732	1749	1765	1781	1798	1815	1831
4.9	1719	1735	1752	1768	1785	1802	1819	1835	1852	1869
5.0	1754	1771	1788	1804	1821	1838	1856	1873	1890	1908
5.1	1789	1806	1823	1841	1858	1875	1893	1910	1928	1946
5.2	1824	1842	1859	1877	1894	1912	1930	1948	1966	1984
5.3	1859	1877	1895	1913	1931	1949	1967	1985	2004	2022
5.4	1894	1912	1931	1949	1967	1986	2004	2023	2041	2060

TABLE 19 B. VOLUME OF ROUNDWOOD TIMBER

Mid Girth(m)	2.10	2.11	2.12	2.13	2.14	2.15	2.16	2.17	2.18	2.19
Diameter (m)	0.668 0.671 0.674 0.677 0.680 0.684 0.687 0.690 0.693 0.696									
Length (m)	Volume in cubic decimetres									
1.0	1929	1948	1966	1985	2004	2022	2041	2060	2079	2098
1.1	1964	1983	2002	2021	2040	2059	2078	2098	2117	2136
1.2	2000	2019	2038	2057	2076	2096	2115	2135	2155	2175
1.3	2035	2054	2074	2093	2113	2133	2153	2173	2193	2213
1.4	2070	2089	2109	2129	2149	2169	2190	2210	2230	2251
1.5	2105	2125	2145	2165	2186	2206	2227	2247	2268	2289
1.6	2140	2160	2181	2201	2222	2243	2264	2285	2306	2327
1.7	2175	2196	2217	2238	2259	2280	2301	2322	2344	2365
1.8	2210	2231	2252	2274	2295	2317	2338	2360	2382	2403
1.9	2245	2267	2288	2310	2331	2353	2375	2397	2419	2442
2.0	2280	2302	2324	2346	2368	2390	2412	2435	2457	2480
2.1	2315	2337	2360	2382	2404	2427	2449	2472	2495	2518
2.2	2350	2373	2395	2418	2441	2464	2487	2510	2533	2556
2.3	2385	2408	2431	2454	2477	2500	2524	2547	2571	2594
2.4	2420	2444	2467	2490	2514	2537	2561	2585	2608	2632
2.5	2456	2479	2503	2526	2550	2574	2598	2622	2645	2671
2.6	2491	2514	2538	2562	2586	2611	2635	2659	2684	2709
2.7	2526	2550	2574	2598	2623	2647	2672	2697	2722	2747
2.8	2561	2585	2610	2634	2659	2684	2709	2734	2760	2785
2.9	2596	2621	2646	2671	2696	2721	2746	2772	2797	2823
3.0	2631	2656	2681	2707	2732	2758	2783	2809	2835	2861
3.1	2666	2691	2717	2743	2769	2795	2821	2847	2873	2899
3.2	2701	2727	2753	2779	2805	2831	2858	2884	2911	2938
3.3	2736	2762	2789	2815	2841	2868	2895	2922	2949	2976
3.4	2771	2798	2824	2851	2878	2905	2932	2959	2986	3014
3.5	2806	2833	2860	2887	2914	2942	2969	2997	3024	3052
3.6	2841	2869	2896	2923	2951	2978	3006	3034	3062	3090
3.7	2877	2904	2932	2959	2987	3015	3043	3071	3100	3128
3.8	2912	2939	2967	2995	3024	3052	3080	3109	3138	3167
3.9	2947	2975	3003	3031	3060	3089	3117	3146	3175	3205
4.0	2982	3010	3039	3068	3096	3125	3155	3184	3213	3243
4.1	3017	3046	3075	3104	3133	3162	3192	3221	3251	3281
4.2	3052	3081	3110	3140	3169	3199	3229	3259	3289	3319
4.3	3087	3116	3146	3176	3206	3236	3266	3296	3327	3357
4.4	3122	3152	3182	3212	3242	3273	3303	3334	3364	3395
4.5	3157	3187	3218	3248	3279	3309	3340	3371	3402	3434
4.6	3192	3223	3253	3284	3315	3346	3377	3409	3442	3474
4.7	3227	3258	3289	3320	3351	3383	3414	3446	3478	3510
4.8	3262	3294	3325	3356	3388	3420	3451	3484	3516	3548
4.9	3297	3329	3361	3392	3424	3456	3489	3521	3554	3586
5.0	3333	3364	3396	3428	3461	3493	3526	3558	3591	3624
5.1	3368	3400	3432	3465	3497	3530	3563	3596	3629	3662
5.2	3403	3435	3468	3501	3534	3567	3600	3633	3667	3701
5.3	3438	3471	3504	3537	3570	3603	3637	3671	3705	3739
5.4	3473	3506	3539	3573	3606	3640	3674	3708	3743	3777

TABLE 20 A. VOLUME OF ROUNDWOOD TIMBER

Mid Girth(m)	Volume in cubic decimetres										
	2.20	2.21	2.22	2.23	2.24	2.25	2.26	2.27	2.28	2.29	
Diameter (m)	0.700 0.703 0.706 0.709 0.712 0.715 0.719 0.722 0.725 0.728										
Length (m)	Volume in cubic decimetres										
1.0	385	389	392	396	399	403	406	410	414	417	
1.1	423	427	431	435	439	443	447	451	455	459	
1.2	462	466	470	475	479	483	488	492	496	501	
1.3	500	505	510	514	519	524	528	533	538	542	
1.4	539	544	549	554	559	564	569	574	579	584	
1.5	577	583	588	593	599	604	609	615	620	626	
1.6	616	622	627	633	639	644	650	656	662	667	
1.7	654	660	666	672	679	685	691	697	703	709	
1.8	693	699	706	712	718	725	731	738	744	751	
1.9	731	738	745	752	758	765	772	779	786	793	
2.0	770	777	784	791	798	805	813	820	827	834	
2.1	808	816	823	831	838	846	853	861	868	876	
2.2	847	855	862	870	878	886	894	902	910	918	
2.3	885	894	902	910	918	926	934	943	951	959	
2.4	924	932	941	949	958	966	975	984	992	1001	
2.5	962	971	980	989	998	1007	1016	1025	1034	1043	
2.6	1001	1010	1019	1028	1038	1047	1056	1066	1075	1085	
2.7	1039	1049	1058	1068	1078	1087	1097	1107	1116	1126	
2.8	1078	1088	1098	1108	1118	1128	1138	1148	1158	1168	
2.9	1116	1127	1137	1147	1157	1168	1178	1189	1199	1210	
3.0	1155	1166	1176	1187	1197	1208	1219	1230	1241	1251	
3.1	1193	1204	1215	1226	1237	1248	1259	1271	1282	1293	
3.2	1232	1243	1255	1266	1277	1289	1300	1312	1323	1335	
3.3	1270	1282	1294	1305	1317	1329	1341	1353	1365	1377	
3.4	1309	1321	1333	1345	1357	1369	1381	1394	1406	1418	
3.5	1347	1360	1372	1385	1397	1409	1422	1435	1447	1460	
3.6	1386	1399	1411	1424	1437	1450	1463	1475	1489	1502	
3.7	1424	1437	1451	1464	1477	1490	1503	1517	1530	1543	
3.8	1463	1476	1490	1503	1517	1530	1544	1558	1571	1585	
3.9	1501	1515	1529	1543	1557	1571	1585	1599	1613	1627	
4.0	1540	1554	1568	1582	1597	1611	1625	1640	1654	1669	
4.1	1578	1593	1607	1622	1636	1651	1666	1681	1695	1710	
4.2	1617	1632	1647	1661	1676	1691	1706	1722	1737	1752	
4.3	1655	1671	1686	1701	1716	1732	1747	1763	1778	1794	
4.4	1694	1709	1725	1741	1756	1772	1788	1804	1819	1835	
4.5	1732	1748	1764	1780	1796	1812	1828	1845	1861	1877	
4.6	1771	1787	1803	1820	1836	1852	1869	1885	1902	1919	
4.7	1809	1826	1843	1859	1876	1893	1910	1926	1943	1961	
4.8	1848	1865	1882	1899	1916	1933	1950	1967	1985	2002	
4.9	1886	1904	1921	1938	1956	1973	1991	2008	2026	2044	
5.0	1925	1943	1960	1978	1996	2013	2031	2049	2068	2086	
5.1	1963	1981	1999	2017	2036	2054	2072	2090	2109	2127	
5.2	2002	2020	2039	2057	2075	2094	2113	2131	2150	2169	
5.3	2040	2059	2078	2097	2115	2134	2153	2172	2192	2211	
5.4	2079	2098	2117	2136	2155	2175	2194	2213	2233	2253	

TABLE 20 B. VOLUME OF ROUNDWOOD TIMBER

Mid Girth(m)	Volume in cubic decimetres										
	2.20	2.21	2.22	2.23	2.24	2.25	2.26	2.27	2.28	2.29	
Diameter (m)	0.700 0.703 0.706 0.709 0.712 0.715 0.719 0.722 0.725 0.728										
Length (m)	Volume in cubic decimetres										
5.5	2117	2137	2156	2176	2195	2215	2235	2254	2274	2294	
5.6	2156	2176	2195	2215	2235	2255	2275	2295	2316	2336	
5.7	2194	2214	2234	2254	2275	2295	2316	2336	2357	2378	
5.8	2233	2253	2274	2294	2315	2335	2356	2377	2398	2419	
5.9	2271	2292	2313	2334	2355	2376	2397	2418	2440	2461	
6.0	2310	2331	2352	2373	2395	2416	2438	2459	2481	2503	
6.1	2348	2370	2391	2413	2435	2456	2478	2500	2522	2545	
6.2	2387	2409	2431	2453	2475	2497	2519	2541	2564	2586	
6.3	2425	2448	2470	2492	2515	2537	2560	2582	2605	2628	
6.4	2464	2486	2509	2532	2554	2577	2600	2623	2646	2670	
6.5	2502	2525	2548	2571	2594	2618	2641	2664	2688	2711	
6.6	2541	2564	2587	2611	2634	2658	2681	2705	2729	2753	
6.7	2579	2603	2627	2650	2674	2698	2722	2746	2771	2795	
6.8	2618	2642	2666	2690	2714	2738	2763	2787	2812	2837	
6.9	2656	2681	2705	2729	2754	2779	2803	2828	2853	2878	
7.0	2695	2720	2744	2769	2794	2819	2844	2869	2895	2920	
7.1	2733	2758	2783	2809	2834	2859	2885	2910	2936	2962	
7.2	2772	2797	2823	2848	2874	2899	2925	2951	2977	3003	
7.3	2810	2836	2862	2888	2914	2940	2966	2992	3019	3045	
7.4	2849	2875	2901	2927	2954	2980	3007	3033	3060	3087	
7.5	2887	2914	2940	2967	2993	3020	3047	3074	3101	3129	
7.6	2926	2953	2979	3006	3033	3061	3088	3115	3143	3170	
7.7	2964	2992	3019	3046	3073	3101	3128	3156	3184	3212	
7.8	3003	3030	3058	3085	3113	3141	3169	3197	3225	3254	
7.9	3041	3069	3097	3125	3153	3181	3210	3238	3267	3295	
8.0	3080	3108	3136	3165	3193	3222	3250	3279	3308	3337	
8.1	3118	3147	3175	3204	3233	3262	3291	3320	3349	3379	
8.2	3157	3186	3215	3244	3273	3302	3332	3361	3391	3421	
8.3	3195	3225	3254	3283	3313	3342	3372	3402	3432	3462	
8.4	3234	3263	3293	3323	3353	3383	3413	3443	3473	3504	
8.5	3272	3302	3332	3362	3393	3423	3453	3484	3515	3546	
8.6	3311	3341	3371	3402	3432	3463	3494	3525	3556	3587	
8.7	3349	3380	3411	3441	3472	3503	3535	3566	3598	3629	
8.8	3388	3419	3450	3481	3512	3544	3575	3607	3639	3671	
8.9	3426	3458	3489	3521	3552	3584	3616	3648	3680	3713	
9.0	3465	3497	3528	3560	3592	3624	3657	3689	3722	3754	
9.1	3503	3535	3567	3600	3632	3665	3697	3730	3763	3796	
9.2	3542	3574	3607	3639	3672	3705	3738	3771	3804	3838	
9.3	3580	3613	3646	3679	3712	3745	3778	3812	3846	3879	
9.4	3619	3652	3685	3718	3752	3785	3819	3853	3887	3921	
9.5	3657	3691	3724	3758	3792	3826	3860	3894	3928	3963	
9.6	3696	3730	3764	3797	3832	3866	3900	3935	3970	4005	
9.7	3734	3769	3803	3837	3872	3906	3941	3976	4011	4046	
9.8	3773	3807	3842	3877	3911	3946	3982	4017	4052	4088	
9.9	3811	3846	3881	3916	3951	3987	4022	4058	4094	4130	



TABLE 21 A. VOLUME OF ROUNDWOOD TIMBER

TABLE 21 B. VOLUME OF ROUNDWOOD TIMBER

Mid Girth(m)	2.30	2.31	2.32	2.33	2.34	2.35	2.36	2.37	2.38	2.39	2.40	2.31	2.32	2.33	2.34	2.35	2.36	2.37	2.38	2.39
Diameter (m)	0.731	0.735	0.738	0.741	0.744	0.747	0.750	0.754	0.757	0.760	0.731	0.735	0.738	0.741	0.744	0.747	0.750	0.754	0.757	0.760
Length (m)	Volume in cubic decimetres										Volume in cubic decimetres									
1.0	421	424	428	432	436	439	443	447	451	454	2314	2335	2355	2375	2396	2416	2437	2457	2478	2499
1.1	463	467	471	475	479	483	487	491	495	500	2356	2377	2398	2418	2439	2460	2481	2502	2523	2544
1.2	505	509	514	518	523	527	532	536	541	545	2399	2419	2440	2462	2483	2504	2525	2547	2568	2590
1.3	547	552	557	561	566	571	576	581	586	591	2441	2462	2483	2505	2526	2548	2570	2591	2613	2635
1.4	589	594	599	605	610	615	620	626	631	636	2483	2504	2526	2548	2570	2592	2614	2636	2658	2681
1.5	631	637	642	648	653	659	665	670	676	682	2525	2547	2569	2591	2613	2636	2658	2681	2703	2726
1.6	673	679	685	691	697	703	709	715	721	727	2567	2589	2612	2634	2657	2680	2703	2725	2749	2772
1.7	715	722	728	734	740	747	753	760	766	772	2609	2632	2655	2677	2700	2724	2747	2770	2794	2817
1.8	757	764	771	777	784	791	797	804	811	818	2651	2674	2697	2721	2744	2768	2791	2815	2839	2863
1.9	800	806	813	821	828	835	842	849	856	863	2693	2717	2740	2764	2788	2811	2835	2860	2884	2908
2.0	842	849	856	864	871	879	886	894	901	909	2735	2759	2783	2807	2831	2855	2880	2904	2929	2953
2.1	884	891	899	907	915	923	930	938	946	954	2777	2801	2826	2850	2875	2899	2924	2949	2974	2999
2.2	926	934	942	950	958	966	975	983	991	1000	2819	2844	2869	2893	2918	2943	2968	2994	3019	3044
2.3	968	976	985	993	1002	1010	1019	1028	1036	1045	2861	2886	2911	2937	2962	2987	3013	3038	3064	3090
2.4	1010	1019	1028	1036	1045	1054	1063	1072	1081	1090	2903	2929	2954	2980	3005	3031	3057	3083	3109	3135
2.5	1052	1061	1070	1080	1089	1098	1108	1117	1126	1136	2946	2971	2997	3023	3049	3075	3101	3128	3154	3181
2.6	1094	1104	1113	1123	1132	1142	1152	1162	1172	1181	2988	3014	3040	3066	3092	3119	3146	3172	3199	3226
2.7	1136	1146	1156	1166	1176	1186	1196	1206	1217	1227	3030	3056	3083	3109	3136	3163	3190	3217	3244	3271
2.8	1178	1188	1199	1209	1220	1230	1241	1251	1262	1272	3072	3099	3125	3152	3180	3207	3234	3262	3289	3317
2.9	1220	1231	1242	1252	1263	1274	1285	1296	1307	1318	3114	3141	3168	3196	3223	3251	3278	3306	3334	3362
3.0	1262	1273	1284	1295	1307	1318	1329	1340	1352	1363	3156	3183	3211	3239	3267	3295	3323	3351	3379	3408
3.1	1304	1316	1327	1339	1350	1362	1373	1385	1397	1409	3198	3226	3254	3282	3310	3339	3367	3396	3424	3453
3.2	1347	1358	1370	1382	1394	1406	1418	1430	1442	1454	3240	3268	3297	3325	3354	3383	3411	3440	3469	3499
3.3	1389	1401	1413	1425	1437	1450	1462	1474	1487	1499	3282	3311	3340	3368	3397	3426	3456	3485	3515	3544
3.4	1431	1443	1456	1468	1481	1494	1506	1519	1532	1545	3324	3353	3382	3412	3441	3470	3500	3530	3560	3590
3.5	1473	1485	1499	1511	1524	1538	1551	1564	1577	1590	3366	3396	3425	3455	3484	3514	3544	3574	3605	3635
3.6	1515	1528	1541	1555	1568	1581	1595	1608	1622	1636	3408	3438	3468	3498	3528	3558	3589	3619	3650	3680
3.7	1557	1571	1584	1598	1612	1625	1639	1653	1667	1681	3451	3481	3511	3541	3572	3602	3633	3664	3695	3726
3.8	1599	1613	1627	1641	1655	1669	1684	1698	1712	1727	3493	3523	3554	3584	3615	3646	3677	3708	3740	3771
3.9	1641	1655	1670	1684	1699	1713	1728	1743	1757	1772	3535	3565	3596	3627	3659	3690	3722	3753	3785	3817
4.0	1683	1698	1713	1727	1742	1757	1772	1787	1802	1817	3577	3608	3639	3671	3702	3734	3766	3798	3830	3862
4.1	1725	1740	1755	1771	1786	1801	1816	1832	1847	1863	3619	3650	3682	3714	3746	3778	3810	3842	3875	3908
4.2	1767	1783	1798	1814	1829	1845	1861	1877	1892	1908	3661	3693	3725	3757	3789	3822	3854	3887	3920	3953
4.3	1809	1825	1841	1857	1873	1889	1905	1921	1937	1954	3703	3735	3768	3800	3833	3866	3899	3932	3965	3998
4.4	1851	1868	1884	1900	1916	1933	1949	1966	1983	1999	3745	3778	3810	3843	3876	3910	3943	3977	4010	4044
4.5	1894	1910	1927	1943	1960	1977	1994	2011	2028	2045	3787	3820	3853	3887	3920	3954	3987	4021	4055	4089
4.6	1936	1953	1969	1986	2004	2021	2038	2055	2073	2090	3829	3863	3896	3930	3964	3998	4032	4066	4100	4135
4.7	1978	1995	2012	2030	2047	2065	2082	2100	2118	2136	3871	3905	3939	3973	4007	4041	4076	4111	4145	4180
4.8	2020	2037	2055	2073	2091	2109	2127	2145	2163	2181	3913	3948	3982	4016	4051	4085	4120	4155	4190	4226
4.9	2062	2080	2098	2116	2134	2153	2171	2189	2208	2226	3955	3990	4025	4059	4094	4129	4165	4200	4235	4271
5.0	2104	2122	2141	2159	2178	2196	2215	2234	2253	2272	3998	4032	4067	4103	4138	4173	4209	4245	4280	4317
5.1	2146	2165	2184	2202	2221	2240	2259	2279	2298	2317	4040	4075	4110	4146	4181	4217	4253	4289	4326	4362
5.2	2188	2207	2226	2246	2265	2284	2304	2323	2343	2363	4082	4117	4153	4189	4225	4261	4297	4334	4371	4407
5.3	2230	2250	2269	2289	2308	2328	2348	2368	2388	2408	4124	4160	4196	4232	4268	4305	4342	4379	4416	4453
5.4	2272	2292	2312	2332	2352	2372	2392	2413	2433	2454	4166	4202	4239	4275	4312	4349	4386	4423	4461	4498

TABLE 22 A. VOLUME OF ROUNDWOOD TIMBER

Mid Girth(m)	Diameter (m)	Volume in cubic decimetres																																																																																																																																																																																																																																																																																																																																																																																																																																																																																																																																																																																																																																																																																																																																																																																																																																																																																																																																																																																																																																																																																																																																																																																																																																																																								
		2.40	2.41	2.42	2.43	2.44	2.45	2.46	2.47	2.48	2.49																																																																																																																																																																																																																																																																																																																																																																																																																																																																																																																																																																																																																																																																																																																																																																																																																																																																																																																																																																																																																																																																																																																																																																																																																																																															
1.0	458	462	466	470	474	477	481	485	489	493	497	501	505	509	513	517	521	525	529	533	537	541	545	549	553	557	561	565	569	573	577	581	585	589	593	597	601	605	609	613	617	621	625	629	633	637	641	645	649	653	657	661	665	669	673	677	681	685	689	693	697	701	705	709	713	717	721	725	729	733	737	741	745	749	753	757	761	765	769	773	777	781	785	789	793	797	801	805	809	813	817	821	825	829	833	837	841	845	849	853	857	861	865	869	873	877	881	885	889	893	897	901	905	909	913	917	921	925	929	933	937	941	945	949	953	957	961	965	969	973	977	981	985	989	993	997	1001	1005	1009	1013	1017	1021	1025	1029	1033	1037	1041	1045	1049	1053	1057	1061	1065	1069	1073	1077	1081	1085	1089	1093	1097	1101	1105	1109	1113	1117	1121	1125	1129	1133	1137	1141	1145	1149	1153	1157	1161	1165	1169	1173	1177	1181	1185	1189	1193	1197	1201	1205	1209	1213	1217	1221	1225	1229	1233	1237	1241	1245	1249	1253	1257	1261	1265	1269	1273	1277	1281	1285	1289	1293	1297	1301	1305	1309	1313	1317	1321	1325	1329	1333	1337	1341	1345	1349	1353	1357	1361	1365	1369	1373	1377	1381	1385	1389	1393	1397	1401	1405	1409	1413	1417	1421	1425	1429	1433	1437	1441	1445	1449	1453	1457	1461	1465	1469	1473	1477	1481	1485	1489	1493	1497	1501	1505	1509	1513	1517	1521	1525	1529	1533	1537	1541	1545	1549	1553	1557	1561	1565	1569	1573	1577	1581	1585	1589	1593	1597	1601	1605	1609	1613	1617	1621	1625	1629	1633	1637	1641	1645	1649	1653	1657	1661	1665	1669	1673	1677	1681	1685	1689	1693	1697	1701	1705	1709	1713	1717	1721	1725	1729	1733	1737	1741	1745	1749	1753	1757	1761	1765	1769	1773	1777	1781	1785	1789	1793	1797	1801	1805	1809	1813	1817	1821	1825	1829	1833	1837	1841	1845	1849	1853	1857	1861	1865	1869	1873	1877	1881	1885	1889	1893	1897	1901	1905	1909	1913	1917	1921	1925	1929	1933	1937	1941	1945	1949	1953	1957	1961	1965	1969	1973	1977	1981	1985	1989	1993	1997	2001	2005	2009	2013	2017	2021	2025	2029	2033	2037	2041	2045	2049	2053	2057	2061	2065	2069	2073	2077	2081	2085	2089	2093	2097	2101	2105	2109	2113	2117	2121	2125	2129	2133	2137	2141	2145	2149	2153	2157	2161	2165	2169	2173	2177	2181	2185	2189	2193	2197	2201	2205	2209	2213	2217	2221	2225	2229	2233	2237	2241	2245	2249	2253	2257	2261	2265	2269	2273	2277	2281	2285	2289	2293	2297	2301	2305	2309	2313	2317	2321	2325	2329	2333	2337	2341	2345	2349	2353	2357	2361	2365	2369	2373	2377	2381	2385	2389	2393	2397	2401	2405	2409	2413	2417	2421	2425	2429	2433	2437	2441	2445	2449	2453	2457	2461	2465	2469	2473	2477	2481	2485	2489	2493	2497	2501	2505	2509	2513	2517	2521	2525	2529	2533	2537	2541	2545	2549	2553	2557	2561	2565	2569	2573	2577	2581	2585	2589	2593	2597	2601	2605	2609	2613	2617	2621	2625	2629	2633	2637	2641	2645	2649	2653	2657	2661	2665	2669	2673	2677	2681	2685	2689	2693	2697	2701	2705	2709	2713	2717	2721	2725	2729	2733	2737	2741	2745	2749	2753	2757	2761	2765	2769	2773	2777	2781	2785	2789	2793	2797	2801	2805	2809	2813	2817	2821	2825	2829	2833	2837	2841	2845	2849	2853	2857	2861	2865	2869	2873	2877	2881	2885	2889	2893	2897	2901	2905	2909	2913	2917	2921	2925	2929	2933	2937	2941	2945	2949	2953	2957	2961	2965	2969	2973	2977	2981	2985	2989	2993	2997	3001	3005	3009	3013	3017	3021	3025	3029	3033	3037	3041	3045	3049	3053	3057	3061	3065	3069	3073	3077	3081	3085	3089	3093	3097	3101	3105	3109	3113	3117	3121	3125	3129	3133	3137	3141	3145	3149	3153	3157	3161	3165	3169	3173	3177	3181	3185	3189	3193	3197	3201	3205	3209	3213	3217	3221	3225	3229	3233	3237	3241	3245	3249	3253	3257	3261	3265	3269	3273	3277	3281	3285	3289	3293	3297	3301	3305	3309	3313	3317	3321	3325	3329	3333	3337	3341	3345	3349	3353	3357	3361	3365	3369	3373	3377	3381	3385	3389	3393	3397	3401	3405	3409	3413	3417	3421	3425	3429	3433	3437	3441	3445	3449	3453	3457	3461	3465	3469	3473	3477	3481	3485	3489	3493	3497	3501	3505	3509	3513	3517	3521	3525	3529	3533	3537	3541	3545	3549	3553	3557	3561	3565	3569	3573	3577	3581	3585	3589	3593	3597	3601	3605	3609	3613	3617	3621	3625	3629	3633	3637	3641	3645	3649	3653	3657	3661	3665	3669	3673	3677	3681	3685	3689	3693	3697	3701	3705	3709	3713	3717	3721	3725	3729	3733	3737	3741	3745	3749	3753	3757	3761	3765	3769	3773	3777	3781	3785	3789	3793	3797	3801	3805	3809	3813	3817	3821	3825	3829	3833	3837	3841	3845	3849	3853	3857	3861	3865	3869	3873	3877	3881	3885	3889	3893	3897	3901	3905	3909	3913	3917	3921	3925	3929	3933	3937	3941	3945	3949	3953	3957	3961	3965	3969	3973	3977	3981	3985	3989	3993	3997	4001	4005	4009	4013	4017	4021	4025	4029	4033	4037	4041	4045	4049	4053	4057	4061	4065	4069	4073	4077	4081	4085	4089	4093	4097	4101	4105	4109	4113	4117	4121	4125	4129	4133	4137	4141	4145	4149	4153	4157	4161	4165	4169	4173	4177	4181	4185	4189	4193	4197	4201	4205	4209	4213	4217	4221	4225	4229	4233	4237	4241	4245	4249	4253	4257	4261	4265	4269	4273	4277	4281	4285	4289	4293	4297	4301	4305	4309	4313	4317	4321	4325	4329	4333	4337	4341	4345	4349	4353	4357	4361	4365	4369	4373	4377	4381	4385	4389	4393	4397	4401	4405	4409	4413	4417	4421	4425	4429	4433	4437	4441	4445	4449	4453	4457	4461	4465	4469	4473	4477	4481	4485	4489	4493	4497	4501	4505	4509	4513	4517	4521	4525	4529	4533	4537	4541	4545	4549	4553	4557	4561	4565	4569	4573	4577	4581	4585	4589	4593	4597	4601	4605	4609	4613	4617	4621	4625	4629	4633	4637	4641	4645	4649	4653	4657	4661	4665	4669	4673	4677	4681	4685	4689	4693	4697	4701	4705	4709	4713	4717	4721	4725	4729	4733	4737	4741	4745	4749	4753	4757	4761	4765	4769	4773	4777	4781	4785	4789	4793	4797	4801	4805	4809	4813	4817	4821	4825	4829	4833	4837	4841	4845	4849	4853	4857	4861	4865	4869	4873	4877	4881	4885	4889	4893	4897	4901	4905	4909	4913	4917	4921	4925	4929	4933	4937	4941	4945	4949	4953	4957	4961	4965	4969	4973	4977	4981	4985	4989	4993	4997	5001	5005	5009	5013	5017	5021	5025	5029	5033	5037	5041	5045	5049	5053	5057	5061	5065	5069	5073	5077	5081	5085	5089	5093	5097	5101	5105	5109	5113	5117	5121	5125	5129	5133	5137	5141	5145	5149	5153	5157	5161	5165	5169	5173	5177	5181	5185	5189	5193	5197	5201	5205	5209	5213	5217	5221	5225	5229	5233	5237	5241	5245	5249	5253	5257	5261	5265	5269	5273	5277	5281	5285	5289	5293	5297	5301	5305	5309	5313	5317	5321	5325	5329	5333	5337	5341	5345	5349	5353	5357

TABLE 23 A. VOLUME OF ROUNDWOOD TIMBER

Mid Girth(m) Diameter (m) Length (m)	Volume in cubic decimetres										
	2.50	2.51	2.52	2.53	2.54	2.55	2.56	2.57	2.58	2.59	
	497	501	505	509	513	517	521	525	529	534	
	547	551	556	560	565	569	573	578	582	587	
	597	601	606	611	616	621	626	630	635	640	
	646	651	657	662	672	678	683	688	694	699	
	696	702	707	713	718	724	730	736	741	747	
		746	752	758	764	770	776	782	788	794	800
		805	808	815	821	828	834	841	847	854	860
		845	852	859	866	872	879	886	893	900	907
		895	902	909	916	924	931	938	946	953	960
		945	952	960	967	975	983	990	998	1006	1014
			994	1002	1010	1018	1026	1034	1043	1051	1059
			1044	1052	1061	1069	1078	1086	1095	1103	1112
			1094	1103	1111	1120	1129	1138	1147	1156	1174
			1143	1153	1162	1171	1180	1190	1199	1208	1227
			1193	1203	1212	1222	1232	1241	1251	1261	1281
				1243	1253	1263	1273	1283	1293	1303	1324
				1293	1303	1313	1324	1334	1345	1355	1377
				1342	1353	1364	1375	1386	1397	1408	1441
				1392	1403	1414	1426	1437	1448	1460	1494
				1442	1453	1465	1477	1488	1500	1512	1547
					1491	1503	1515	1527	1540	1552	1588
					1541	1554	1566	1578	1591	1603	1629
					1591	1604	1616	1629	1642	1655	1681
					1641	1654	1667	1680	1694	1707	1734
					1690	1704	1717	1731	1745	1759	1786
						1740	1754	1768	1782	1796	1800
						1790	1804	1819	1833	1848	1853
						1839	1854	1869	1884	1899	1906
						1889	1904	1920	1935	1950	1944
						1939	1954	1970	1986	2001	1996
							1989	2005	2021	2037	2049
							2008	2025	2041	2058	2055
							2088	2105	2122	2139	2118
							2138	2155	2172	2189	2171
							2187	2205	2223	2240	2224
								2218	2236	2254	2227
								2237	2255	2273	2252
								2287	2305	2323	2302
								2337	2355	2374	2352
								2386	2405	2425	2402
								2436	2456	2475	2454
									2486	2506	2484
									2536	2556	2534
									2586	2606	2584
									2636	2656	2634
									2686	2706	2684
										2728	2706
										2749	2727
										2793	2771
										2815	2793
										2859	2837
										2881	2859
										2927	2905
										2950	2927
										2975	2950
										3020	2995
										3043	3020
										3067	3043
										3091	3067
										3115	3091
										3139	3115
										3163	3139
										3187	3163
										3211	3187
										3235	3211
										3259	3235
										3283	3259
										3307	3283
										3331	3307
										3355	3331
										3379	3355
										3403	3379
										3427	3403
										3451	3427
										3475	3451
										3499	3475
										3523	3499
										3547	3523
										3571	3547
										3595	3571
										3619	3595
										3643	3619
										3667	3643
										3691	3667
										3715	3691
										3739	3715
										3763	3739
										3787	3763
										3811	3787
										3835	3811
										3859	3835
										3883	3859
										3907	3883
										3931	3907
										3955	3931
										3979	3955
										4003	3979
										4027	4003
										4051	4027
										4075	4051
										4100	4075
										4124	4100
										4148	4124
										4172	4148
										4196	4172
										4220	4196
										4244	4220
										4268	4244
										4292	4268
										4316	4292
										4340	4316
										4364	4340
										4388	4364
										4412	4388
										4436	4412
										4460	4436
										4484	4460
										4508	4484
										4532	4508
										4556	4532
										4580	4556
										4604	4580
										4628	4604
										4652	4628
										4676	4652
										4700	4676
										4724	4700
										4748	4724
										4772	4748
										4796	4772
										4820	4796
										4844	4820
										4868	4844
										4892	4868
										4916	4892
										4940	4916
										4964	4940
										4988	4964
										5012	4988
										5036	5012
										5060	5036
										5084	5060
										5108	5084
										5132	5108
										5156	5132
										5180	5156
										5204	5180
										5228	5204
										5252	5228
										5276	5252
										5300	5276
										5324	5300
										5348	5324
										5372	5348
										5396	5372
										5420	5396
										5444	5420
										5468	5444
										5492	5468
										5516	5492
										5540	5516
										5564	5540
										5588	5564
										5612	5588
										5636	5612
										5660	5636
										5684	5660
										5708	5684
										57	

TABLE 24. A. VOLUME OF ROUNDWOOD TIMBER

Mid Girth(m)	Diameter (m)	Volume in cubic decimetres										
		2.60	2.61	2.62	2.63	2.64	2.65	2.66	2.67	2.68	2.69	2.70
1.0	0.827	538	542	546	550	554	559	563	567	571	576	581
1.1	0.830	591	596	601	605	610	614	619	624	628	633	638
1.2	0.833	650	655	660	665	670	675	680	685	690	695	700
1.3	0.836	699	704	710	715	721	726	732	737	743	748	754
1.4	0.840	753	759	764	770	776	782	788	794	800	806	812
1.5	0.843	807	813	819	825	832	838	844	851	857	863	869
1.6	0.846	860	867	874	880	887	894	901	907	914	921	928
1.7	0.849	914	921	928	935	942	950	957	964	971	979	986
1.8	0.852	968	975	983	990	998	1005	1013	1021	1028	1036	1044
1.9	0.855	1022	1030	1037	1045	1053	1061	1069	1077	1086	1094	1102
2.0	0.858	1075	1084	1092	1100	1109	1117	1126	1134	1143	1151	1160
2.1	0.861	1129	1138	1147	1155	1164	1173	1182	1191	1200	1209	1218
2.2	0.864	1183	1192	1201	1210	1220	1229	1238	1248	1257	1266	1275
2.3	0.867	1237	1246	1256	1265	1275	1285	1295	1304	1314	1324	1334
2.4	0.870	1291	1300	1310	1320	1331	1341	1351	1361	1371	1381	1391
2.5	0.873	1344	1355	1365	1376	1386	1397	1407	1418	1428	1439	1449
2.6	0.876	1398	1409	1420	1431	1441	1452	1463	1474	1485	1497	1508
2.7	0.879	1452	1463	1474	1486	1497	1508	1520	1531	1543	1554	1565
2.8	0.882	1506	1517	1529	1541	1552	1564	1576	1588	1600	1612	1624
2.9	0.885	1559	1571	1583	1596	1608	1620	1632	1645	1657	1669	1681
3.0	0.888	1613	1626	1638	1651	1663	1676	1688	1701	1714	1727	1740
3.1	0.891	1667	1680	1693	1706	1719	1732	1745	1758	1771	1784	1797
3.2	0.894	1721	1734	1747	1761	1774	1788	1801	1815	1828	1842	1855
3.3	0.897	1774	1788	1802	1816	1830	1843	1857	1871	1885	1899	1913
3.4	0.900	1828	1842	1857	1871	1885	1899	1914	1928	1943	1957	1971
3.5	0.903	1882	1897	1911	1926	1940	1955	1970	1985	2000	2015	2030
3.6	0.906	1936	1951	1966	1981	1996	2011	2026	2041	2057	2072	2087
3.7	0.909	1990	2005	2020	2036	2051	2067	2082	2098	2114	2130	2145
3.8	0.912	2043	2059	2075	2091	2107	2123	2139	2155	2171	2187	2203
3.9	0.915	2097	2113	2130	2146	2162	2179	2195	2212	2228	2245	2261
4.0	0.918	2151	2167	2184	2201	2218	2234	2251	2268	2285	2302	2319
4.1	0.921	2205	2222	2239	2256	2273	2290	2308	2325	2342	2359	2376
4.2	0.924	2258	2276	2293	2311	2329	2346	2364	2382	2400	2418	2436
4.3	0.927	2312	2330	2348	2366	2384	2402	2420	2438	2457	2475	2493
4.4	0.930	2366	2384	2403	2421	2439	2458	2476	2495	2514	2533	2551
4.5	0.933	2420	2438	2457	2476	2495	2514	2533	2552	2571	2590	2609
4.6	0.936	2474	2493	2512	2531	2550	2570	2589	2609	2628	2648	2667
4.7	0.939	2527	2547	2566	2586	2606	2625	2645	2665	2685	2705	2725
4.8	0.942	2581	2601	2621	2641	2661	2681	2701	2721	2742	2762	2782
4.9	0.945	2635	2655	2676	2696	2717	2737	2758	2779	2800	2820	2840
5.0	0.948	2689	2709	2730	2751	2772	2793	2814	2835	2857	2878	2899
5.1	0.951	2742	2764	2785	2806	2827	2849	2870	2892	2914	2936	2957
5.2	0.954	2796	2818	2839	2861	2883	2905	2927	2949	2971	2993	3015
5.3	0.957	2850	2872	2894	2916	2938	2961	2983	3005	3028	3051	3073
5.4	0.960	2904	2926	2949	2971	2994	3016	3039	3062	3085	3108	3130

TABLE 24. B. VOLUME OF ROUNDWOOD TIMBER

Mid Girth(m)	Diameter (m)	Volume in cubic decimetres										
		2.60	2.61	2.62	2.63	2.64	2.65	2.66	2.67	2.68	2.69	2.70
1.0	0.827	2957	2980	3003	3026	3049	3072	3096	3119	3142	3166	3190
1.1	0.830	3011	3034	3058	3081	3105	3128	3152	3176	3199	3223	3247
1.2	0.833	3065	3089	3112	3136	3160	3184	3208	3232	3257	3281	3305
1.3	0.836	3119	3143	3167	3191	3216	3240	3264	3289	3314	3338	3362
1.4	0.840	3173	3197	3222	3246	3271	3296	3321	3346	3371	3396	3420
1.5	0.843	3226	3251	3276	3301	3326	3352	3377	3402	3428	3454	3480
1.6	0.846	3280	3305	3331	3356	3382	3408	3433	3459	3485	3511	3537
1.7	0.849	3334	3360	3385	3411	3437	3463	3489	3516	3542	3569	3595
1.8	0.852	3388	3414	3440	3466	3493	3519	3546	3573	3599	3626	3652
1.9	0.855	3441	3468	3495	3521	3548	3575	3602	3629	3656	3684	3711
2.0	0.858	3495	3522	3549	3576	3604	3631	3658	3686	3714	3741	3769
2.1	0.861	3549	3576	3604	3631	3659	3687	3715	3743	3771	3799	3828
2.2	0.864	3603	3631	3658	3686	3714	3743	3771	3799	3828	3857	3885
2.3	0.867	3657	3685	3713	3741	3770	3799	3827	3856	3885	3914	3942
2.4	0.870	3710	3739	3768	3796	3825	3854	3884	3913	3942	3972	4001
2.5	0.873	3764	3793	3822	3851	3881	3910	3940	3970	3999	4029	4058
2.6	0.876	3818	3847	3877	3906	3936	3966	3996	4026	4056	4087	4117
2.7	0.879	3872	3901	3931	3961	3992	4022	4052	4083	4114	4144	4174
2.8	0.882	3925	3956	3986	4017	4047	4078	4109	4140	4171	4202	4232
2.9	0.885	3979	4010	4041	4072	4103	4134	4165	4196	4228	4259	4290
3.0	0.888	4033	4064	4095	4127	4158	4190	4221	4253	4285	4317	4349
3.1	0.891	4087	4118	4150	4182	4213	4245	4278	4310	4342	4375	4407
3.2	0.894	4140	4172	4204	4237	4269	4301	4334	4366	4399	4432	4464
3.3	0.897	4194	4227	4259	4292	4324	4357	4390	4423	4456	4489	4521
3.4	0.900	4248	4281	4314	4347	4380	4413	4446	4480	4513	4547	4580
3.5	0.903	4302	4335	4368	4402	4435	4469	4503	4537	4571	4605	4639
3.6	0.906	4356	4389	4423	4457	4491	4525	4559	4593	4628	4662	4696
3.7	0.909	4409	4443	4477	4512	4546	4581	4615	4650	4685	4720	4754
3.8	0.912	4463	4498	4532	4567	4602	4636	4671	4707	4742	4777	4811
3.9	0.915	4517	4552	4587	4622	4657	4692	4728	4763	4799	4835	4870
4.0	0.918	4571	4606	4641	4677	4712	4748	4784	4820	4856	4893	4929
4.1	0.921	4624	4660	4696	4732	4768	4804	4840	4877	4913	4950	4987
4.2	0.924	4678	4714	4750	4787	4823	4860	4897	4934	4971	5008	5045
4.3	0.927	4732	4768	4805	4842	4879	4915	4953	4990	5028	5065	5102
4.4	0.930	4786	4823	4860	4897	4934	4972	5009	5047	5085	5123	5160
4.5	0.933	4840	4877	4914	4952	4990	5027	5065	5104	5142	5180	5218
4.6	0.936	4893	4931	4969	5007	5045	5083	5122	5160	5199	5238	5276
4.7	0.939	4947	4985	5023	5062	5100	5139	5178	5217	5256	5296	5334
4.8	0.942	5001	5039	5078	5117	5156	5195	5234	5274	5313	5353	5392
4.9	0.945	5055	5094	5133	5172	5211	5251	5291	5330	5370	5411	5450
5.0	0.948	5108	5148	5187	5227	5267	5307	5347	5387	5428	5468	5508
5.1	0.951	5162	5202	5242	5282	5322	5363	5403	5444	5485	5526	5566
5.2	0.954	5216	5257									

TABLE 25. A. VOLUME OF ROUNDWOOD TIMBER

Mid Girth(m)	2.70	2.71	2.72	2.73	2.74	2.75	2.76	2.77	2.78	2.79
Diameter (m)	0.859 0.862 0.865 0.868 0.871 0.875 0.878 0.881 0.884 0.887									
Length (m)	Volume in cubic decimetres									
1.0	580	584	589	593	597	602	606	610	615	619
1.1	638	647	652	657	662	667	671	676	681	686
1.2	696	701	706	711	717	722	727	732	738	743
1.3	754	759	765	771	776	782	788	793	799	805
1.4	812	818	824	830	836	842	848	854	861	867
1.5	870	876	883	889	896	902	909	916	922	929
1.6	928	935	942	949	956	962	970	977	984	991
1.7	986	993	1000	1008	1015	1023	1030	1038	1045	1053
1.8	1044	1052	1059	1067	1075	1083	1091	1099	1107	1115
1.9	1102	1110	1118	1126	1134	1143	1151	1160	1168	1176
2.0	1160	1168	1177	1186	1194	1203	1212	1221	1230	1238
2.1	1218	1227	1236	1245	1254	1263	1272	1282	1291	1300
2.2	1276	1285	1295	1304	1314	1323	1333	1343	1352	1362
2.3	1334	1344	1354	1364	1374	1384	1394	1404	1414	1424
2.4	1392	1402	1412	1423	1433	1444	1454	1465	1475	1486
2.5	1450	1460	1471	1482	1493	1504	1515	1526	1537	1548
2.6	1508	1519	1530	1541	1553	1564	1575	1587	1598	1610
2.7	1566	1577	1589	1601	1612	1624	1636	1648	1660	1672
2.8	1624	1636	1648	1660	1672	1684	1697	1709	1721	1734
2.9	1682	1694	1707	1719	1732	1745	1757	1770	1783	1796
3.0	1740	1753	1766	1779	1792	1805	1818	1831	1844	1858
3.1	1798	1811	1824	1838	1851	1865	1878	1892	1906	1919
3.2	1856	1869	1883	1897	1911	1925	1939	1953	1967	1981
3.3	1914	1928	1942	1956	1971	1985	2000	2014	2029	2043
3.4	1972	1986	2001	2016	2030	2045	2060	2075	2090	2105
3.5	2030	2045	2060	2075	2090	2105	2121	2136	2152	2167
3.6	2088	2103	2119	2134	2150	2166	2181	2197	2213	2229
3.7	2146	2162	2177	2194	2210	2226	2242	2258	2275	2291
3.8	2204	2220	2236	2253	2269	2286	2303	2319	2336	2353
3.9	2262	2278	2295	2312	2329	2346	2363	2380	2398	2415
4.0	2320	2337	2354	2371	2389	2406	2424	2441	2459	2477
4.1	2378	2395	2413	2431	2449	2466	2484	2502	2521	2539
4.2	2436	2454	2472	2490	2508	2527	2545	2563	2582	2601
4.3	2494	2512	2531	2550	2568	2587	2606	2624	2643	2663
4.4	2551	2570	2589	2609	2628	2647	2666	2686	2705	2724
4.5	2609	2629	2648	2668	2687	2707	2727	2747	2766	2786
4.6	2667	2687	2707	2727	2747	2767	2787	2808	2828	2848
4.7	2725	2746	2766	2786	2807	2827	2848	2869	2889	2910
4.8	2783	2804	2825	2846	2867	2887	2909	2930	2951	2972
4.9	2841	2863	2884	2905	2926	2948	2969	2991	3012	3034
5.0	2899	2921	2943	2964	2986	3008	3030	3052	3074	3096
5.1	2957	2979	3001	3024	3046	3068	3090	3113	3135	3158
5.2	3015	3038	3060	3083	3105	3128	3151	3174	3197	3220
5.3	3073	3096	3119	3142	3165	3188	3212	3235	3258	3282
5.4	3131	3155	3178	3201	3225	3248	3272	3296	3320	3344

TABLE 25. B. VOLUME OF ROUNDWOOD TIMBER

Mid Girth(m)	2.70	2.71	2.72	2.73	2.74	2.75	2.76	2.77	2.78	2.79
Diameter (m)	0.859 0.862 0.865 0.868 0.871 0.875 0.878 0.881 0.884 0.887									
Length (m)	Volume in cubic decimetres									
5.5	3189	3213	3237	3261	3285	3309	3333	3357	3381	3406
5.6	3247	3271	3295	3320	3344	3369	3393	3418	3443	3467
5.7	3305	3330	3355	3379	3404	3429	3454	3479	3504	3529
5.8	3363	3388	3413	3438	3464	3489	3514	3540	3566	3591
5.9	3421	3447	3472	3498	3523	3549	3575	3601	3627	3653
6.0	3479	3505	3531	3557	3583	3609	3636	3662	3689	3715
6.1	3537	3564	3590	3616	3643	3670	3696	3723	3750	3777
6.2	3595	3622	3649	3676	3703	3730	3757	3784	3812	3839
6.3	3653	3680	3708	3735	3762	3790	3817	3845	3873	3901
6.4	3711	3739	3767	3794	3822	3850	3878	3906	3934	3963
6.5	3769	3797	3825	3853	3882	3910	3939	3967	3996	4025
6.6	3827	3856	3884	3913	3941	3970	3999	4028	4057	4087
6.7	3885	3914	3943	3972	4001	4030	4060	4089	4119	4149
6.8	3943	3972	4002	4031	4061	4091	4120	4150	4180	4210
6.9	4001	4031	4061	4091	4121	4151	4181	4211	4242	4272
7.0	4059	4089	4120	4150	4180	4211	4242	4272	4303	4334
7.1	4117	4148	4178	4209	4240	4271	4302	4333	4365	4396
7.2	4175	4206	4237	4268	4300	4331	4363	4394	4426	4458
7.3	4233	4264	4296	4328	4360	4392	4424	4456	4488	4520
7.4	4291	4323	4355	4387	4419	4452	4484	4517	4549	4582
7.5	4349	4381	4414	4446	4479	4512	4545	4578	4611	4644
7.6	4407	4440	4473	4506	4539	4572	4605	4639	4672	4706
7.7	4465	4498	4532	4565	4598	4632	4666	4700	4734	4768
7.8	4523	4557	4590	4624	4658	4692	4726	4761	4795	4830
7.9	4581	4615	4649	4683	4718	4752	4787	4822	4857	4892
8.0	4639	4674	4708	4743	4778	4812	4848	4883	4918	4954
8.1	4697	4732	4767	4802	4837	4873	4908	4944	4980	5015
8.2	4755	4790	4826	4861	4897	4933	4969	5005	5041	5077
8.3	4813	4849	4885	4921	4957	4993	5029	5066	5103	5139
8.4	4871	4907	4943	4980	5016	5053	5090	5127	5164	5201
8.5	4929	4966	5002	5039	5076	5113	5151	5188	5225	5263
8.6	4987	5024	5061	5098	5136	5173	5211	5249	5287	5325
8.7	5045	5082	5120	5158	5196	5234	5272	5310	5348	5387
8.8	5103	5141	5179	5217	5255	5294	5332	5371	5410	5449
8.9	5161	5199	5238	5276	5315	5354	5393	5432	5471	5511
9.0	5219	5258	5297	5336	5375	5414	5454	5493	5533	5573
9.1	5277	5316	5355	5395	5434	5474	5514	5554	5594	5635
9.2	5335	5375	5414	5454	5494	5534	5575	5616	5656	5697
9.3	5393	5433	5473	5513	5554	5595	5635	5676	5717	5758
9.4	5451	5491	5532	5573	5614	5655	5696	5737	5779	5820
9.5	5509	5550	5591	5632	5673	5715	5756	5798	5840	5882
9.6	5567	5608	5650	5691	5733	5775	5817	5859	5902	5944
9.7	5625	5667	5709	5751	5793	5835	5878	5920	5963	6006
9.8	5683	5725	5767	5810	5853	5895	5938	5981	6025	6068
9.9	5741	5783	5825	5869	5912	5955	5999	6042	6086	6130

TABLE 26 A. VOLUME OF ROUNDWOOD TIMBER

Mid Girth(m)	2.80	2.81	2.82	2.83	2.84	2.85	2.86	2.87	2.88	2.89
Diameter (m)	0.890	0.894	0.897	0.900	0.903	0.906	0.910	0.913	0.916	0.919
Length (m)	Volume in cubic decimetres									
1.0	624	628	633	637	642	646	651	655	660	664
1.1	686	691	696	701	706	711	716	721	726	731
1.2	748	754	759	764	770	775	781	786	792	797
1.3	811	817	822	828	834	840	846	852	858	864
1.4	873	879	886	892	898	905	911	917	924	930
1.5	935	942	949	956	962	969	976	983	990	997
1.6	988	1005	1012	1019	1027	1034	1041	1048	1056	1063
1.7	1060	1068	1075	1083	1091	1098	1106	1114	1122	1129
1.8	1123	1131	1139	1147	1155	1163	1171	1179	1188	1196
1.9	1185	1193	1202	1210	1219	1228	1236	1245	1254	1262
2.0	1247	1256	1265	1274	1283	1292	1301	1310	1320	1329
2.1	1310	1319	1328	1338	1347	1357	1366	1376	1386	1395
2.2	1372	1382	1392	1402	1411	1421	1431	1441	1452	1462
2.3	1434	1443	1455	1465	1476	1486	1496	1507	1517	1528
2.4	1497	1507	1518	1529	1540	1551	1562	1572	1583	1594
2.5	1559	1570	1581	1593	1604	1615	1627	1638	1649	1661
2.6	1621	1633	1645	1656	1668	1680	1692	1704	1715	1727
2.7	1684	1696	1708	1720	1732	1744	1757	1769	1781	1794
2.8	1746	1759	1771	1784	1796	1809	1822	1835	1847	1860
2.9	1809	1821	1834	1848	1861	1874	1887	1900	1913	1927
3.0	1871	1884	1898	1911	1925	1938	1952	1966	1979	1993
3.1	1933	1947	1961	1975	1989	2003	2017	2031	2045	2060
3.2	1996	2010	2024	2039	2053	2068	2082	2097	2111	2126
3.3	2058	2073	2088	2102	2117	2132	2147	2162	2177	2192
3.4	2120	2136	2151	2166	2181	2197	2212	2228	2243	2259
3.5	2183	2198	2214	2230	2246	2261	2277	2293	2309	2325
3.6	2245	2261	2277	2293	2310	2326	2342	2359	2375	2392
3.7	2307	2324	2341	2357	2374	2391	2407	2424	2441	2458
3.8	2370	2387	2404	2421	2438	2455	2472	2490	2507	2525
3.9	2432	2450	2467	2485	2502	2520	2538	2555	2573	2591
4.0	2495	2512	2530	2548	2566	2584	2603	2621	2639	2657
4.1	2557	2575	2594	2612	2630	2649	2668	2686	2705	2724
4.2	2619	2638	2657	2676	2695	2714	2733	2752	2771	2790
4.3	2682	2701	2720	2739	2759	2778	2798	2817	2837	2857
4.4	2744	2764	2783	2803	2823	2843	2863	2883	2903	2923
4.5	2806	2826	2847	2867	2887	2907	2928	2948	2969	2990
4.6	2869	2889	2910	2931	2951	2972	2993	3014	3035	3056
4.7	2931	2952	2973	2994	3015	3037	3058	3079	3101	3123
4.8	2993	3015	3036	3058	3080	3101	3123	3145	3167	3189
4.9	3056	3078	3100	3122	3144	3166	3188	3211	3233	3255
5.0	3118	3140	3163	3185	3208	3231	3253	3276	3299	3322
5.1	3181	3203	3226	3249	3272	3295	3318	3342	3365	3388
5.2	3243	3266	3289	3313	3336	3360	3383	3407	3431	3455
5.3	3305	3329	3353	3376	3400	3424	3448	3473	3497	3521
5.4	3368	3392	3416	3440	3465	3489	3514	3538	3563	3588

TABLE 26 B. VOLUME OF ROUNDWOOD TIMBER

Mid Girth(m)	2.80	2.81	2.82	2.83	2.84	2.85	2.86	2.87	2.88	2.89
Diameter (m)	0.890	0.894	0.897	0.900	0.903	0.906	0.910	0.913	0.916	0.919
Length (m)	Volume in cubic decimetres									
5.5	3430	3455	3479	3504	3529	3554	3579	3604	3629	3654
5.6	3492	3517	3542	3568	3593	3618	3644	3669	3695	3720
5.7	3555	3580	3606	3631	3657	3683	3709	3735	3761	3787
5.8	3617	3643	3669	3695	3721	3747	3774	3800	3827	3853
5.9	3679	3706	3732	3759	3785	3812	3839	3866	3893	3920
6.0	3742	3769	3795	3822	3849	3877	3904	3931	3959	3986
6.1	3804	3831	3859	3886	3914	3941	3969	3997	4025	4053
6.2	3867	3894	3922	3950	3978	4006	4034	4062	4091	4119
6.3	3929	3957	3985	4014	4042	4070	4099	4128	4157	4186
6.4	3991	4020	4048	4077	4106	4135	4164	4193	4223	4252
6.5	4054	4083	4112	4141	4170	4200	4229	4259	4289	4318
6.6	4116	4145	4175	4205	4234	4264	4294	4324	4355	4385
6.7	4178	4208	4238	4268	4299	4329	4359	4390	4421	4451
6.8	4241	4271	4302	4332	4363	4394	4424	4455	4487	4518
6.9	4303	4334	4365	4396	4427	4458	4489	4521	4552	4584
7.0	4365	4397	4429	4460	4491	4523	4555	4586	4618	4651
7.1	4428	4460	4491	4523	4555	4587	4620	4652	4684	4717
7.2	4490	4522	4555	4587	4619	4652	4685	4717	4750	4783
7.3	4553	4585	4618	4651	4684	4717	4750	4783	4816	4850
7.4	4615	4648	4681	4714	4748	4781	4815	4849	4882	4916
7.5	4677	4711	4744	4778	4812	4846	4880	4914	4948	4983
7.6	4740	4774	4808	4842	4876	4910	4945	4980	5014	5049
7.7	4802	4836	4871	4905	4940	4975	5010	5045	5080	5116
7.8	4864	4899	4934	4969	5004	5040	5075	5111	5146	5182
7.9	4927	4962	4997	5033	5068	5104	5140	5176	5212	5249
8.0	4989	5025	5061	5097	5133	5169	5205	5242	5278	5315
8.1	5051	5088	5124	5160	5197	5233	5270	5307	5344	5381
8.2	5114	5150	5187	5224	5261	5298	5335	5373	5410	5448
8.3	5176	5213	5250	5288	5325	5363	5400	5438	5476	5514
8.4	5239	5276	5314	5351	5389	5427	5465	5504	5542	5581
8.5	5301	5339	5377	5415	5453	5492	5531	5569	5608	5647
8.6	5363	5402	5440	5479	5518	5557	5596	5635	5674	5714
8.7	5426	5464	5503	5543	5582	5621	5661	5700	5740	5780
8.8	5488	5527	5567	5606	5646	5686	5726	5766	5806	5846
8.9	5550	5590	5630	5670	5710	5750	5791	5831	5872	5913
9.0	5613	5653	5693	5734	5774	5815	5856	5897	5938	5979
9.1	5675	5716	5756	5797	5838	5880	5921	5962	6004	6046
9.2	5737	5779	5820	5861	5903	5944	5986	6028	6070	6112
9.3	5800	5841	5883	5925	5967	6009	6051	6093	6136	6179
9.4	5862	5904	5946	5988	6031	6073	6116	6159	6202	6245
9.5	5925	5967	6009	6052	6095	6138	6181	6224	6268	6312
9.6	5987	6030	6073	6116	6159	6203	6246	6290	6334	6378
9.7	6049	6093	6136	6180	6223	6267	6311	6356	6400	6444
9.8	6112	6155	6199	6243	6288	6332	6376	6421	6466	6511
9.9	6174	6218	6263	6307	6352	6396	6441	6487	6532	6577

TABLE 27. A. VOLUME OF ROUNDWOOD TIMBER

Mid Girth(m)	2.90	2.91	2.92	2.93	2.94	2.95	2.96	2.97	2.98	2.99
Diameter (m)	0.922	0.925	0.929	0.932	0.935	0.938	0.941	0.945	0.948	0.951
Length (m)	Volume in cubic decimetres									
1.0	669	674	678	683	688	692	697	702	706	711
1.1	736	741	746	751	756	761	767	772	777	782
1.2	803	808	814	819	825	831	836	842	848	853
1.3	870	876	882	888	894	900	906	912	918	924
1.4	937	943	950	956	963	969	976	982	989	996
1.5	1003	1010	1017	1024	1031	1038	1045	1052	1060	1067
1.6	1070	1078	1085	1093	1100	1108	1115	1123	1130	1138
1.7	1137	1145	1153	1161	1169	1177	1185	1193	1201	1209
1.8	1204	1212	1221	1229	1238	1246	1255	1263	1272	1280
1.9	1271	1280	1289	1297	1306	1315	1324	1333	1342	1351
2.0	1338	1347	1356	1366	1375	1384	1394	1403	1413	1422
2.1	1405	1415	1424	1434	1444	1454	1464	1473	1483	1493
2.2	1472	1482	1492	1502	1513	1523	1533	1544	1554	1565
2.3	1539	1549	1560	1571	1581	1592	1603	1614	1625	1636
2.4	1606	1617	1628	1639	1650	1661	1673	1684	1695	1707
2.5	1672	1684	1696	1707	1719	1731	1742	1754	1766	1778
2.6	1739	1751	1763	1776	1788	1800	1812	1824	1837	1849
2.7	1806	1819	1831	1844	1856	1869	1882	1894	1907	1920
2.8	1873	1886	1899	1912	1925	1938	1951	1965	1978	1991
2.9	1940	1953	1967	1980	1994	2008	2021	2035	2049	2062
3.0	2007	2021	2035	2049	2063	2077	2091	2105	2119	2133
3.1	2074	2088	2103	2117	2131	2146	2161	2175	2190	2205
3.2	2141	2156	2170	2185	2200	2215	2230	2245	2260	2275
3.3	2208	2223	2238	2254	2269	2284	2300	2315	2331	2347
3.4	2275	2290	2306	2322	2338	2354	2370	2386	2402	2418
3.5	2341	2358	2374	2390	2406	2423	2439	2456	2472	2489
3.6	2408	2425	2442	2458	2475	2492	2509	2526	2543	2560
3.7	2475	2492	2509	2527	2544	2561	2579	2596	2614	2631
3.8	2542	2560	2577	2595	2613	2631	2648	2666	2684	2702
3.9	2609	2627	2645	2663	2681	2700	2718	2736	2755	2773
4.0	2675	2694	2713	2732	2750	2769	2788	2807	2826	2845
4.1	2743	2762	2781	2800	2819	2838	2857	2877	2896	2916
4.2	2810	2829	2849	2868	2888	2907	2927	2947	2967	2987
4.3	2877	2896	2916	2936	2957	2977	2997	3017	3038	3058
4.4	2943	2964	2984	3005	3025	3046	3067	3087	3108	3129
4.5	3010	3031	3052	3073	3094	3115	3136	3157	3179	3200
4.6	3077	3099	3120	3141	3163	3184	3206	3228	3249	3271
4.7	3144	3166	3188	3210	3232	3254	3276	3298	3320	3342
4.8	3211	3233	3256	3278	3300	3323	3345	3368	3391	3413
4.9	3278	3301	3323	3346	3369	3392	3415	3438	3461	3485
5.0	3345	3368	3391	3414	3438	3461	3485	3508	3532	3556
5.1	3412	3435	3459	3483	3507	3530	3554	3578	3603	3627
5.2	3479	3503	3527	3551	3575	3600	3624	3649	3673	3698
5.3	3546	3570	3595	3619	3644	3669	3694	3719	3744	3769
5.4	3612	3637	3662	3688	3713	3738	3764	3789	3815	3840

TABLE 27. B. VOLUME OF ROUNDWOOD TIMBER

Mid Girth(m)	2.90	2.91	2.92	2.93	2.94	2.95	2.96	2.97	2.98	2.99
Diameter (m)	0.922	0.925	0.929	0.932	0.935	0.938	0.941	0.945	0.948	0.951
Length (m)	Volume in cubic decimetres									
5.5	3679	3705	3730	3756	3782	3807	3833	3859	3885	3911
5.6	3746	3772	3798	3824	3850	3877	3903	3929	3956	3982
5.7	3813	3840	3866	3892	3919	3946	3973	3999	4026	4054
5.8	3880	3907	3934	3961	3988	4015	4042	4070	4097	4125
5.9	3947	3974	4002	4029	4057	4084	4112	4140	4168	4196
6.0	4014	4042	4069	4097	4125	4153	4182	4210	4238	4267
6.1	4081	4109	4137	4166	4194	4223	4251	4280	4309	4338
6.2	4148	4176	4205	4234	4263	4292	4321	4350	4380	4409
6.3	4215	4244	4273	4302	4332	4361	4391	4420	4450	4480
6.4	4281	4311	4341	4370	4400	4430	4460	4491	4521	4551
6.5	4348	4378	4409	4439	4469	4500	4530	4561	4592	4622
6.6	4415	4446	4476	4507	4538	4569	4600	4631	4662	4694
6.7	4482	4513	4544	4575	4607	4638	4670	4701	4733	4765
6.8	4549	4580	4612	4644	4675	4707	4739	4771	4803	4836
6.9	4616	4648	4680	4712	4744	4776	4809	4841	4874	4907
7.0	4683	4715	4748	4780	4813	4846	4879	4912	4945	4978
7.1	4750	4783	4815	4849	4882	4915	4948	4982	5015	5049
7.2	4817	4850	4883	4917	4950	4984	5018	5052	5086	5120
7.3	4884	4917	4951	4985	5019	5053	5088	5122	5157	5191
7.4	4950	4985	5019	5053	5088	5123	5157	5192	5227	5262
7.5	5017	5052	5087	5122	5157	5192	5227	5262	5298	5334
7.6	5084	5119	5155	5190	5225	5261	5297	5333	5369	5405
7.7	5151	5187	5222	5258	5294	5330	5366	5403	5439	5476
7.8	5218	5254	5290	5327	5363	5400	5436	5473	5510	5547
7.9	5285	5321	5358	5395	5432	5469	5506	5543	5581	5618
8.0	5352	5389	5426	5463	5500	5538	5576	5613	5651	5689
8.1	5419	5456	5494	5531	5569	5607	5645	5683	5722	5760
8.2	5486	5524	5562	5600	5638	5676	5715	5754	5792	5831
8.3	5553	5591	5629	5668	5707	5746	5785	5824	5863	5902
8.4	5619	5658	5697	5736	5775	5815	5854	5894	5934	5974
8.5	5686	5725	5765	5805	5844	5884	5924	5964	6004	6045
8.6	5753	5793	5833	5873	5913	5953	5994	6034	6075	6116
8.7	5820	5860	5901	5941	5982	6023	6063	6104	6146	6187
8.8	5887	5928	5968	6009	6051	6092	6133	6175	6216	6258
8.9	5954	5995	6036	6078	6119	6161	6203	6245	6287	6329
9.0	6021	6062	6104	6146	6188	6230	6273	6315	6358	6400
9.1	6088	6130	6172	6214	6257	6299	6342	6385	6428	6471
9.2	6155	6197	6240	6283	6326	6369	6412	6455	6499	6543
9.3	6222	6264	6308	6351	6394	6438	6482	6525	6569	6614
9.4	6289	6332	6375	6419	6463	6507	6551	6596	6640	6685
9.5	6356	6399	6443	6487	6532	6576	6621	6666	6711	6756
9.6	6423	6467	6511	6556	6601	6646	6691	6736	6781	6827
9.7	6490	6534	6579	6624	6669	6715	6760	6805	6852	6898
9.8	6557	6601	6647	6692	6738	6784	6830	6876	6923	6969
9.9	6623	6669	6715	6761	6807	6853	6900	6946	6993	7040

TABLE 28 A. VOLUME OF ROUNDWOOD TIMBER

Mid Girth(m)	Diameter (m)	Volume in cubic decimetres									
		3.00	3.01	3.02	3.03	3.04	3.05	3.06	3.07	3.08	3.09
1.0		716	721	725	730	735	740	745	750	755	760
1.1		787	793	798	803	809	814	819	825	830	835
1.2		859	865	871	876	882	888	894	900	906	911
1.3		931	937	943	949	956	962	968	975	981	987
1.4		1002	1009	1016	1022	1029	1035	1043	1050	1056	1063
1.5		1074	1081	1088	1095	1103	1110	1117	1125	1132	1139
1.6		1145	1153	1161	1168	1176	1184	1192	1200	1207	1215
1.7		1217	1225	1233	1242	1250	1258	1266	1275	1283	1291
1.8		1289	1297	1306	1315	1323	1332	1341	1349	1358	1367
1.9		1360	1369	1378	1388	1397	1406	1415	1424	1434	1443
2.0		1432	1441	1451	1461	1470	1480	1490	1499	1509	1519
2.1		1503	1513	1524	1534	1544	1554	1564	1574	1585	1595
2.2		1575	1586	1596	1607	1617	1628	1639	1649	1660	1671
2.3		1647	1658	1669	1680	1691	1702	1713	1724	1736	1747
2.4		1718	1730	1741	1753	1764	1776	1788	1799	1811	1823
2.5		1790	1802	1814*	1826	1838	1850	1862	1874	1886	1899
2.6		1861	1874	1886	1899	1911	1924	1937	1949	1962	1975
2.7		1933	1946	1959	1972	1985	1998	2011	2024	2037	2051
2.8		2005	2018	2031	2045	2058	2072	2086	2099	2113	2127
2.9		2076	2090	2104	2118	2132	2146	2160	2174	2188	2203
3.0		2148	2162	2176	2191	2205	2220	2234	2249	2264	2279
3.1		2219	2234	2249	2264	2279	2294	2309	2324	2339	2354
3.2		2291	2306	2322	2337	2352	2368	2383	2399	2415	2430
3.3		2362	2378	2394	2410	2426	2442	2458	2474	2490	2506
3.4		2434	2450	2467	2483	2499	2515	2532	2549	2566	2582
3.5		2506	2522	2539	2556	2573	2590	2607	2624	2641	2658
3.6		2577	2594	2612	2630	2646	2664	2681	2699	2717	2734
3.7		2649	2667	2684	2702	2720	2738	2756	2774	2792	2810
3.8		2720	2739	2757	2775	2793	2812	2830	2849	2867	2886
3.9		2792	2811	2829	2848	2867	2886	2905	2924	2943	2962
4.0		2864	2883	2902	2921	2941	2960	2979	2999	3018	3038
4.1		2935	2955	2974	2994	3014	3034	3054	3074	3094	3114
4.2		3007	3027	3047	3067	3088	3108	3128	3149	3169	3190
4.3		3078	3099	3120	3140	3161	3182	3203	3224	3245	3266
4.4		3150	3171	3192	3213	3235	3256	3277	3299	3320	3342
4.5		3222	3243	3265	3286	3308	3330	3352	3374	3396	3418
4.6		3293	3315	3337	3359	3382	3404	3426	3449	3471	3494
4.7		3365	3387	3410	3432	3455	3478	3501	3524	3547	3570
4.8		3436	3459	3482	3505	3529	3552	3575	3599	3622	3646
4.9		3508	3531	3555	3578	3602	3626	3650	3674	3698	3722
5.0		3580	3603	3627	3651	3676	3700	3724	3749	3773	3798
5.1		3651	3676	3700	3725	3749	3774	3799	3824	3848	3873
5.2		3723	3748	3773	3798	3823	3848	3873	3898	3924	3949
5.3		3794	3820	3845	3871	3896	3922	3948	3973	3999	4025
5.4		3866	3892	3918	3944	3970	3996	4022	4048	4075	4101

TABLE 28 B. VOLUME OF ROUNDWOOD TIMBER

Mid Girth(m)	Diameter (m)	Volume in cubic decimetres									
		3.00	3.01	3.02	3.03	3.04	3.05	3.06	3.07	3.08	3.09
5.5		3937	3964	3990	4017	4043	4070	4097	4123	4150	4177
5.6		4009	4036	4063	4090	4117	4144	4171	4198	4226	4253
5.7		4081	4108	4135	4163	4190	4218	4246	4273	4301	4329
5.8		4152	4180	4208	4236	4264	4292	4320	4348	4377	4405
5.9		4224	4252	4280	4309	4337	4366	4395	4423	4452	4481
6.0		4295	4324	4353	4382	4411	4440	4469	4498	4528	4557
6.1		4367	4396	4425	4455	4484	4514	4543	4573	4603	4633
6.2		4438	4468	4498	4528	4558	4588	4618	4648	4679	4709
6.3		4510	4540	4571	4601	4631	4662	4692	4723	4754	4785
6.4		4582	4612	4643	4674	4705	4736	4767	4798	4829	4861
6.5		4653	4684	4716	4747	4778	4810	4841	4873	4905	4937
6.6		4725	4757	4788	4820	4852	4884	4916	4948	4980	5013
6.7		4797	4829	4861	4893	4925	4958	4990	5023	5056	5089
6.8		4868	4901	4933	4966	4999	5032	5065	5098	5131	5165
6.9		4940	4973	5006	5039	5072	5106	5139	5173	5207	5241
7.0		5011	5045	5078	5112	5146	5180	5214	5248	5282	5317
7.1		5083	5117	5151	5185	5219	5254	5288	5323	5358	5393
7.2		5155	5189	5224	5258	5293	5328	5363	5398	5433	5468
7.3		5226	5261	5296	5331	5366	5402	5437	5473	5509	5544
7.4		5298	5333	5369	5404	5440	5476	5512	5548	5584	5620
7.5		5369	5405	5441	5477	5513	5550	5586	5623	5659	5696
7.6		5441	5477	5514	5550	5587	5624	5661	5698	5735	5772
7.7		5512	5549	5586	5623	5660	5698	5735	5773	5810	5848
7.8		5584	5621	5659	5696	5734	5772	5810	5848	5886	5924
7.9		5656	5693	5731	5769	5808	5846	5884	5923	5961	6000
8.0		5727	5766	5804	5842	5881	5920	5959	5998	6037	6076
8.1		5799	5838	5876	5915	5955	5994	6033	6073	6112	6152
8.2		5870	5910	5949	5988	6028	6068	6108	6148	6188	6228
8.3		5942	5982	6022	6061	6102	6142	6182	6223	6263	6304
8.4		6014	6054	6094	6135	6175	6216	6257	6298	6339	6380
8.5		6085	6126	6167	6208	6249	6290	6331	6373	6414	6456
8.6		6157	6198	6239	6281	6322	6364	6406	6447	6489	6532
8.7		6228	6270	6312	6354	6396	6438	6480	6522	6565	6608
8.8		6300	6342	6384	6427	6469	6512	6555	6597	6640	6684
8.9		6372	6414	6457	6500	6543	6586	6629	6672	6716	6760
9.0		6443	6486	6529	6573	6616	6660	6703	6747	6791	6836
9.1		6515	6558	6602	6646	6690	6734	6778	6822	6867	6912
9.2		6586	6630	6674	6719	6763	6808	6852	6897	6942	6987
9.3		6658	6702	6747	6792	6837	6882	6927	6972	7018	7063
9.4		6730	6774	6820	6865	6910	6956	7001	7047	7093	7139
9.5		6801	6847	6892	6938	6984	7030	7076	7122	7169	7215
9.6		6873	6919	6965	7011	7057	7104	7150	7197	7244	7291
9.7		6944	6991	7037	7084	7131	7178	7225	7272	7320	7367
9.8		7016	7063	7110	7157	7204	7252	7299	7347	7395	7443
9.9		7087	7135	7182	7230	7278	7326	7374	7422	7471	7519



TABLE 29 A. VOLUME OF ROUNDWOOD TIMBER

TABLE 29 B. VOLUME OF ROUNDWOOD TIMBER

Mid Girth(m)	Diameter (m)	Volume in cubic decimetres																																																																																																																																																																																																																																																																																																																																																																																																																																																																																																																																																																																																																																																																																																																																																																																																																																																																																																																																																																																																																																																																																																																																																																																																																																																		
		3.10	3.11	3.12	3.13	3.14	3.15	3.16	3.17	3.18	3.19	3.20	3.11	3.12	3.13	3.14	3.15	3.16	3.17	3.18	3.19																																																																																																																																																																																																																																																																																																																																																																																																																																																																																																																																																																																																																																																																																																																																																																																																																																																																																																																																																																																																																																																																																																																																																																																																																															
1.0	764	769	774	779	784	789	794	799	804	809	814	819	824	829	834	839	844	849	854	859	864	869	874	879	884	889	894	899	904	909	914	919	924	929	934	939	944	949	954	959	964	969	974	979	984	989	994	999	1004	1009	1014	1019	1024	1029	1034	1039	1044	1049	1054	1059	1064	1069	1074	1079	1084	1089	1094	1099	1104	1109	1114	1119	1124	1129	1134	1139	1144	1149	1154	1159	1164	1169	1174	1179	1184	1189	1194	1199	1204	1209	1214	1219	1224	1229	1234	1239	1244	1249	1254	1259	1264	1269	1274	1279	1284	1289	1294	1299	1304	1309	1314	1319	1324	1329	1334	1339	1344	1349	1354	1359	1364	1369	1374	1379	1384	1389	1394	1399	1404	1409	1414	1419	1424	1429	1434	1439	1444	1449	1454	1459	1464	1469	1474	1479	1484	1489	1494	1499	1504	1509	1514	1519	1524	1529	1534	1539	1544	1549	1554	1559	1564	1569	1574	1579	1584	1589	1594	1599	1604	1609	1614	1619	1624	1629	1634	1639	1644	1649	1654	1659	1664	1669	1674	1679	1684	1689	1694	1699	1704	1709	1714	1719	1724	1729	1734	1739	1744	1749	1754	1759	1764	1769	1774	1779	1784	1789	1794	1799	1804	1809	1814	1819	1824	1829	1834	1839	1844	1849	1854	1859	1864	1869	1874	1879	1884	1889	1894	1899	1904	1909	1914	1919	1924	1929	1934	1939	1944	1949	1954	1959	1964	1969	1974	1979	1984	1989	1994	1999	2004	2009	2014	2019	2024	2029	2034	2039	2044	2049	2054	2059	2064	2069	2074	2079	2084	2089	2094	2099	2104	2109	2114	2119	2124	2129	2134	2139	2144	2149	2154	2159	2164	2169	2174	2179	2184	2189	2194	2199	2204	2209	2214	2219	2224	2229	2234	2239	2244	2249	2254	2259	2264	2269	2274	2279	2284	2289	2294	2299	2304	2309	2314	2319	2324	2329	2334	2339	2344	2349	2354	2359	2364	2369	2374	2379	2384	2389	2394	2399	2404	2409	2414	2419	2424	2429	2434	2439	2444	2449	2454	2459	2464	2469	2474	2479	2484	2489	2494	2499	2504	2509	2514	2519	2524	2529	2534	2539	2544	2549	2554	2559	2564	2569	2574	2579	2584	2589	2594	2599	2604	2609	2614	2619	2624	2629	2634	2639	2644	2649	2654	2659	2664	2669	2674	2679	2684	2689	2694	2699	2704	2709	2714	2719	2724	2729	2734	2739	2744	2749	2754	2759	2764	2769	2774	2779	2784	2789	2794	2799	2804	2809	2814	2819	2824	2829	2834	2839	2844	2849	2854	2859	2864	2869	2874	2879	2884	2889	2894	2899	2904	2909	2914	2919	2924	2929	2934	2939	2944	2949	2954	2959	2964	2969	2974	2979	2984	2989	2994	2999	3004	3009	3014	3019	3024	3029	3034	3039	3044	3049	3054	3059	3064	3069	3074	3079	3084	3089	3094	3099	3104	3109	3114	3119	3124	3129	3134	3139	3144	3149	3154	3159	3164	3169	3174	3179	3184	3189	3194	3199	3204	3209	3214	3219	3224	3229	3234	3239	3244	3249	3254	3259	3264	3269	3274	3279	3284	3289	3294	3299	3304	3309	3314	3319	3324	3329	3334	3339	3344	3349	3354	3359	3364	3369	3374	3379	3384	3389	3394	3399	3404	3409	3414	3419	3424	3429	3434	3439	3444	3449	3454	3459	3464	3469	3474	3479	3484	3489	3494	3499	3504	3509	3514	3519	3524	3529	3534	3539	3544	3549	3554	3559	3564	3569	3574	3579	3584	3589	3594	3599	3604	3609	3614	3619	3624	3629	3634	3639	3644	3649	3654	3659	3664	3669	3674	3679	3684	3689	3694	3699	3704	3709	3714	3719	3724	3729	3734	3739	3744	3749	3754	3759	3764	3769	3774	3779	3784	3789	3794	3799	3804	3809	3814	3819	3824	3829	3834	3839	3844	3849	3854	3859	3864	3869	3874	3879	3884	3889	3894	3899	3904	3909	3914	3919	3924	3929	3934	3939	3944	3949	3954	3959	3964	3969	3974	3979	3984	3989	3994	3999	4004	4009	4014	4019	4024	4029	4034	4039	4044	4049	4054	4059	4064	4069	4074	4079	4084	4089	4094	4099	4104	4109	4114	4119	4124	4129	4134	4139	4144	4149	4154	4159	4164	4169	4174	4179	4184	4189	4194	4199	4204	4209	4214	4219	4224	4229	4234	4239	4244	4249	4254	4259	4264	4269	4274	4279	4284	4289	4294	4299	4304	4309	4314	4319	4324	4329	4334	4339	4344	4349	4354	4359	4364	4369	4374	4379	4384	4389	4394	4399	4404	4409	4414	4419	4424	4429	4434	4439	4444	4449	4454	4459	4464	4469	4474	4479	4484	4489	4494	4499	4504	4509	4514	4519	4524	4529	4534	4539	4544	4549	4554	4559	4564	4569	4574	4579	4584	4589	4594	4599	4604	4609	4614	4619	4624	4629	4634	4639	4644	4649	4654	4659	4664	4669	4674	4679	4684	4689	4694	4699	4704	4709	4714	4719	4724	4729	4734	4739	4744	4749	4754	4759	4764	4769	4774	4779	4784	4789	4794	4799	4804	4809	4814	4819	4824	4829	4834	4839	4844	4849	4854	4859	4864	4869	4874	4879	4884	4889	4894	4899	4904	4909	4914	4919	4924	4929	4934	4939	4944	4949	4954	4959	4964	4969	4974	4979	4984	4989	4994	4999	5004	5009	5014	5019	5024	5029	5034	5039	5044	5049	5054	5059	5064	5069	5074	5079	5084	5089	5094	5099	5104	5109	5114	5119	5124	5129	5134	5139	5144	5149	5154	5159	5164	5169	5174	5179	5184	5189	5194	5199	5204	5209	5214	5219	5224	5229	5234	5239	5244	5249	5254	5259	5264	5269	5274	5279	5284	5289	5294	5299	5304	5309	5314	5319	5324	5329	5334	5339	5344	5349	5354	5359	5364	5369	5374	5379	5384	5389	5394	5399	5404	5409	5414	5419	5424	5429	5434	5439	5444	5449	5454	5459	5464	5469	5474	5479	5484	5489	5494	5499	5504	5509	5514	5519	5524	5529	5534	5539	5544	5549	5554	5559	5564	5569	5574	5579	5584	5589	5594	5599	5604	5609	5614	5619	5624	5629	5634	5639	5644	5649	5654	5659	5664	5669	5674	5679	5684	5689	5694	5699	5704	5709	5714	5719	5724	5729	5734	5739	5744	5749	5754	5759	5764	5769	5774	5779	5784	5789	5794	5799	5804	5809	5814	5819	5824	5829	5834	5839	5844	5849	5854	5859	5864	5869	5874	5879	5884	5889	5894	5899	5904	5909	5914	5919	5924	5929	5934	5939	5944	5949	5954	5959	5964	5969	5974	5979	5984	5989	5994	5999	6004	6009	6014	6019	6024	6029	6034	6039	6044	6049	6054	6059	6064	6069	6074	6079	6084	6089	6094	6099	6104	6109	6114	6119	6124	6129	6134	6139	6144	6149	6154	6159	6164	6169	6174	6179	6184	6189	6194	6199	6204	6209	6214	6219	6224	6229	6234	6239	6244	6249	6254	6259	6264	6269	6274	6279	6284	6289	6294	6299	6304	6309	6314	6319	6324	6329	6334	6339	6344	6349	6354	6359	6364	6369	6374	6379	6384	6389	6394	6399	6404	6409	6414	6419	6424	6429	6434	6439	6444	6449	6454	6459	6464	6469	6474	6479	6484	6489	6494	6499	6504	6509	6514	6519	6524	6529	6534	6539	6544	6549	6554	6559	6564	6569	6574	6579	6584	6589	6594	6599	6604	6609	6614	6619	6624	6629	6634	6639	6644	6649	6654	6659	6664	6669	6674	6679	6684	6689	6694	6699	6704	6709	6714	6719	6724	6729	6734	6739	6744	6749	6754	6759	6764	6769	6774	6779</

TABLE 30 A. VOLUME OF ROUNDWOOD TIMBER

Mid Girth(m)	Volume in cubic decimetres											
	3.20	3.21	3.22	3.23	3.24	3.25	3.26	3.27	3.28	3.29		
Diameter (m)	1.018	1.021	1.024	1.027	1.030	1.034	1.037	1.040	1.043	1.046		
Length (m)	Volume in cubic decimetres											
1.0	815	820	825	830	835	840	845	851	856	861		
1.1	896	902	907	913	919	924	930	936	941	947		
1.2	977	984	990	996	1002	1008	1014	1021	1027	1033		
1.3	1059	1066	1072	1079	1086	1092	1099	1106	1113	1119		
1.4	1140	1148	1155	1162	1169	1176	1184	1191	1198	1205		
1.5	1222	1229	1237	1245	1253	1260	1268	1276	1284	1292		
1.6	1303	1311	1320	1328	1336	1344	1353	1361	1369	1378		
1.7	1385	1393	1402	1411	1420	1428	1437	1446	1455	1464		
1.8	1466	1475	1485	1494	1503	1512	1522	1531	1540	1550		
1.9	1548	1557	1567	1577	1587	1596	1606	1616	1626	1636		
2.0	1629	1639	1650	1660	1670	1680	1691	1701	1712	1722		
2.1	1711	1721	1732	1743	1754	1764	1775	1786	1797	1808		
2.2	1792	1803	1814	1826	1837	1848	1860	1871	1883	1894		
2.3	1873	1885	1897	1909	1921	1932	1944	1956	1968	1980		
2.4	1955	1967	1979	1992	2004	2016	2029	2041	2054	2066		
2.5	2036	2049	2062	2075	2088	2100	2113	2126	2139	2153		
2.6	2118	2131	2144	2158	2171	2185	2198	2211	2225	2239		
2.7	2199	2213	2227	2241	2255	2269	2283	2297	2311	2325		
2.8	2281	2295	2309	2324	2338	2353	2367	2382	2396	2411		
2.9	2362	2377	2392	2407	2422	2437	2452	2467	2482	2497		
3.0	2444	2459	2474	2490	2505	2521	2536	2552	2567	2583		
3.1	2525	2541	2557	2573	2589	2605	2621	2637	2653	2669		
3.2	2607	2623	2639	2656	2672	2689	2705	2722	2739	2755		
3.3	2688	2705	2722	2739	2756	2773	2790	2807	2824	2841		
3.4	2769	2787	2804	2822	2839	2857	2874	2892	2910	2927		
3.5	2851	2869	2887	2905	2923	2941	2959	2977	2995	3014		
3.6	2932	2951	2969	2988	3006	3025	3043	3062	3081	3100		
3.7	3014	3033	3052	3071	3090	3109	3128	3147	3166	3186		
3.8	3095	3115	3134	3154	3173	3193	3212	3232	3252	3272		
3.9	3177	3197	3217	3237	3257	3277	3297	3317	3338	3358		
4.0	3258	3279	3299	3320	3340	3361	3382	3402	3423	3444		
4.1	3340	3361	3382	3403	3424	3445	3466	3487	3509	3530		
4.2	3421	3443	3464	3486	3507	3529	3551	3572	3594	3616		
4.3	3503	3524	3546	3569	3591	3613	3635	3657	3680	3702		
4.4	3584	3606	3629	3652	3674	3697	3720	3743	3765	3788		
4.5	3665	3688	3711	3735	3758	3781	3804	3828	3851	3875		
4.6	3747	3770	3794	3817	3841	3865	3889	3913	3937	3961		
4.7	3828	3852	3876	3900	3925	3949	3973	3998	4022	4047		
4.8	3910	3934	3959	3983	4008	4033	4058	4083	4108	4133		
4.9	3991	4016	4041	4066	4092	4117	4142	4168	4193	4219		
5.0	4073	4098	4124	4149	4175	4201	4227	4253	4279	4305		
5.1	4154	4180	4206	4232	4259	4285	4311	4338	4364	4391		
5.2	4236	4262	4289	4315	4342	4369	4396	4423	4450	4477		
5.3	4317	4344	4371	4398	4426	4453	4480	4508	4536	4563		
5.4	4399	4426	4454	4481	4509	4537	4565	4593	4621	4649		

TABLE 30 B. VOLUME OF ROUNDWOOD TIMBER

Mid Girth(m)	Volume in cubic decimetres											
	3.20	3.21	3.22	3.23	3.24	3.25	3.26	3.27	3.28	3.29		
Diameter (m)	1.018	1.021	1.024	1.027	1.030	1.034	1.037	1.040	1.043	1.046		
Length (m)	Volume in cubic decimetres											
5.5	4480	4508	4536	4564	4593	4621	4650	4678	4707	4736		
5.6	4561	4590	4619	4647	4676	4705	4734	4763	4792	4822		
5.7	4643	4672	4701	4730	4760	4789	4819	4848	4878	4908		
5.8	4724	4754	4784	4813	4843	4873	4903	4933	4964	4994		
5.9	4806	4836	4866	4896	4927	4957	4988	5018	5049	5080		
6.0	4887	4918	4949	4979	5010	5041	5072	5103	5135	5166		
6.1	4969	5000	5031	5062	5094	5125	5157	5188	5220	5252		
6.2	5050	5082	5114	5145	5177	5209	5241	5274	5306	5338		
6.3	5132	5164	5196	5228	5261	5293	5326	5359	5391	5424		
6.4	5213	5246	5278	5311	5344	5377	5410	5444	5477	5510		
6.5	5295	5328	5361	5394	5428	5461	5495	5529	5563	5597		
6.6	5376	5410	5443	5477	5511	5545	5579	5614	5648	5683		
6.7	5457	5492	5526	5560	5595	5629	5664	5699	5734	5769		
6.8	5539	5574	5608	5643	5678	5713	5749	5784	5819	5855		
6.9	5620	5656	5691	5726	5762	5797	5833	5869	5905	5941		
7.0	5702	5738	5773	5809	5845	5881	5918	5954	5990	6027		
7.1	5783	5819	5856	5892	5929	5965	6002	6039	6076	6113		
7.2	5865	5901	5938	5975	6012	6049	6087	6124	6162	6199		
7.3	5946	5983	6021	6058	6095	6133	6171	6209	6247	6285		
7.4	6028	6065	6103	6141	6179	6217	6256	6294	6333	6371		
7.5	6109	6147	6186	6224	6263	6301	6340	6379	6418	6458		
7.6	6191	6229	6268	6307	6346	6386	6425	6464	6504	6544		
7.7	6272	6311	6351	6390	6430	6470	6509	6549	6590	6630		
7.8	6353	6393	6433	6473	6513	6554	6594	6634	6675	6716		
7.9	6435	6475	6516	6556	6597	6638	6678	6720	6761	6802		
8.0	6516	6557	6598	6639	6680	6722	6763	6805	6846	6888		
8.1	6598	6639	6681	6722	6764	6806	6848	6890	6932	6974		
8.2	6679	6721	6763	6805	6847	6890	6932	6975	7017	7060		
8.3	6761	6803	6846	6888	6931	6974	7017	7060	7103	7146		
8.4	6842	6885	6928	6971	7014	7058	7101	7145	7189	7232		
8.5	6924	6967	7010	7054	7098	7142	7186	7230	7274	7319		
8.6	7005	7049	7093	7137	7181	7226	7270	7315	7360	7405		
8.7	7087	7131	7175	7220	7265	7310	7355	7400	7445	7491		
8.8	7168	7213	7258	7303	7348	7393	7439	7485	7531	7577		
8.9	7249	7295	7341	7386	7432	7478	7524	7570	7616	7663		
9.0	7331	7377	7423	7469	7515	7562	7608	7655	7702	7749		
9.1	7412	7459	7505	7552	7599	7646	7693	7740	7788	7835		
9.2	7494	7541	7588	7635	7682	7730	7777	7825	7873	7921		
9.3	7575	7623	7670	7718	7766	7814	7862	7910	7959	8007		
9.4	7657	7705	7753	7801	7849	7898	7947	7995	8044	8093		
9.5	7738	7787	7835	7884	7933	7982	8031	8080	8130	8180		
9.6	7820	7869	7918	7967	8016	8066	8116	8165	8216	8266		
9.7	7901	7951	8000	8050	8100	8150	8200	8251	8301	8352		
9.8	7983	8033	8083	8133	8183	8234	8285	8336	8387	8438		
9.9	8064	8114	8165	8216	8267	8318	8369	8421	8472	8524		

TABLE 21 A. VOLUME OF ROUNDWOOD TIMBER

Mid Girth(m)	3.30	3.31	3.32	3.33	3.34	3.35	3.36	3.37	3.38	3.39
Diameter (m)	1.050	1.053	1.056	1.059	1.062	1.065	1.069	1.072	1.075	1.078
Length (m)	Volume in cubic decimetres									
1.0	866	872	877	882	887	893	898	903	909	914
1.1	953	959	964	970	975	981	988	994	1000	1006
1.2	1039	1046	1052	1058	1065	1071	1078	1084	1091	1097
1.3	1126	1133	1140	1147	1154	1161	1167	1174	1181	1188
1.4	1213	1220	1227	1235	1242	1250	1257	1265	1272	1280
1.5	1299	1307	1315	1323	1331	1339	1347	1355	1363	1371
1.6	1386	1394	1403	1411	1420	1429	1437	1445	1453	1463
1.7	1473	1482	1491	1500	1509	1518	1527	1536	1545	1554
1.8	1559	1569	1578	1588	1597	1607	1616	1626	1636	1645
1.9	1646	1656	1666	1676	1686	1696	1706	1715	1727	1737
2.0	1732	1743	1754	1764	1775	1785	1796	1807	1818	1828
2.1	1819	1830	1841	1852	1863	1875	1886	1897	1908	1920
2.2	1906	1917	1929	1941	1952	1964	1976	1987	1999	2011
2.3	1992	2004	2017	2029	2041	2053	2065	2078	2090	2103
2.4	2079	2092	2104	2117	2130	2142	2155	2168	2181	2194
2.5	2166	2179	2192	2205	2218	2232	2245	2258	2272	2285
2.6	2262	2266	2280	2293	2307	2321	2335	2349	2363	2377
2.7	2339	2353	2367	2382	2396	2410	2425	2439	2454	2468
2.8	2425	2440	2455	2470	2485	2500	2515	2529	2545	2560
2.9	2512	2527	2543	2558	2573	2589	2604	2620	2635	2651
3.0	2589	2615	2630	2646	2662	2678	2694	2710	2725	2742
3.1	2685	2702	2718	2734	2751	2767	2784	2801	2817	2834
3.2	2772	2789	2806	2823	2840	2857	2874	2891	2908	2925
3.3	2859	2876	2893	2911	2928	2946	2964	2981	2999	3017
3.4	2945	2963	2981	2999	3017	3035	3053	3072	3090	3108
3.5	3032	3050	3069	3087	3106	3124	3143	3162	3181	3200
3.6	3118	3137	3156	3175	3195	3214	3233	3252	3272	3291
3.7	3205	3225	3244	3264	3283	3303	3323	3343	3362	3382
3.8	3292	3312	3332	3352	3372	3392	3413	3433	3453	3474
3.9	3378	3399	3419	3440	3461	3482	3502	3523	3544	3565
4.0	3465	3486	3507	3528	3550	3571	3592	3614	3635	3657
4.1	3552	3573	3595	3616	3638	3659	3682	3704	3726	3748
4.2	3638	3660	3682	3705	3727	3749	3772	3794	3817	3839
4.3	3725	3747	3770	3793	3816	3839	3862	3885	3908	3931
4.4	3811	3835	3858	3881	3904	3928	3951	3975	3999	4022
4.5	3898	3922	3946	3969	3993	4017	4041	4065	4089	4114
4.6	3985	4009	4033	4058	4082	4106	4131	4156	4180	4205
4.7	4071	4096	4121	4146	4171	4196	4221	4246	4271	4296
4.8	4158	4183	4209	4234	4259	4285	4311	4336	4362	4388
4.9	4245	4270	4296	4322	4348	4374	4400	4427	4453	4479
5.0	4331	4358	4384	4410	4437	4463	4490	4517	4544	4571
5.1	4418	4445	4472	4499	4526	4553	4580	4607	4635	4662
5.2	4504	4532	4559	4587	4614	4642	4670	4698	4726	4754
5.3	4591	4619	4647	4675	4703	4731	4760	4788	4816	4845
5.4	4678	4706	4735	4763	4792	4821	4849	4878	4907	4935

TABLE 31 B. VOLUME OF ROUNDWOOD TIMBER

Mid Girth(m)	3.30	3.31	3.32	3.33	3.34	3.35	3.36	3.37	3.38	3.39
Diameter (m)	1.050	1.053	1.056	1.059	1.062	1.065	1.069	1.072	1.075	1.078
Length (m)	Volume in cubic decimetres									
1.0	4764	4793	4822	4851	4881	4910	4939	4969	4998	5029
1.1	4851	4880	4910	4940	4969	4999	5029	5059	5090	5119
1.2	4938	4968	4998	5028	5058	5088	5118	5149	5180	5211
1.3	5024	5055	5085	5116	5147	5178	5209	5240	5271	5302
1.4	5111	5142	5173	5204	5236	5267	5298	5330	5362	5393
1.5	5197	5229	5261	5292	5324	5356	5388	5420	5453	5485
1.6	5284	5316	5348	5381	5413	5445	5478	5511	5543	5575
1.7	5371	5403	5435	5468	5500	5532	5565	5598	5631	5663
1.8	5457	5490	5522	5555	5588	5621	5654	5687	5720	5752
1.9	5544	5578	5611	5645	5679	5713	5747	5782	5816	5851
2.0	5631	5665	5699	5733	5768	5802	5837	5872	5907	5942
2.1	5717	5752	5787	5822	5857	5892	5927	5962	5998	6033
2.2	5804	5839	5874	5910	5945	5981	6017	6053	6089	6125
2.3	5890	5926	5962	5998	6034	6070	6107	6143	6180	6216
2.4	5977	6013	6050	6086	6123	6160	6197	6233	6270	6308
2.5	6064	6101	6137	6175	6212	6249	6286	6324	6361	6399
2.6	6150	6188	6225	6263	6300	6338	6376	6414	6452	6490
2.7	6237	6275	6313	6351	6389	6427	6466	6504	6543	6582
2.8	6324	6362	6401	6439	6478	6517	6556	6595	6634	6673
2.9	6410	6449	6488	6527	6567	6606	6645	6685	6725	6765
3.0	6497	6536	6575	6615	6655	6695	6735	6775	6816	6856
3.1	6583	6623	6663	6704	6744	6785	6825	6866	6907	6947
3.2	6670	6711	6751	6792	6834	6874	6915	6956	6997	7039
3.3	6757	6798	6839	6880	6922	6962	7005	7046	7088	7130
3.4	6843	6885	6927	6968	7010	7052	7094	7137	7179	7222
3.5	6930	6972	7014	7057	7099	7142	7184	7227	7270	7313
3.6	7017	7059	7102	7145	7188	7231	7274	7317	7361	7405
3.7	7103	7146	7190	7233	7276	7319	7364	7408	7452	7496
3.8	7190	7234	7277	7321	7365	7409	7454	7498	7543	7587
3.9	7276	7321	7365	7409	7454	7499	7544	7588	7634	7679
4.0	7363	7408	7453	7498	7543	7588	7633	7679	7724	7770
4.1	7450	7495	7540	7586	7631	7677	7722	7769	7815	7862
4.2	7536	7582	7628	7674	7720	7766	7813	7859	7906	7953
4.3	7623	7669	7716	7762	7809	7856	7903	7950	7997	8044
4.4	7710	7756	7803	7850	7898	7945	7993	8040	8088	8136
4.5	7796	7844	7891	7939	7986	8034	8082	8131	8179	8227
4.6	7883	7931	7979	8027	8075	8124	8172	8221	8270	8319
4.7	7969	8018	8066	8115	8164	8213	8262	8311	8361	8410
4.8	8056	8105	8154	8203	8253	8302	8352	8402	8451	8501
4.9	8143	8192	8242	8291	8341	8391	8442	8492	8542	8593
5.0	8229	8279	8329	8380	8430	8481	8531	8583	8633	8684
5.1	8316	8366	8417	8468	8519	8570	8621	8672	8724	8775
5.2	8403	8454	8505	8556	8608	8659	8711	8763	8814	8865
5.3	8491	8543	8594	8645	8696	8748	8801	8853	8906	8957
5.4	8578	8630	8682	8733	8785	8838	8891	8944	8997	9050

TABLE 32. A.

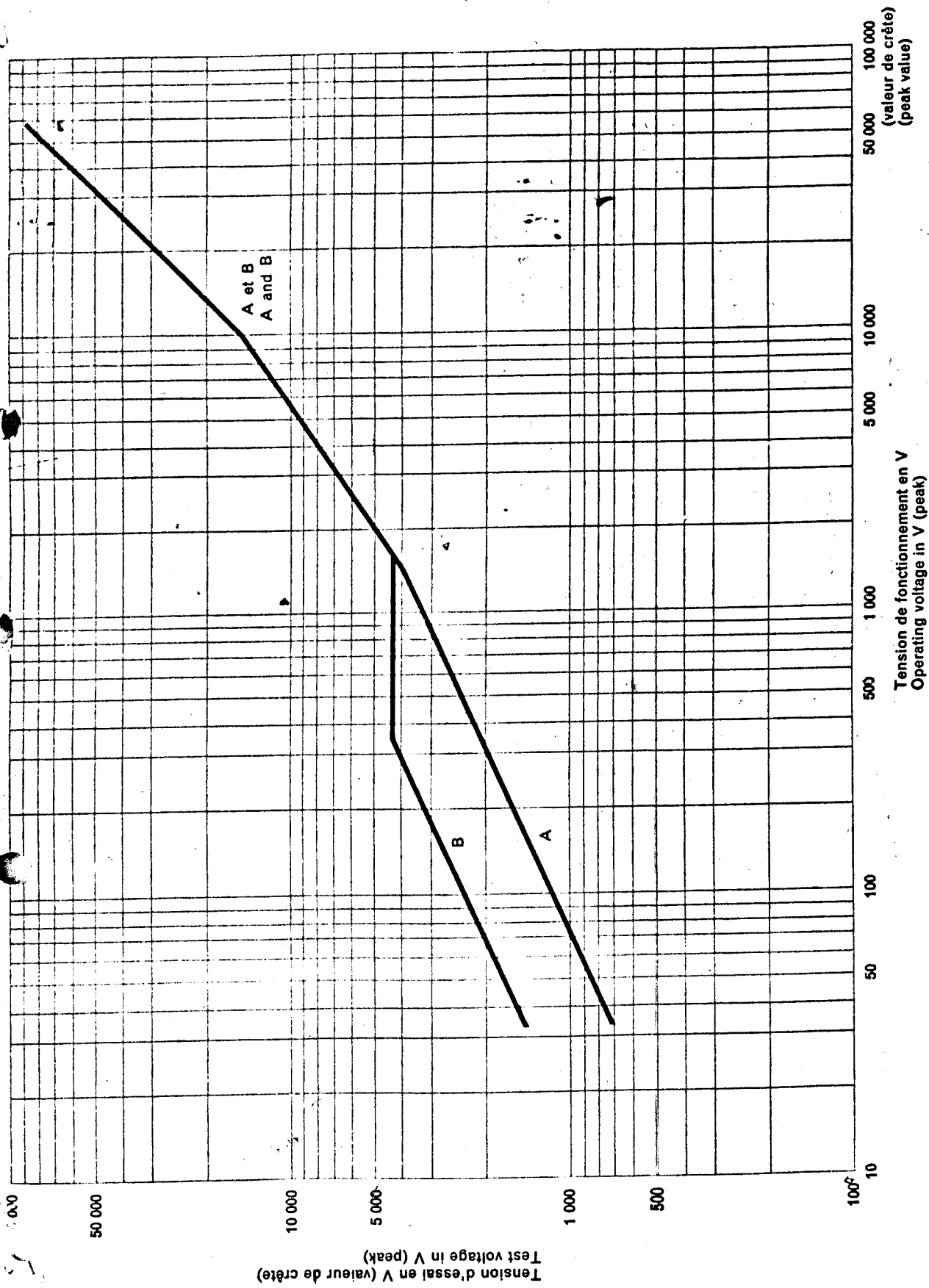
## VOLUME OF ROUNDWOOD TIMBER

Mid Girth(m)	3.40	3.41	3.42	3.43	3.44	3.45	3.46	3.47	3.48	3.49
Diameter (m)	1.081	1.085	1.088	1.091	1.094	1.097	1.100	1.104	1.107	1.110
Length (m)	Volume in cubic decimetres									
1.0	920	925	930	936	941	947	952	958	963	969
1.1	1011	1017	1023	1029	1035	1041	1048	1054	1060	1066
1.2	1103	1110	1116	1123	1130	1136	1143	1150	1156	1163
1.3	1195	1202	1210	1217	1224	1231	1238	1245	1252	1260
1.4	1287	1295	1303	1310	1318	1326	1333	1341	1349	1356
1.5	1379	1387	1396	1404	1412	1420	1428	1437	1445	1453
1.6	1471	1480	1489	1497	1506	1515	1524	1532	1541	1550
1.7	1563	1572	1582	1591	1600	1610	1619	1628	1638	1647
1.8	1655	1665	1675	1685	1694	1704	1714	1724	1734	1744
1.9	1747	1757	1768	1778	1788	1799	1809	1820	1830	1841
2.0	1839	1850	1861	1872	1883	1894	1905	1916	1927	1938
2.1	1931	1942	1954	1965	1977	1988	2000	2011	2023	2035
2.2	2033	2035	2047	2059	2071	2083	2095	2107	2119	2132
2.3	2115	2127	2140	2152	2165	2178	2190	2203	2216	2228
2.4	2207	2220	2233	2246	2259	2272	2285	2298	2312	2325
2.5	2289	2312	2326	2340	2353	2367	2381	2394	2408	2422
2.6	2391	2405	2419	2433	2447	2462	2476	2490	2505	2519
2.7	2493	2497	2512	2527	2542	2556	2571	2586	2601	2616
2.8	2575	2590	2605	2620	2636	2651	2666	2682	2697	2713
2.9	2667	2682	2698	2714	2730	2746	2762	2778	2794	2810
3.0	2759	2775	2791	2808	2824	2840	2857	2873	2890	2907
3.1	2851	2867	2884	2901	2918	2935	2952	2969	2986	3004
3.2	2943	2960	2977	2995	3012	3030	3047	3065	3083	3100
3.3	3034	3052	3070	3088	3106	3124	3143	3161	3179	3197
3.4	3126	3145	3163	3182	3200	3219	3238	3257	3275	3294
3.5	3218	3237	3256	3275	3295	3314	3333	3352	3372	3391
3.6	3310	3330	3349	3369	3389	3408	3428	3448	3468	3488
3.7	3402	3422	3442	3463	3483	3503	3523	3544	3564	3585
3.8	3494	3515	3536	3556	3577	3598	3619	3640	3661	3682
3.9	3586	3607	3628	3650	3671	3692	3714	3735	3757	3779
4.0	3678	3700	3722	3743	3765	3787	3809	3831	3853	3875
4.1	3770	3792	3815	3837	3859	3882	3904	3927	3950	3972
4.2	3862	3885	3908	3931	3953	3977	4000	4023	4046	4069
4.3	3954	3977	4001	4024	4048	4071	4095	4119	4142	4166
4.4	4046	4070	4094	4118	4142	4166	4190	4214	4239	4263
4.5	4138	4162	4187	4211	4236	4261	4285	4310	4335	4360
4.6	4230	4255	4280	4305	4330	4355	4381	4406	4431	4457
4.7	4322	4347	4373	4398	4424	4450	4476	4502	4528	4554
4.8	4414	4440	4466	4492	4518	4545	4571	4597	4624	4651
4.9	4506	4532	4559	4586	4612	4639	4666	4693	4720	4747
5.0	4598	4625	4652	4679	4707	4734	4761	4789	4817	4844
5.1	4690	4717	4745	4773	4801	4829	4857	4885	4913	4941
5.2	4782	4810	4838	4866	4895	4923	4952	4981	5009	5038
5.3	4874	4902	4931	4960	4989	5018	5047	5076	5106	5135
5.4	4966	4995	5024	5054	5083	5113	5142	5172	5202	5232

TABLE 32. B.

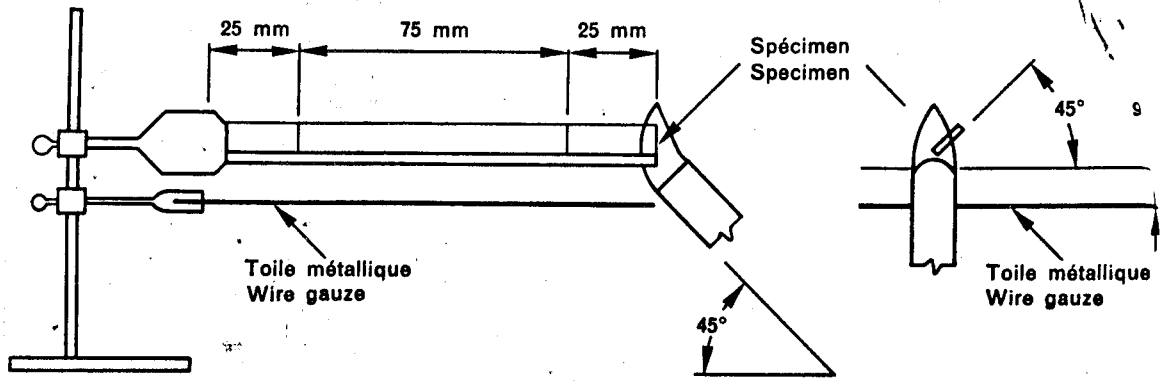
## VOLUME OF ROUNDWOOD TIMBER

Mid Girth(m)	3.40	3.41	3.42	3.43	3.44	3.45	3.46	3.47	3.48	3.49
Diameter (m)	1.081	1.085	1.088	1.091	1.094	1.097	1.100	1.104	1.107	1.110
Length (m)	Volume in cubic decimetres									
5.5	5057	5087	5117	5147	5177	5207	5238	5268	5298	5329
5.6	5149	5180	5210	5241	5271	5302	5333	5364	5395	5426
5.7	5241	5272	5303	5334	5365	5397	5428	5459	5491	5523
5.8	5333	5365	5396	5428	5460	5491	5523	5555	5587	5619
5.9	5425	5457	5489	5521	5554	5586	5618	5651	5684	5716
6.0	5517	5550	5582	5615	5648	5681	5714	5747	5780	5813
6.1	5609	5642	5675	5709	5742	5775	5809	5843	5876	5910
6.2	5701	5735	5768	5802	5836	5870	5904	5938	5973	6007
6.3	5793	5827	5861	5895	5930	5965	5999	6034	6069	6104
6.4	5885	5920	5955	5989	6024	6059	6095	6130	6165	6201
6.5	5977	6012	6048	6083	6119	6154	6190	6226	6262	6298
6.6	6069	6105	6141	6177	6213	6249	6285	6321	6358	6395
6.7	6161	6197	6234	6270	6307	6343	6380	6417	6454	6491
6.8	6253	6290	6327	6364	6401	6438	6475	6513	6551	6588
6.9	6345	6382	6420	6457	6495	6533	6571	6609	6647	6685
7.0	6437	6475	6513	6551	6589	6628	6666	6705	6743	6782
7.1	6529	6567	6606	6644	6683	6722	6761	6800	6840	6879
7.2	6621	6660	6699	6738	6777	6817	6856	6896	6936	6976
7.3	6713	6752	6792	6832	6872	6912	6952	6992	7032	7073
7.4	6805	6845	6885	6925	6966	7006	7047	7088	7129	7170
7.5	6897	6937	6978	7019	7060	7101	7143	7183	7225	7267
7.6	6989	7030	7071	7112	7154	7196	7237	7279	7321	7363
7.7	7081	7122	7164	7206	7248	7290	7333	7375	7418	7460
7.8	7172	7215	7257	7300	7342	7385	7428	7471	7514	7557
7.9	7264	7307	7350	7393	7436	7478	7523	7567	7610	7654
8.0	7356	7400	7443	7487	7530	7574	7618	7662	7707	7751
8.1	7448	7492	7536	7580	7625	7669	7714	7758	7803	7848
8.2	7540	7585	7629	7674	7719	7764	7809	7854	7899	7945
8.3	7632	7677	7722	7768	7813	7858	7904	7950	7996	8042
8.4	7724	7770	7815	7861	7907	7953	7999	8046	8092	8139
8.5	7816	7862	7908	7955	8001	8048	8094	8141	8188	8235
8.6	7908	7955	8002	8048	8095	8142	8189	8237	8285	8332
8.7	8000	8047	8094	8142	8189	8237	8285	8333	8381	8429
8.8	8092	8140	8187	8235	8284	8332	8380	8429	8477	8526
8.9	8184	8232	8281	8329	8378	8426	8475	8524	8574	8623
9.0	8276	8325	8374	8423	8472	8521	8571	8620	8670	8720
9.1	8368	8417	8467	8516	8566	8616	8666	8716	8766	8817
9.2	8460	8510	8560	8610	8660	8710	8761	8812	8863	8914
9.3	8552	8602	8653	8703	8754	8805	8856	8908	8959	9011
9.4	8644	8695	8746	8797	8848	8900	8951	9003	9055	9107
9.5	8736	8787	8839	8891	8942	8995	9047	9099	9152	9204
9.6	8828	8880	8932	8984	9037	9089	9142	9195	9248	9301
9.7	8920	8972	9024	9078	9131	9184	9237	9291	9344	9398
9.8	9012	9065	9118	9171	9225	9279	9332	9385	9441	9495
9.9	9104	9157	9211	9265	9319	9373	9428	9482	9537	9592



Ref: Diagramme 10.3 — Tableau IV  
Ref: Sub-clause 10.3 — Table IV

FIGURE 15



304176

Réf: Paragraphe 20.2  
Ref: Sub-clause 20.2

FIG. 16. — Essai de combustion horizontale.  
Horizontal burning test.

- TS -  
- 50 -

## APPENDIX A

### SAFETY REQUIREMENTS FOR SPLASH-PROOF MAINS OPERATED ELECTRONIC EQUIPMENT

The requirements of IEC Publication 65, supplemented by those contained in this Appendix, apply to splash-proof mains operated electronic equipment.

#### 1. Scope


This Appendix applies to splash-proof apparatus having the general properties of the apparatus described in Clause 1.

*Such apparatus is of Class I construction.*

#### 5. Marking

Add the following sub-clause:

##### 5.7 *Splash-proof construction*

The apparatus shall be marked with the symbol  (one drop in a triangle).

*Compliance is checked by inspection.*

#### 10. Insulation requirements

Replace Sub-clause 10.2 by the following sub-clause:

##### 10.2 *Splashes and moisture*

###### 10.2.1 *Splash treatment*

The enclosure shall provide protection against splashes.

*Compliance is checked by the treatments specified below, which are made on the apparatus fitted with external flexible cords in accordance with the requirements of Clause 16. Immediately after these treatments, the apparatus shall comply with the requirements of Sub-clause 10.3, and inspection shall show that water has not entered the apparatus to any appreciable extent.*

*The apparatus is sprayed with water for 10 min by means of the spray apparatus shown in Figure A1, page 128, which comprises a tube formed into a semi-circle. The radius of the circle is 200 mm or a multiple of 200 mm, and is as small as is compatible with the size and position of the apparatus. The tube is perforated so that jets of water are directed towards the centre of the circle, and the water pressure at its inlet is equivalent to a head of about 10 m.*

*The tube is caused to oscillate through an angle 60° either side of the vertical, the time for one complete oscillation (4 × 60°) being about 4 s.*

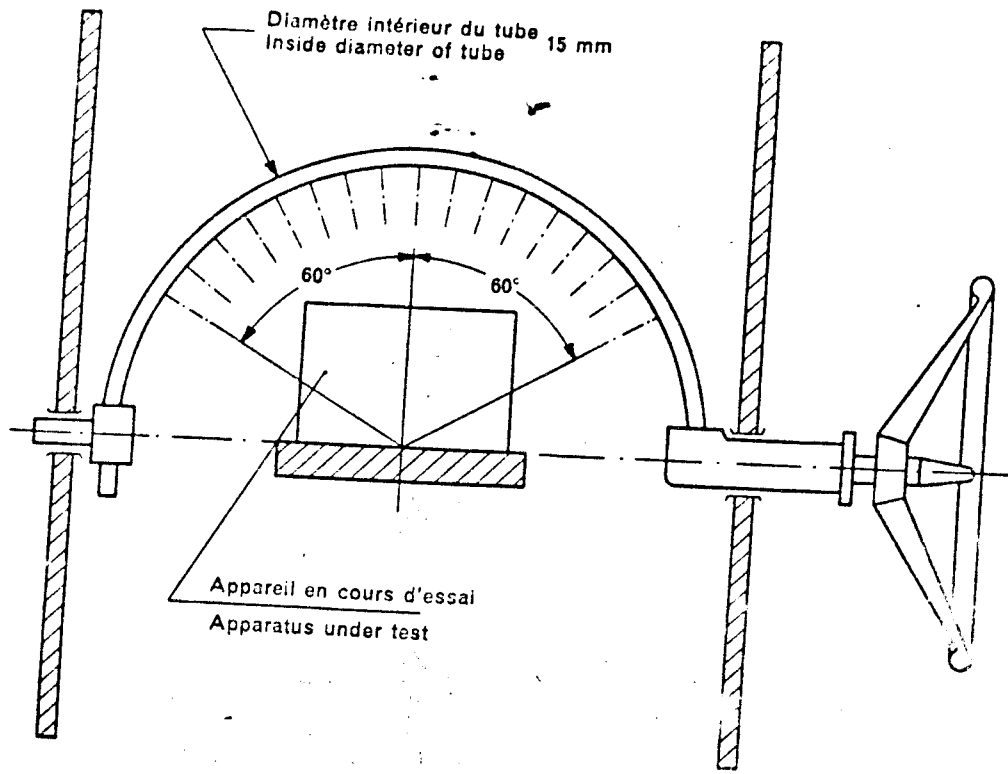
*The apparatus is mounted or placed at the centre of the semi-circle formed by the tube, so that its lowest part is level with the axis of oscillation, and is turned about its vertical axis during the test.*

*Immediately afterwards, the apparatus is subjected for 5 min to splashing in all directions by means of the splash apparatus shown in Figure A2, page 129. During this test, the water pressure is so regulated that the water splashes up 15 cm above the bottom of the bowl. The bowl is placed on the floor for floor standing apparatus, and, for all other apparatus, on a horizontal support 5 cm below the lowest edge of the apparatus; the bowl is moved around so as to splash the apparatus from all directions. Care is taken that the apparatus is not hit by the direct jet.*

10.2.2 *Moisture treatment*

*The text of Sub-clause 10.2 applies, except that the duration of the test is increased to 5 days.*

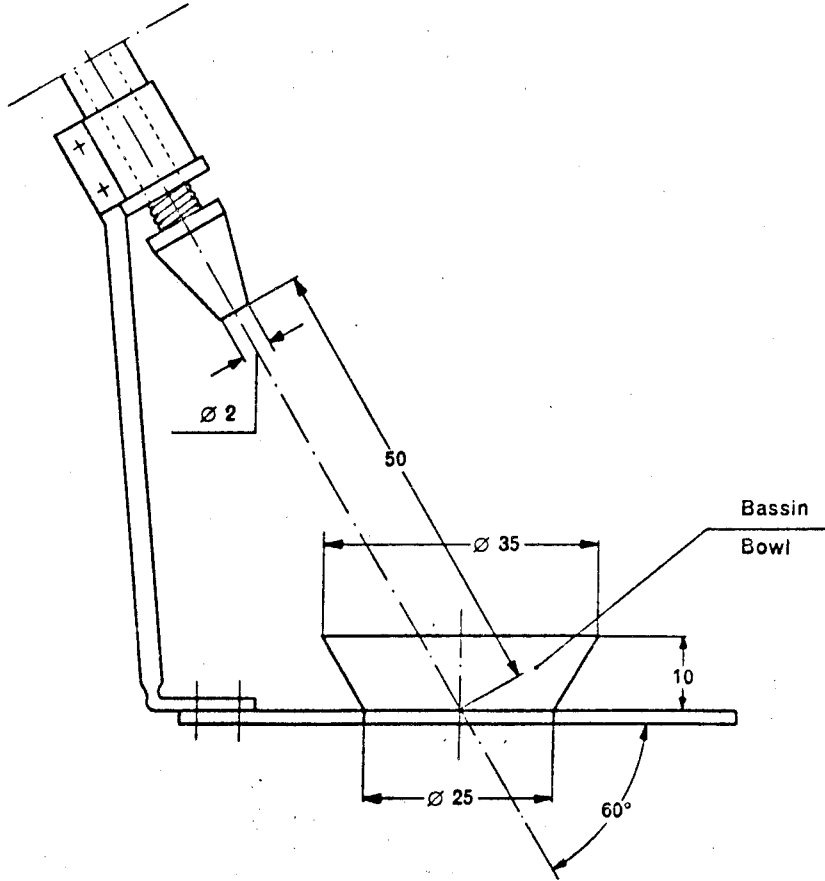




Trous de 0,4 mm de diamètre distants de 50 mm à l'intérieur de la courbure du tube, le long d'un arc de 60° de part et d'autre de la verticale.  
Réf.: paragraphe 10.2.1.

Holes 0.4 mm in diameter at 50 mm centres at the inside of the bend of the tube, over an arc of 60° on either side of the vertical.  
Ref.: Sub-clause 10.2.1.

FIG. A1. — Appareil d'arrosage.  
Spray apparatus.



*Dimensions en millimètres.*  
Réf.: paragraphe 10.2.1.

*Dimensions in millimetres.*  
Ref.: Sub-clause 10.2.1.

FIG. A2. — Appareil d'éclaboussement.  
Splash apparatus.

## **SLS CERTIFICATION MARK**

*The Sri Lanka Standards Institution is the owner of the registered certification mark shown below. Beneath the mark, the number of the Sri Lanka Standard relevant to the product is indicated. This mark may be used only by those who have obtained permits under the SLS certification marks scheme. The presence of this mark on or in relation to a product conveys the assurance that they have been produced to comply with the requirements of the relevant Sri Lanka Standard under a well designed system of quality control inspection and testing operated by the manufacturer and supervised by the SLSI which includes surveillance inspection of the factory, testing of both factory and market samples.*

*Further particulars of the terms and conditions of the permit may be obtained from the Sri Lanka Standards Institution, 17, Victoria Place, Elvitigala Mawatha, Colombo 08.*



## **SRI LANKA STANDARDS INSTITUTION**

The Sri Lanka Standards Institution (SLSI) is the National Standards Organization of Sri Lanka established under the Sri Lanka Standards Institution Act No. 6 of 1984 which repealed and replaced the Bureau of Ceylon Standards Act No. 38 of 1964. The Institution functions under the Ministry of Science & Technology.

The principal objects of the Institution as set out in the Act are to prepare standards and promote their adoption, to provide facilities for examination and testing of products, to operate a Certification Marks Scheme, to certify the quality of products meant for local consumption or exports and to promote standardization and quality control by educational, consultancy and research activity.

The Institution is financed by Government grants, and by the income from the sale of its publications and other services offered for Industry and Business Sector. Financial and administrative control is vested in a Council appointed in accordance with the provisions of the Act.

The development and formulation of National Standards is carried out by Technical Experts and representatives of other interest groups, assisted by the permanent officers of the Institution. These Technical Committees are appointed under the purview of the Sectoral Committees which in turn are appointed by the Council. The Sectoral Committees give the final Technical approval for the Draft National Standards prior to the approval by the Council of the SLSI.

All members of the Technical and Sectoral Committees render their services in an honorary capacity. In this process the Institution endeavours to ensure adequate representation of all view points.

In the International field the Institution represents Sri Lanka in the International Organization for Standardization (ISO), and participates in such fields of standardization as are of special interest to Sri Lanka.