

SLS 1168 : 1998
ISO 6251 : 1996

Sri Lanka Standard
METHOD OF TEST FOR CORROSIVENESS TO COPPER OF
LIQUEFIED PETROLEUM GASES
[LIQUEFIED PETROLEUM GASES – CORROSIVENESS TO COPPER –
COPPER STRIP TEST]

Gr. C

SRI LANKA STANDARDS INSTITUTION

Gr. C

Sri Lanka standard
METHOD OF TEST FOR CORROSIVENESS TO COPPER OF
LIQUEFIED PETROLEUM GASES
[LIQUEFIED PETROLEUM GASES - CORROSIVENESS TO COPPER -
COPPER STRIP TEST]

NATIONAL FOREWORD

This standard was approved by the Sectoral Committee on LP Gas Industry and was authorised for adoption and publication as a Sri Lanka Standard by the Council of the Sri Lanka Standards Institution on 1998-02-12.

This Sri Lanka Standard is identical with ISO 6251 : 1996 Liquefied Petroleum Gases - Corrosiveness to Copper - Copper Strip Test published by the International Organisation for Standardization (ISO).

Terminology and conventions

The text of the International standard has been accepted as suitable for publication, without deviation, as a Sri Lanka Standard. However, certain terminology and conventions are not identical with those used in Sri Lanka Standards, attention is therefore drawn to the following;

- a) wherever the word "International Standard" appear, referring to this standard, they should be interpreted as " Sri Lanka Standard ".

Wherever page numbers are quoted, they are ISO page numbers.

Cross reference

International Standards

Corresponding Sri Lanka Standards

- | | | |
|--------------------|---|---|
| 1. ISO 2160 : 1995 | Petroleum products, corrosiveness to copper
- Copper strip test | - |
| 2. ISO 3696 : 1987 | Water for analytical laboratory use
- Specification and test methods | |

INTERNATIONAL
STANDARD

ISO
6251

Second edition
1996-11-01

**Liquefied petroleum gases —
Corrosiveness to copper — Copper
strip test**

*Gaz de pétrole liquéfiés — Action corrosive sur le cuivre — Essai à la lame
de cuivre*



Reference number
ISO 6251:1996(E)

Foreword

ISO (the International Organization for Standardization) is a worldwide federation of national standards bodies (ISO member bodies). The work of preparing International Standards is normally carried out through ISO technical committees. Each member body interested in a subject for which a technical committee has been established has the right to be represented on that committee. International organizations, governmental and non-governmental, in liaison with ISO, also take part in the work. ISO collaborates closely with the International Electrotechnical Commission (IEC) on all matters of electrotechnical standardization.

Draft International Standards adopted by the technical committees are circulated to the member bodies for voting. Publication as an International Standard requires approval by at least 75 % of the member bodies casting a vote.

International Standard ISO 6251 was prepared by Technical Committee ISO/TC 28, *Petroleum products and lubricants*.

This second edition cancels and replaces the first edition (ISO 6251:1982), which has been technically revised.

Annex A forms an integral part of this International Standard.

© ISO 1996

All rights reserved. Unless otherwise specified, no part of this publication may be reproduced or utilized in any form or by any means, electronic or mechanical, including photocopying and microfilm, without permission in writing from the publisher.

International Organization for Standardization
Case Postale 56 • CH-1211 Genève 20 • Switzerland

Printed in Switzerland

Liquefied petroleum gases — Corrosiveness to copper — Copper strip test

WARNING — The use of this International Standard may involve hazardous materials, operations and equipment. This standard does not purport to address all of the safety problems associated with its use. It is the responsibility of the user of this International Standard to establish appropriate safety and health practices and determine the applicability of regulatory limitations prior to use.

1 Scope

This International Standard describes a method for the determination of the corrosiveness to copper of liquefied petroleum gases.

NOTE — For an equivalent copper strip test applicable to less volatile petroleum products, see ISO 2160.

2 Normative references

The following standards contain provisions which, through reference in this text, constitute provisions of this International Standard. At the time of publication, the editions indicated were valid. All standards are subject to revision, and parties to agreements based on this International Standard are encouraged to investigate the possibility of applying the most recent editions of the standards indicated below. Members of IEC and ISO maintain registers of currently valid International Standards.

ISO 2160:1985, *Petroleum products — Corrosiveness to copper — Copper strip test*.

ISO 3696:1987, *Water for analytical laboratory use — Specification and test methods*.

3 Definition

For the purposes of this International Standard, the following definition applies.

3.1 liquefied petroleum gas (LPG): Hydrocarbon gas that can be stored and/or handled in the liquid phase under moderate conditions of pressure and at ambient temperature. It consists essentially of C₃ and C₄ alkanes or alkenes, or a mixture of these, contains generally less than 5 % by liquid volume of material of higher carbon number, and having a gauge vapour pressure not exceeding approximately 1 600 kPa at 40 °C.

4 Principle

A polished copper strip is immersed for 1 h at a temperature of 40 °C in 100 ml of water-saturated LPG sample contained in a test cylinder at a suitable working pressure. At the end of this period, the copper strip is removed and the corrosiveness to copper of the LPG sample is rated as one of four classifications given in table 1 by comparison with a copper corrosion standard plaque.

Table 1 — Copper strip corrosion classifications

Classification	Designation	Description ¹⁾
Freshly polished copper strip	Untarnished	2)
1	Slight tarnish	Light orange, almost the same as a freshly polished strip Dark orange
2	Moderate tarnish	Claret red Lavender Multicoloured with lavender blue and/or silver overlaid on claret red Silvery Brassy or gold
3	Dark tarnish	Magenta overcast on brassy strip Multicoloured with red and green showing (peacock), but no grey
4	Corrosion	Transparent black, dark grey or brown with peacock green barely showing Graphite or lustreless black Glossy or jet black

1) The copper corrosion standard is comprised of strips characteristic of these descriptions.

2) The freshly polished strip is included in the series only as an indication of the appearance of a properly polished strip before a test run; it is not possible to duplicate this appearance after a test even with a completely non-corrosive LPG sample.

5 Reagents and materials

5.1 Wash solvent, analytical grade acetone free from sulfur, or 2,2,4-trimethylpentane, 99 % minimum purity.

5.2 Water, conforming to grade 3 of ISO 3696.

5.3 Copper strip, 75 mm ± 5 mm long, 12,5 mm ± 2,5 mm wide, and 1,5 to 3,0 mm thick, conforming to the specification for copper given in ISO 2160 and having a hole of 3 mm diameter drilled approximately 3 mm from one end and centred across the width of the strip.

5.4 Polishing materials, including silicon carbide grit paper of various degrees of fineness, one of which is 65 µm paper or cloth; also a supply of 105 µm silicon carbide powder and pharmaceutical grade absorbent cotton (cotton wool).

5.5 Copper corrosion standards¹⁾

The care and inspection for stability of such plaques shall be carried out in accordance with ISO 2160.

6 Apparatus

6.1 Corrosion test cylinder (see figure 1), capable of withstanding a hydrostatic pressure test of 7,0 MPa, and leaktight when filled with gas at a pressure of 3,5 MPa and immersed in the water bath (6.2). It shall consist of the following items:

1) The copper strip corrosion standard is available commercially. Details may be obtained from the Secretariat of ISO/TC 28.

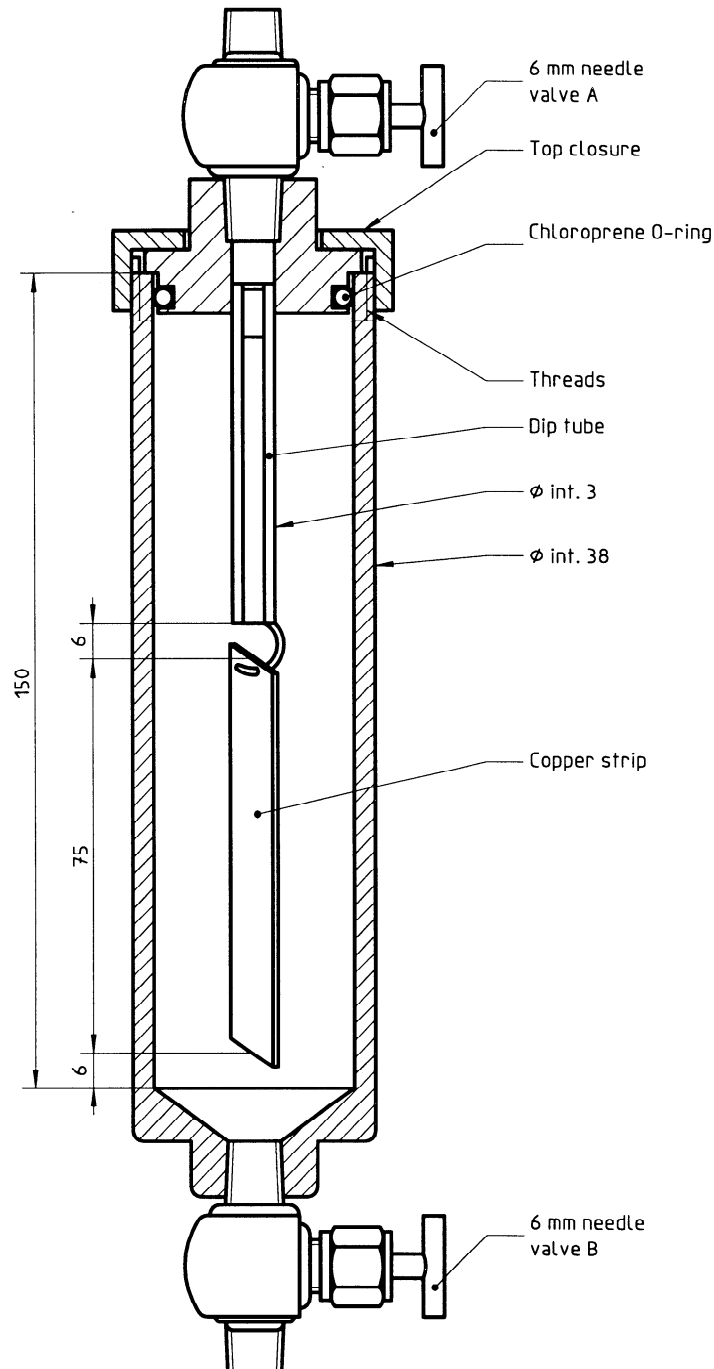
6.1.1 Stainless steel test cylinder, of the form and dimensions shown in figure 1 and tapped at the lower end to take a suitable type of 6 mm needle-valve, top-end threaded for attachment with top closure.

NOTE — A needle-valve with V-cone stem tip design has been found suitable.

6.1.2 Top closure, of stainless steel, with a chloroprene rubber O-ring on the internal surface and with threaded coupling to secure to the stainless steel test cylinder.

The closure shall be tapped to take a suitable type of 6 mm needle-valve (see note in 6.1.1) and to carry a stainless steel dip-tube, at the lower end of which there shall be a hook from which the copper strip is hung.

Dimensions in millimetres



Material of test cylinder, dip tube, needle-valves: Stainless steel

Figure 1 — Copper strip corrosion test cylinder

6.1.3 Aluminium flexible connecting hose, with swivel connections adapted to a 6 mm diameter pipe.

6.2 Water-bath, capable of being maintained at $40\text{ °C} \pm 1\text{ °C}$.

The bath shall be fitted with suitable supports to hold the test cylinder (6.1) in an upright position and be deep enough so that the entire cylinder and valves will be covered during the test.

6.3 Thermometer, of the total immersion type, having a range of 0 °C to 50 °C , subdivided at intervals not greater than $0,2\text{ °C}$, and having a scale error not greater than $0,15\text{ °C}$.

NOTE — An ASTM 12 C/IP 64 C thermometer has been found suitable.

6.4 Strip-polishing vice, for holding the copper strip firmly without marring the edge during polishing.

Any convenient type of vice may be used, provided that the strip is held tightly and that the surface being polished is supported above the surface of the holder.

7 Preparation of strips

7.1 Surface preparation

Remove all surface blemishes from all six faces of the copper strip (5.3) with silicon carbide grit paper (5.4) of such degrees of fineness as are needed to accomplish the desired results efficiently. Finish with $65\text{ }\mu\text{m}$ silicon carbide paper or cloth, removing all marks that may have been made by other grades of paper used previously. Immerse the strip in the wash solvent (5.1), from which it may be withdrawn immediately for final polishing or in which it may be stored for future use.

As a practical manual polishing procedure, place a sheet of the paper on a flat surface, moisten it with the wash solvent and rub the strip against the paper with a rotary motion, protecting the strip from contact with the fingers with an ashless filter paper. Alternatively, the strip may be prepared by use of motor-driven machines using appropriate grades of dry paper or cloth.

7.2 Final polishing

Remove the strip from the wash solvent. Holding it in the fingers protected with ashless filter paper, polish first the ends and then each face with $105\text{-}\mu\text{m}$ silicon carbide powder picked up from a clean glass plate with a pad of absorbent cotton moistened with several drops of wash solvent. Wipe vigorously with fresh pads of absorbent cotton and subsequently handle only with stainless steel forceps; do not touch with the fingers. Clamp in the vice (6.4) and polish the main surfaces with silicon carbide powder on absorbent cotton. Rub in the direction of the long axis of the strip, carrying the stroke beyond the end of the strip before reversing the direction. Clean all metal dust from the strip by rubbing vigorously with clean pads of absorbent cotton until a fresh pad remains unsoiled. When the strip is clean, immediately attach it to the dip-tube (see 6.1.2) and immerse it in the prepared test cylinder (6.1.1).

NOTE — It is important to polish the whole surface of the strip uniformly to obtain a uniformly stained strip. If the edges show wear (surface elliptical), they are likely to show more corrosion than the centre. The use of a vice facilitates uniform polishing.

8 Procedure

CAUTION — Provide a safe means for disposal of liquid and escaping vapour during the entire operation. Follow the safety precautions given in annex A.

8.1 With valve B (see figure 1) open, place approximately 1 ml of the water (5.2) into the clean test cylinder (6.1) and swirl to moisten the walls; allow the remaining water to drain from the test cylinder. Insert the freshly polished

copper strip suspended from the hook on the dip-tube, making sure that the bottom of the strip is at least 6 mm from the bottom of the test cylinder when assembled. After assembly of the apparatus, close both valves A and B.

8.2 Holding the test cylinder upright so as not to wet the copper strip with water, attach the sample source to the test cylinder valve A by means of a short length of the flexible hose (6.1.3), which has been purged with the LPG sample. Admit some sample to the test cylinder by opening the valve at the sample source and then valve A.

8.3 Close valve A without disconnecting the test cylinder from the sample source. Invert the test cylinder and open valve B to purge the air from the test cylinder. Return the test cylinder to the upright position and drain any residual liquid through the open valve B. Close valve B with the test cylinder now in its upright position, open valve A and fill the test cylinder with the sample. When the test cylinder is full, close valve A and the valve at the sample source. Disconnect the flexible hose.

8.4 As soon as the flexible hose is disconnected, and with the cylinder in its upright position, open valve A slightly so that all liquid above the end of the dip-tube will be removed from the test cylinder. When vapour first emerges from valve A, close valve A.

8.5 Immediately after regulation of the liquid level as described in 8.4, immerse the test cylinder in the water bath (6.2) maintained at $40\text{ °C} \pm 1\text{ °C}$. Allow the test cylinder to remain in the bath for $1\text{ h} \pm 5\text{ min}$.

8.6 At the end of the test period, remove the test cylinder from the bath and, holding the test cylinder in a vertical position, open the bottom valve and empty into a suitable disposal unit until all of the liquid and most of the vapour is discharged.

8.7 When only a slight pressure remains in the test cylinder, disassemble the cylinder immediately and at once compare the copper strip which has been exposed to the liquefied petroleum gases with the copper corrosion standard plaque (5.5). Hold both the test strip and the plaque in such a manner that light reflected from them at an angle of approximately 45° will be observed.

NOTE — In handling the test strip during the inspection and comparison, the danger of marking or staining can be avoided if it is inserted in a flat test tube which is then stoppered with absorbent cotton.

8.8 If the copper strip shows a corrosion of class 3 or class 4 as shown in table 1, the interior of the test cylinder shall be polished with steel wool and washed with the wash solvent soon after use so as to be clean for another test.

9 Expression of results

9.1 The corrosiveness of the LPG sample should be expressed as class 1, class 2, class 3 or class 4, as shown in table 1, depending upon which colour strip of the standard plaque the copper strip matches. Interpret the colorations as described in ISO 2160 or from information given on the reverse side of the standard plaque.

9.2 Report the test duration and temperature in the form ($x\text{ h/y }^\circ\text{C}$).

9.3 The added water frequently causes isolated brown spots on the copper strip. Either disregard the presence of these spots or repeat the test.

10 Test report

The test report shall contain at least the following information:

- a) a reference to this International Standard or to a corresponding national standard;
- b) the type and identification of the product tested;
- c) the result of the test, expressed in accordance with clause 9;
- d) any deviation, by agreement or otherwise, from the procedure specified;
- e) the date of the test.

Annex A (normative)

Safety precautions

A.1 General precautions

A.1.1 Safety precautions regarding the practice of handling liquefied petroleum gas in the laboratory shall be meticulously observed during the determination specified in this International Standard.

A.1.2 Liquefied petroleum gas can cause serious cold burns; care shall be taken, therefore, to prevent the liquid from coming into contact with the skin; when handling liquefied petroleum gas, protective goggles and gloves shall be worn.

A.1.3 Discharge of liquefied petroleum gas can give rise to static electricity, and it is essential to connect apparatus to earth (ground) before discharging.

A.1.4 Take care to avoid breathing petroleum vapours during the application of test methods concerning liquefied petroleum gas.

A.1.5 Care shall be taken that it is safe to discharge liquefied petroleum gas in the vicinity during ullaging operations.

A.2 Precautions specific to this International Standard

When working with 2,2,4-trimethylpentane:

- keep away from heat sparks, and open flame;
- keep container closed;
- use with adequate ventilation;
- avoid buildup of vapours and eliminate all sources of ignition, especially non-explosion-proof electrical apparatus and heaters;
- avoid prolonged breathing of vapour or spray mist;
- avoid prolonged or repeated skin contact.

This page intentionally left blank

This page intentionally left blank

This page intentionally left blank

ICS 75.160.30

Descriptors: petroleum products, liquefied gases, liquefied petroleum gases, corrosive gases, determination, corrosiveness, corrosion tests, copper.

Price based on 6 pages
