

SRI LANKA STANDARD 1082 : Part 3.4 : 2009
IEC 60264-3-4: 1999

SPECIFICATION FOR
PACKAGING OF WINDING WIRES
PART 3.4: TAPER BARRALLED DELIVERY SPOOLS –
BASIC DIMENSIONS OF CONTAINERS FOR
TAPER BARRELLED DELIVERY SPOOLS
(First Revision)

SRI LANKA STANDARDS INSTITUTION

Sri Lanka Standard
SPECIFICATION FOR PACKAGING OF WINDING WIRES
PART 3.4: TAPER BARRALLED DELIVERY SPOOLS – BASIC DIMENSIONS
OF CONTAINERS FOR TAPER BARRELLED DELIVERY SPOOLS
(First Revision)

SLS 1082 Part 3.4: 2009
IEC 60264-3-4: 1999

Gr. B

SRI LANKA STANDARDS INSTITUTION

Sri Lanka Standards are subject to periodical revision in order to accommodate the progress made by industry. Suggestions for improvement will be recorded and brought to the notice of the Committees to which the revisions are entrusted.

This standard does not purport to include all the necessary provisions of a contract.

© SLSI 2009

All rights reserved. Unless otherwise specified, no part of this publication may be reproduced or utilized in any form or by any means, electronic or mechanical, including photocopying and microfilm, without permission in writing from the SLSI.

Sri Lanka Standard
SPECIFICATION FOR PACKAGING OF WINDING WIRES
PART 3.4: TAPER BARRELLED DELIVERY SPOOLS –BASIC DIMENSIONS OF
CONTAINERS FOR TAPER BARRELLED DELIVERY SPOOLS
(First Revision)

NATIONAL FOREWORD

This standard was approved by the Sectoral Committee on Electric Cables and Conductors and was authorized for adoption and publication as a Sri Lanka Standard by the Council of Sri Lanka Standards Institution on 2009-10-28.

This is the first revision of **SLS 1082 : Part 3.4 : 1995** and identical with **IEC 60264-3-4 : Packaging of winding wires, Part 3-1: Taper barrelled delivery spools– Basic dimensions of containers for taper barrelled delivery spools, Edition 2.0 1999 -04**, published by the International Electrotechnical Commission (IEC).

Terminology and conventions

The text of the International Standard has been accepted as suitable for publication, without deviation, as a Sri Lanka Standard. However, certain terminology and conventions are not identical with those used in Sri Lanka Standards; attention is therefore drawn to the following:

- a) Wherever the words “International Standard” appear referring to this standard they should be interpreted as “Sri Lanka Standard”.
- b) Wherever the page numbers are quoted they are the page numbers of IEC standard.
- c) The comma has been used as a decimal marker. In Sri Lanka Standards it is the current practices to use a full point on the base line as a decimal marker.

CROSS REFERENCES

International Standards

Corresponding Sri Lanka Standards

IEC 60264 : Packaging of winding wires –
Part 3-1 Taper barrelled delivery spools -
Basic dimensions

SLS 1082 : Packaging of winding wires –
Part 3.1 Taper barrelled delivery spools - Basic
dimensions

IEC 60264 : Packaging of winding wires-
Part 4-1 Methods of test-Delivery spools
made from thermoplastic material

SLS 1082 : Packaging of winding wires-
Part 4.1 Methods of test-Delivery spools made
from thermoplastic material

...../

**NORME
INTERNATIONALE
INTERNATIONAL
STANDARD**

**CEI
IEC**

60264-3-4

Deuxième édition
Second edition
1999-04

Conditionnement des fils de bobinage –

Partie 3-4:

**Bobines de livraison à fût de forme conique –
Dimensions de base des conteneurs pour les
bobines de livraison à fût de forme conique**

Packaging of winding wires –

Part 3-4:

**Taper barrelled delivery spools –
Basic dimensions of containers
for taper barrelled delivery spools**



Numéro de référence
Reference number
CEI/IEC 60264-3-4:1999

Numéros des publications

Depuis le 1er janvier 1997, les publications de la CEI sont numérotées à partir de 60000.

Publications consolidées

Les versions consolidées de certaines publications de la CEI incorporant les amendements sont disponibles. Par exemple, les numéros d'édition 1.0, 1.1 et 1.2 indiquent respectivement la publication de base, la publication de base incorporant l'amendement 1, et la publication de base incorporant les amendements 1 et 2.

Validité de la présente publication

Le contenu technique des publications de la CEI est constamment revu par la CEI afin qu'il reflète l'état actuel de la technique.

Des renseignements relatifs à la date de reconfirmation de la publication sont disponibles dans le Catalogue de la CEI.

Les renseignements relatifs à des questions à l'étude et des travaux en cours entrepris par le comité technique qui a établi cette publication, ainsi que la liste des publications établies, se trouvent dans les documents ci-dessous:

- **«Site web» de la CEI***
- **Catalogue des publications de la CEI**
Publié annuellement et mis à jour régulièrement
(Catalogue en ligne)*
- **Bulletin de la CEI**
Disponible à la fois au «site web» de la CEI* et comme périodique imprimé

Terminologie, symboles graphiques et littéraux

En ce qui concerne la terminologie générale, le lecteur se reportera à la CEI 60050: *Vocabulaire Electrotechnique International (VEI)*.

Pour les symboles graphiques, les symboles littéraux et les signes d'usage général approuvés par la CEI, le lecteur consultera la CEI 60027: *Symboles littéraux à utiliser en électrotechnique*, la CEI 60417: *Symboles graphiques utilisables sur le matériel. Index, relevé et compilation des feuilles individuelles*, et la CEI 60617: *Symboles graphiques pour schémas*.

* Voir adresse «site web» sur la page de titre.

Numbering

As from 1 January 1997 all IEC publications are issued with a designation in the 60000 series.

Consolidated publications

Consolidated versions of some IEC publications including amendments are available. For example, edition numbers 1.0, 1.1 and 1.2 refer, respectively, to the base publication, the base publication incorporating amendment 1 and the base publication incorporating amendments 1 and 2.

Validity of this publication

The technical content of IEC publications is kept under constant review by the IEC, thus ensuring that the content reflects current technology.

Information relating to the date of the reconfirmation of the publication is available in the IEC catalogue.

Information on the subjects under consideration and work in progress undertaken by the technical committee which has prepared this publication, as well as the list of publications issued, is to be found at the following IEC sources:

- **IEC web site***
- **Catalogue of IEC publications**
Published yearly with regular updates
(On-line catalogue)*
- **IEC Bulletin**
Available both at the IEC web site* and as a printed periodical

Terminology, graphical and letter symbols

For general terminology, readers are referred to IEC 60050: *International Electrotechnical Vocabulary (IEV)*.

For graphical symbols, and letter symbols and signs approved by the IEC for general use, readers are referred to publications IEC 60027: *Letter symbols to be used in electrical technology*, IEC 60417: *Graphical symbols for use on equipment. Index, survey and compilation of the single sheets* and IEC 60617: *Graphical symbols for diagrams*.

* See web site address on title page.

**NORME
INTERNATIONALE
INTERNATIONAL
STANDARD**

**CEI
IEC**

60264-3-4

Deuxième édition
Second edition
1999-04

Conditionnement des fils de bobinage –

Partie 3-4:

**Bobines de livraison à fût de forme conique –
Dimensions de base des conteneurs pour les
bobines de livraison à fût de forme conique**

Packaging of winding wires –

Part 3-4:

**Taper barrelled delivery spools –
Basic dimensions of containers
for taper barrelled delivery spools**

© IEC 1999 Droits de reproduction réservés — Copyright - all rights reserved

Aucune partie de cette publication ne peut être reproduite ni utilisée sous quelque forme que ce soit et par aucun procédé, électronique ou mécanique, y compris la photocopie et les microfilms, sans l'accord écrit de l'éditeur.

No part of this publication may be reproduced or utilized in any form or by any means, electronic or mechanical, including photocopying and microfilm, without permission in writing from the publisher.

International Electrotechnical Commission
Telefax: +41 22 919 0300

e-mail: inmail@iec.ch

3, rue de Varembé Geneva, Switzerland
IEC web site <http://www.iec.ch>



Commission Electrotechnique Internationale
International Electrotechnical Commission
Международная Электротехническая Комиссия

CODE PRIX
PRICE CODE

E

*Pour prix, voir catalogue en vigueur
For price, see current catalogue*

INTERNATIONAL ELECTROTECHNICAL COMMISSION

PACKAGING OF WINDING WIRES –**Part 3-4: Taper barrelled delivery spools –
Basic dimensions of containers
for taper barrelled delivery spools**

FOREWORD

- 1) The IEC (International Electrotechnical Commission) is a worldwide organization for standardization comprising all national electrotechnical committees (IEC National Committees). The object of the IEC is to promote international co-operation on all questions concerning standardization in the electrical and electronic fields. To this end and in addition to other activities, the IEC publishes International Standards. Their preparation is entrusted to technical committees; any IEC National Committee interested in the subject dealt with may participate in this preparatory work. International, governmental and non-governmental organizations liaising with the IEC also participate in this preparation. The IEC collaborates closely with the International Organization for Standardization (ISO) in accordance with conditions determined by agreement between the two organizations.
- 2) The formal decisions or agreements of the IEC on technical matters express, as nearly as possible, an international consensus of opinion on the relevant subjects since each technical committee has representation from all interested National Committees.
- 3) The documents produced have the form of recommendations for international use and are published in the form of standards, technical reports or guides and they are accepted by the National Committees in that sense.
- 4) In order to promote international unification, IEC National Committees undertake to apply IEC International Standards transparently to the maximum extent possible in their national and regional standards. Any divergence between the IEC Standard and the corresponding national or regional standard shall be clearly indicated in the latter.
- 5) The IEC provides no marking procedure to indicate its approval and cannot be rendered responsible for any equipment declared to be in conformity with one of its standards.
- 6) Attention is drawn to the possibility that some of the elements of this International Standard may be the subject of patent rights. The IEC shall not be held responsible for identifying any or all such patent rights.

International Standard IEC 60264-3-4 has been prepared by IEC technical committee 55: Winding wires.

This second edition cancels and replaces the first edition, published in 1990, and constitutes a technical revision.

The text of this standard is based on the following documents:

FDIS	Report on voting
55/662/FDIS	55/682/RVD

Full information on the voting for the approval of this standard can be found in the report on voting indicated in the above table.

INTRODUCTION

This part of IEC 60264 is one of a series which deals with insulated wires used for windings in electrical equipment. The series comprises three groups describing:

- methods of test (IEC 60851);
- specifications (IEC 60317);
- packaging (IEC 60264).

PACKAGING OF WINDING WIRES –

Part 3-4: Taper barrelled delivery spools – Basic dimensions of containers for taper barrelled delivery spools

1 Scope

This part of IEC 60264 specifies the basic dimensions of containers for taper barrelled delivery spools standardized in IEC 60264-3-1.

2 Normative references

The following normative documents contain provisions which, through reference in this text, constitute provisions of this part of IEC 60264. For dated references, subsequent amendments to, or revisions of, any of these publications do not apply. However, parties to agreements based on this part of IEC 60264 are encouraged to investigate the possibility of applying the most recent editions of the normative documents indicated below. For undated references, the latest edition of the normative document referred to applies. Members of IEC and ISO maintain registers of currently valid International Standards.

IEC 60264-3-1:1989, *Packaging of winding wires – Part 3: Taper barrelled delivery spools – Section One: Basic dimensions*

3 Dimensions

The dimensions and tolerances of containers for taper barrelled delivery spools are given in table 1 in accordance with figure 1.

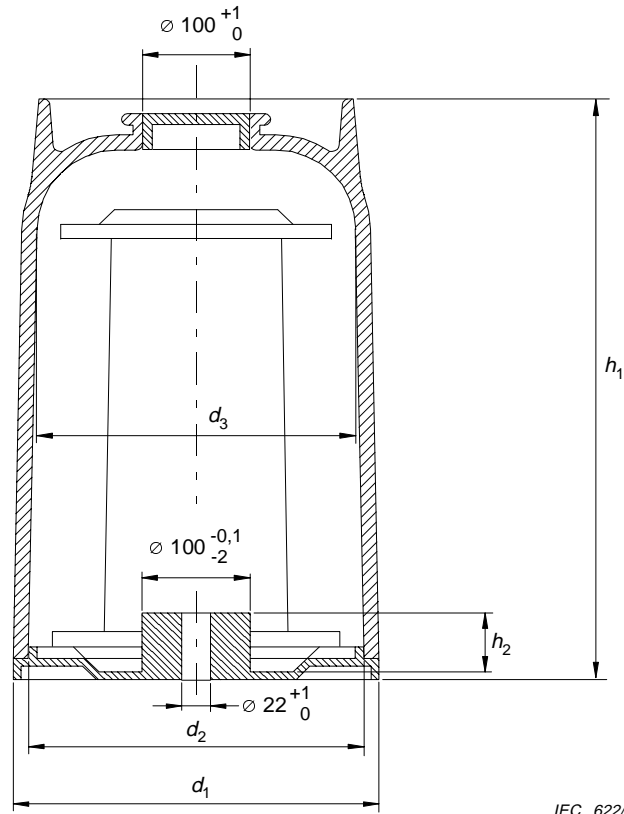
NOTE – Figure 1 is given to identify the dimensions specified and is not intended to show any particular construction.

Table 1 – Dimensions

Container for spool type	Container dimensions mm						
	d_1	d_2		d_3		h_1	h_2
	Max.	Nominal	Tolerance	Nominal	Tolerance	Max.	Min.
200/315	265	236	$\begin{matrix} 0 \\ -2 \end{matrix}$	224	$\begin{matrix} 0 \\ -12,5 \end{matrix}$	400	40
250/400	315	280	$\begin{matrix} 0 \\ -2,5 \end{matrix}$	280	$\begin{matrix} 0 \\ -15 \end{matrix}$	500	50
315/500	400	355	$\begin{matrix} 0 \\ -3,5 \end{matrix}$	355	$\begin{matrix} 0 \\ -20 \end{matrix}$	630	63
400/630	500	450	$\begin{matrix} 0 \\ -5,0 \end{matrix}$	450	$\begin{matrix} 0 \\ -25 \end{matrix}$	800	80
500/800	580	545	$\begin{matrix} 0 \\ -6,3 \end{matrix}$	510	$\begin{matrix} 0 \\ -25 \end{matrix}$	1 000	100

4 Material

Requirements shall be stated in the purchaser's order.



IEC 622/99

Dimensions in millimetres

Figure 1 – Container for taper barrelled delivery spool

ISBN 2-8318-4767-2



9 782831 847672

ICS 29.060.10; 55.060

SLS CERTIFICATION MARK

The Sri Lanka Standards Institution is the owner of the registered certification mark shown below. Beneath the mark, the number of the Sri Lanka Standard relevant to the product is indicated. This mark may be used only by those who have obtained permits under the SLS certification marks scheme. The presence of this mark on or in relation to a product conveys the assurance that they have been produced to comply with the requirements of the relevant Sri Lanka Standard under a well designed system of quality control inspection and testing operated by the manufacturer and supervised by the SLSI which includes surveillance inspection of the factory, testing of both factory and market samples.

Further particulars of the terms and conditions of the permit may be obtained from the Sri Lanka Standards Institution, 17, Victoria Place, Elvitigala Mawatha, Colombo 08.



SRI LANKA STANDARDS INSTITUTION

The Sri Lanka Standards Institution (SLSI) is the National Standards Organization of Sri Lanka established under the Sri Lanka Standards Institution Act No. 6 of 1984 which repealed and replaced the Bureau of Ceylon Standards Act No. 38 of 1964. The Institution functions under the Ministry of Science & Technology.

The principal objects of the Institution as set out in the Act are to prepare standards and promote their adoption, to provide facilities for examination and testing of products, to operate a Certification Marks Scheme, to certify the quality of products meant for local consumption or exports and to promote standardization and quality control by educational, consultancy and research activity.

The Institution is financed by Government grants, and by the income from the sale of its publications and other services offered for Industry and Business Sector. Financial and administrative control is vested in a Council appointed in accordance with the provisions of the Act.

The development and formulation of National Standards is carried out by Technical Experts and representatives of other interest groups, assisted by the permanent officers of the Institution. These Technical Committees are appointed under the purview of the Sectoral Committees which in turn are appointed by the Council. The Sectoral Committees give the final Technical approval for the Draft National Standards prior to the approval by the Council of the SLSI.

All members of the Technical and Sectoral Committees render their services in an honorary capacity. In this process the Institution endeavours to ensure adequate representation of all view points.

In the International field the Institution represents Sri Lanka in the International Organization for Standardization (ISO), and participates in such fields of standardization as are of special interest to Sri Lanka.