

SRI LANKA STANDARD 1256 : PART 20 : SECTION 1 : 2016
ISO 1518 : PART 1 : 2011
UDC 667.6

**METHOD OF TEST FOR
PAINTS AND VARNISHES
PART 20 : DETERMINATION OF SCRATCH
RESISTANCE
SECTION 1 : CONSTANT LOADING METHOD**

SRI LANKA STANDARDS INSTITUTION

Sri Lanka Standard
METHOD OF TEST FOR PAINTS AND VARNISHES
PART 20 : DETERMINATION OF SCRATCH RESISTANCE
SECTION 1 : CONSTANT LOADING METHOD

SLS 1256 : Part 20 : Section 1 : 2016
ISO 1518: Part 1: 2011

Gr. D

Copyright Reserved
SRI LANKA STANDARDS INSTITUTION
17, Victoria Place
Elvitigala Mawatha
Colombo - 08
Sri Lanka

Sri Lanka Standards are subject to periodical revision in order to accommodate the progress made by industry. Suggestions for improvement will be recorded and brought to the notice of the Committees to which the revisions are entrusted.

This standard does not purport to include all the necessary provisions of a contract.

© **SLSI 2016**

All right reserved. Unless otherwise specified, no part of this publication may be reproduced or utilized in any form or by any means, electronic or mechanical, including photocopying and microfilm, without permission in writing from the SLSI.

Sri Lanka Standard
METHOD OF TEST FOR PAINTS AND VARNISHES
PART 20: DETERMINATION OF SCRATCH RESISTANCE
SECTION 1: CONSTANT LOADING METHOD

NATIONAL FOREWORD

This Sri Lanka Standard was approved by the Sectoral Committee on Chemical and Polymer Technology and authorized for adoption and publication as a Sri Lanka Standard by the Council of the Sri Lanka Standards Institution on 2016-10-27.

This Sri Lanka Standard supersedes SLS 1256: Part 20: 2005: Scratch test which was an adoption of ISO 1518: 1992. This International Standard ISO 1518:1992 has been technically revised and replaced by ISO 1518: 2011 Part 1 and Part 2. The text of the revised ISO 1518 : 2011 : Part 1 has been accepted for adoption as **SLS 1256 : Part 20: Section 1: 2016.**

This Sri Lanka Standard SLS 1256:: Part 20: Section 1 is identical with ISO 1518:2011 Paints and varnishes – Determination of scratch resistance part 1: Constant loading method published by the International Organization for Standardization (ISO).

TERMINOLOGY AND CONVENTIONS

The text of the International Standard has been accepted as suitable for publication, without deviation, as a Sri Lanka Standard. However, certain terminology and conventions are not identical with those used in Sri Lanka Standards. Attention is therefore drawn to the following:

- a) Wherever the words “International Standard” appear referring to a particular Standards they should be interpreted as “Sri Lanka Standard”.
- b) The comma has been used throughout as a decimal marker. In Sri Lanka Standards it is the current practice to use the full point at the base as the decimal marker.
- c) Wherever page numbers are quoted, they are ISO page numbers.

The test temperature adopted in Sri Lanka is 27 ± 2 °C and relative humidity 65 ± 5 percent is recommended.

Cross References

International Standard	Corresponding Sri Lanka Standard
ISO 1513, Paints and varnishes – Examination and preparation of test samples	No corresponding Sri Lanka Standard
ISO 1514, Paints and varnishes – Standard panels for testing	No corresponding Sri Lanka Standard
ISO 2808, Paints and varnishes — Determination of film thickness	SLS 1256 : Part 15 Determination of film thickness
ISO 15528, Paints, varnishes and raw materials for paints and varnishes — Sampling	SLS 523 Methods of sampling for paints, varnishes and raw materials for paints and varnishes

.....

**Paints and varnishes — Determination of
scratch resistance —**

Part 1:
Constant-loading method

Peintures et vernis — Détermination de la résistance à la rayure

Partie 1: Méthode à charge constante





COPYRIGHT PROTECTED DOCUMENT

© ISO 2011

All rights reserved. Unless otherwise specified, no part of this publication may be reproduced or utilized in any form or by any means, electronic or mechanical, including photocopying and microfilm, without permission in writing from either ISO at the address below or ISO's member body in the country of the requester.

ISO copyright office
Case postale 56 • CH-1211 Geneva 20
Tel. + 41 22 749 01 11
Fax + 41 22 749 09 47
E-mail copyright@iso.org
Web www.iso.org

Published in Switzerland

Contents

Page

Foreword	iv
1 Scope	1
2 Normative references	1
3 Principle	1
4 Apparatus	2
5 Sampling	2
6 Test panels	4
7 Procedure	4
8 Precision	5
9 Test report	6
Bibliography	7

Foreword

ISO (the International Organization for Standardization) is a worldwide federation of national standards bodies (ISO member bodies). The work of preparing International Standards is normally carried out through ISO technical committees. Each member body interested in a subject for which a technical committee has been established has the right to be represented on that committee. International organizations, governmental and non-governmental, in liaison with ISO, also take part in the work. ISO collaborates closely with the International Electrotechnical Commission (IEC) on all matters of electrotechnical standardization.

International Standards are drafted in accordance with the rules given in the ISO/IEC Directives, Part 2.

The main task of technical committees is to prepare International Standards. Draft International Standards adopted by the technical committees are circulated to the member bodies for voting. Publication as an International Standard requires approval by at least 75 % of the member bodies casting a vote.

Attention is drawn to the possibility that some of the elements of this document may be the subject of patent rights. ISO shall not be held responsible for identifying any or all such patent rights.

ISO 1518-1 was prepared by Technical Committee ISO/TC 35, *Paints and varnishes*, Subcommittee SC 9, *General test methods for paints and varnishes*.

It cancels and replaces ISO 1518:1992, which has been technically revised. The main changes are:

- a) the number of the standard has been changed from ISO 1518 to ISO 1518-1;
- b) a principle clause has been added;
- c) two versions of the test apparatus are now described;
- d) the minimum length of the scratch has been reduced from 60 mm to 40 mm;
- e) the magnification of the lens used to examine the scratch has been specified as at least $\times 4$;
- f) the supplementary test conditions (formerly Annex A) have been integrated in the test report;
- g) a clause on precision has been added;
- h) Annex B specifying a procedure for re-tipping scratch-test needles has been deleted.

ISO 1518 consists of the following parts, under the general title *Paints and varnishes — Determination of scratch resistance*:

— *Part 1: Constant-loading method*

— *Part 2: Variable-loading method*

Paints and varnishes — Determination of scratch resistance —

Part 1: Constant-loading method

1 Scope

This part of ISO 1518 specifies a test method for determining under defined conditions the resistance of a single coating or a multi-coat system of paint, varnish or related product to penetration by scratching with a scratch stylus loaded with a specified load. Penetration of the stylus is to the substrate, except in the case of a multi-coat system, in which case the stylus can penetrate either to the substrate or to an intermediate coat.

The method specified can be carried out

- a) either as a “pass/fail” test, by testing with a single specified load applied to the stylus to assess compliance with a particular specification;
- b) or by applying increasing loads to the stylus to determine the minimum load at which the coating is penetrated.

2 Normative references

The following referenced documents are indispensable for the application of this document. For dated references, only the edition cited applies. For undated references, the latest edition of the referenced document (including any amendments) applies.

ISO 1513, *Paints and varnishes — Examination and preparation of test samples*

ISO 1514, *Paints and varnishes — Standard panels for testing*

ISO 2808, *Paints and varnishes — Determination of film thickness*

ISO 15528, *Paints, varnishes and raw materials for paints and varnishes — Sampling*

3 Principle

A scratch stylus loaded with a specified load is drawn over a coating at a constant speed. The following test parameters are specified:

- the geometry of the stylus tip;
- the range within which the test load may lie and the increments by which it may be increased;
- the procedure by which the stylus is lowered on to the coating;
- the speed at which the stylus travels and the minimum length of the scratch.

The scratch is examined to see if the coating has been penetrated to the extent specified for a single specified test load ("pass/fail" test) or to determine the minimum test load required for penetration.

4 Apparatus

4.1 Scratch apparatus, two versions of which are illustrated in Figure 1 and Figure 2, with the following characteristics:

- The test load acting on the scratch stylus fixed to the load beam can be produced either by a weight attached to the stylus (see Figure 1) or by a weight which slides along a graduated load beam (see Figure 2).
- The test load shall be 1 N to 20 N, shall be adjustable in increments of 0,5 N and shall be accurate to within 0,2 N.
- The test panel held in a panel holder is moved relative to the stylus by means of a linear actuator driven by a motor. The speed at which the stylus travels shall be (35 ± 5) mm/s and the length of the scratch shall be at least 40 mm. The length of the scratch can affect the result.
- A lowering device with a flat ramp brings the stylus smoothly into contact with the coating at the beginning of the movement of the panel holder. The angle of the ramp shall be $(12,5 \pm 2,5)^\circ$.

Some types of apparatus are designed so that the load beam moves and the test panel is fixed. Such types of apparatus may also be used.

4.2 Scratch stylus A, having a hemispherical hard-metal tip of radius $(0,50 \pm 0,01)$ mm.

4.3 Scratch stylus B, having a hemispherical hard-metal tip of radius $(0,25 \pm 0,01)$ mm.

4.4 Scratch stylus C, having a hemispherical synthetic-ruby tip of radius $(0,50 \pm 0,01)$ mm.

4.5 Scratch stylus D, having a hemispherical synthetic-ruby tip of radius $(0,25 \pm 0,01)$ mm.

4.6 Indicating device, based on electrical contact between the stylus and the metallic substrate, to show when the coating has been penetrated.

NOTE 1 This device is not suitable for paints containing electrically conducting pigments, for non-metallic substrates or if penetration to an intermediate non-conducting coat is required.

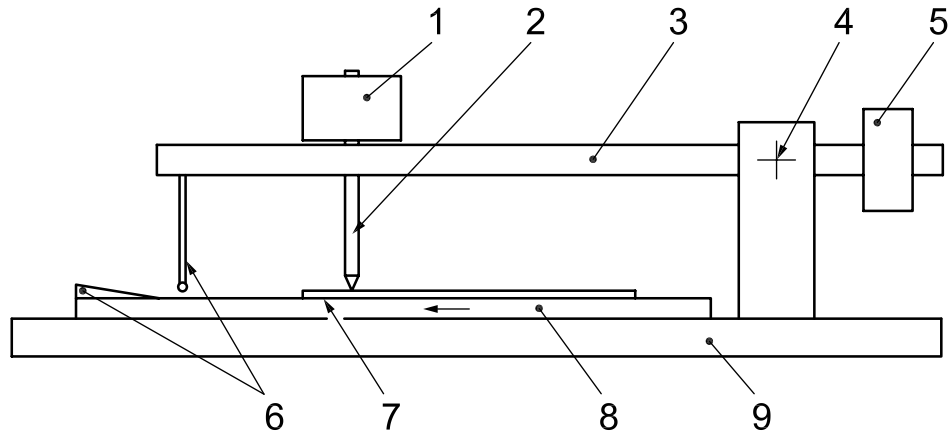
NOTE 2 The indicating device can only be used when certain parts of the scratch apparatus are electrically insulated.

4.7 Magnifying lens, with at least $\times 4$ magnification.

5 Sampling

Take a representative sample of the product to be tested (or of each product in the case of a multi-coat system), as described in ISO 15528.

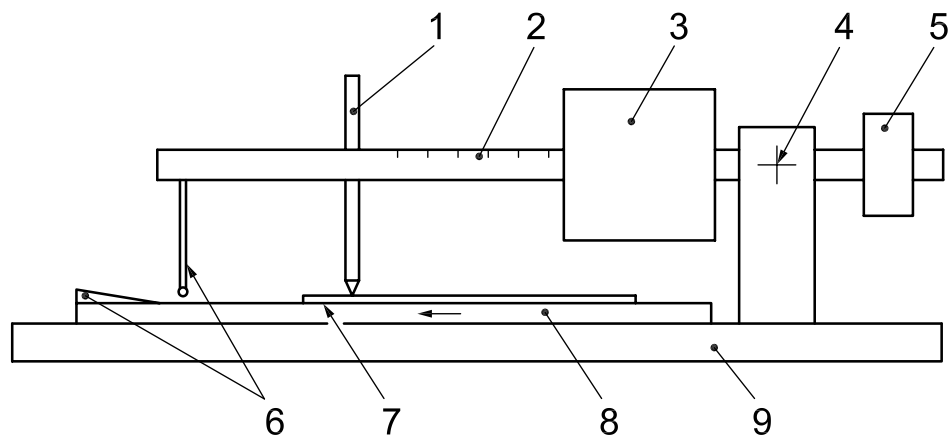
Examine and prepare each sample for testing, as described in ISO 1513.



Key

- 1 weight
- 2 scratch stylus
- 3 load beam
- 4 pivot bearing for load beam
- 5 tare weight
- 6 lowering device (ramp and guide pin)
- 7 test panel
- 8 test panel holder (designed to be driven by a motor to move in the direction of the arrow)
- 9 baseplate

Figure 1 — Scratch apparatus — Version with the weight attached to the stylus



Key

- 1 stylus
- 2 load beam with scale
- 3 sliding weight
- 4 pivot bearing for load beam
- 5 tare weight
- 6 lowering device (ramp and guide pin)
- 7 test panel
- 8 test panel holder (designed to be driven by a motor to move in the direction of the arrow)
- 9 baseplate

Figure 2 — Scratch apparatus — Version with a sliding weight

6 Test panels

6.1 Substrate

The test panels shall be made of steel with a thickness of 0,7 mm to 1,0 mm and shall conform to the requirements of ISO 1514. The panels should preferably have a size of 200 mm × 100 mm.

6.2 Preparation and coating

Prepare each test panel in accordance with ISO 1514 and coat it according to the specified method with the product or system under test.

The method of application of the coating shall be as specified by the manufacturer or agreed between the interested parties and shall be included in the test report [see Clause 9, item c) 2)].

6.3 Drying and conditioning

Dry (or stove) and age, if applicable, each coated test panel for the specified time and under the specified conditions. Before testing, condition the coated panels at a temperature of (23 ± 2) °C and a relative humidity of (50 ± 5) % (i.e. in accordance with ISO 3270) for a minimum period of 16 h. Carry out the test procedure immediately after the removal of the test panels from the conditioning chamber.

The drying (or stoving) and ageing time and conditions shall be as specified by the manufacturer or agreed between interested parties and shall be included in the test report [see Clause 9, item c) 3)].

6.4 Thickness of coating

Determine the thickness, in micrometres, of the dried coating by one of the procedures specified in ISO 2808.

The dry-film thickness shall be as specified by the manufacturer or agreed between the interested parties and shall be included in the test report [see Clause 9, item c) 4)].

7 Procedure

7.1 Test conditions

Carry out the test at (23 ± 2) °C and a relative humidity of (50 ± 5) %.

7.2 General test procedure

7.2.1 Clamp a coated test panel on the panel holder with the coating facing upwards. Position the test panel so that the distance between the scratches to be made will be at least 5 mm and the distance from the scratches to the edge of the test panel will be at least 10 mm.

7.2.2 Fix the scratch stylus in the load beam so that, when in position on the test panel, the stylus will be perpendicular to the panel.

7.2.3 With the stylus unloaded, balance the load beam by means of the tare weight.

7.2.4 Adjust the test load to the required value by placing a weight on the stylus or by moving the sliding weight, depending on the type of apparatus used.

7.2.5 Activate the indicating device, if used, and check that it is functioning correctly.

7.2.6 Start the motor of the apparatus and allow the scratch to be made in the coating. Observe the indicating device during the test, if appropriate, to determine whether electrical contact occurs between the stylus and the substrate.

7.2.7 Remove the panel and immediately examine the scratch, with the aid of the magnifying lens, for penetration to the extent specified.

7.3 Procedure for a single specified load (“pass/fail” test)

Carry out the procedure specified in 7.2 three times on each of two test panels. If the coating has not been penetrated beyond the specified extent in any of the six test runs, report the result as “pass”. If the coating has been penetrated beyond the specified extent in one or more of the six test runs, report the result as “fail”.

7.4 Procedure for determination of the minimum load to cause penetration

Carry out the procedure specified in 7.2, starting at a load which is somewhat less than that expected to cause penetration of the coating. Progressively increase the load on the stylus in suitable increments until the coating is penetrated. Record the minimum load at which the stylus penetrates the coating to the extent specified. Repeat the procedure on a further two panels. Report the lowest result, in newtons, of the three determinations.

8 Precision

In order to determine the precision of the test method, an interlaboratory test was carried out. Four participants tested three different coating systems.

Using the procedure specified in this part of ISO 1518, the minimum load was recorded at which penetration of the stylus to the next layer, as determined by visual examination.

A repeatability limit, r , as defined in ISO 5725-1, could not be determined for this type of destructive test.

The visual inspection of the scratch has a considerable influence on the test result. The visual examination of scratches on “poor” coatings is easy whereas, with scratch-resistant coatings, the onset of scratching is significantly more difficult to observe.

It was agreed by the participants in the interlaboratory test that only the reproducibility limit, (R) (= 30 %), should be stated in this part of ISO 1518 to give an approximate indication of the precision.

9 Test report

The test report shall contain at least the following information:

- a) all details necessary to identify the product tested (manufacturer, product code, batch number, etc.);
- b) a reference to this part of ISO 1518 (ISO 1518-1:2011);
- c) details of the preparation of the test panels, including the following:
 - 1) the material, thickness and surface preparation of the substrate (see 6.1),
 - 2) the method of application of the test coating to the substrate, including the duration and conditions of drying between coats in the case of a multi-coat system (see 6.2),
 - 3) the duration and conditions of drying (or stoving) of the coating, and the conditions of ageing, if applicable, before testing (see 6.3),
 - 4) the thickness, in micrometres, of the dry coating and the method from ISO 2808 used to measure it, and whether the coating is a single coating or a multi-coat system (see 6.4);
- d) the scratch stylus used (A, B, C or D);
- e) the specified load applied to the stylus during the test, if applicable ("pass/fail" test);
- f) the specified depth of penetration of the stylus (penetration to the substrate or to an intermediate coat);
- g) the results of the test:
 - either, for each determination, whether or not the coating was penetrated under the specified conditions ("pass/fail"),
 - or the minimum load at which the stylus penetrated the coating;
- h) any deviation (by agreement or otherwise) from the test method specified;
- i) any unusual features (anomalies) observed during the test;
- j) the date of the test.

Bibliography

- [1] ISO 3270, *Paints and varnishes and their raw materials — Temperatures and humidities for conditioning and testing*
- [2] ISO 5725-1, *Accuracy (trueness and precision) of measurement methods and results — Part 1: General principles and definitions*

SLS CERTIFICATION MARK

The Sri Lanka Standards Institution is the owner of the registered certification mark shown below. Beneath the mark, the number of the Sri Lanka Standard relevant to the product is indicated. This mark may be used only by those who have obtained permits under the SLS certification marks scheme. The presence of this mark on or in relation to a product conveys the assurance that they have been produced to comply with the requirements of the relevant Sri Lanka Standard under a well designed system of quality control inspection and testing operated by the manufacturer and supervised by the SLSI which includes surveillance inspection of the factory, testing of both factory and market samples.

Further particulars of the terms and conditions of the permit may be obtained from the Sri Lanka Standards Institution, 17, Victoria Place, Elvitigala Mawatha, Colombo 08.



SRI LANKA STANDARDS INSTITUTION

The Sri Lanka Standards Institution (SLSI) is the National Standards Organization of Sri Lanka established under the Sri Lanka Standards Institution Act No. 6 of 1984 which repealed and replaced the Bureau of Ceylon Standards Act No. 38 of 1964. The Institution functions under the Ministry of Science, Technology and Research.

The Principal objects of the Institution as set out in the Act are to prepare standards and promote their adoption, to provide facilities for examination and testing of products, to operate a Certification Marks Scheme, to certify the quality of products meant for local consumption or exports and to promote Standardization and quality control by educational, consultancy and research and research activity.

The Institution is financed by Government grants, and by the income from the sale of its publications and other services offered for Industry and Business Sector. Financial and Administrative control is vested in a Council appointed in accordance with the provisions of the Act.

The development and formulation of National Standards is carried out by Technical Experts and representatives of other interest groups, assisted by the permanent officers of the Institution. These Technical Committees are appointed under the purview of the Sectoral Committees which in return are appointed by the Council. The Sectoral Committees give the final Technical approval for the Draft National Standards prior to the approval by the Council of the SLSI.

All members of the Technical and Sectoral Committees render their services in an honorary capacity. In this process the Institution Endeavours to ensure adequate representation of all view points.

In the International field the Institution represents Sri Lanka in the International Organization for Standardization (ISO), and participates in such fields of Standardization as are of special interest to Sri Lanka.