

SRI LANKA STANDARD 1243 PART 3: 2021
(ISO 12945-3:2020)
UDC 677

**METHOD FOR DETERMINATION OF FABRIC
PROPENSITY TO SURFACE PILLING, FUZZING OR
MATting –
PART 3 - RANDOM TUMBLE PILLING METHOD**
(First Revision)

SRI LANKA STANDARDS INSTITUTION

Sri Lanka Standard
METHOD FOR DETERMINATION OF FABRIC PROPENSITY TO SURFACE
PILLING, FUZZING OR MATTING –
PART 3 - RANDOM TUMBLE PILLING METHOD
(First Revision)

SLS 1243 PART 3: 2021
(ISO 12945-3:2020)

Gr. F

Copyright Reserved
SRI LANKA STANDARDS INSTITUTION
17, Victoria Place
Elvitigala Mawatha
Colombo - 08
Sri Lanka.

Sri Lanka Standards are subject to periodical revision in order to accommodate the progress made by industry. Suggestions for improvement will be recorded and brought to the notice of the Committees to which the revisions are entrusted.

This Standard does not purport to include all the necessary provisions of a contract

© ISO 2020- All right reserved.

© SLSI 2021

All right reserved. Unless otherwise specified, no part of this publication may be reproduced or utilized in any form or by any means, electronic or mechanical, including photocopying and microfilm, without permission in writing from the SLSI

Sri Lanka Standard
METHOD FOR DETERMINATION OF FABRIC PROPENSITY TO SURFACE
PILLING, FUZZING OR MATTING –
PART 3 - RANDOM TUMBLE PILLING METHOD
(First Revision)

NATIONAL FOREWORD

This Sri Lanka Standard was approved by the Sectoral Committee on Textiles and Garment, and was authorized for adoption and publication as a Sri Lanka Standard by the Council of the Sri Lanka Standards Institution on 2021-12-22.

This is the first revision of **SLS 1243 – 3: 2015**, Method for determination of fabric propensity to surface fuzzing and to pilling - Part 3- random tumble pilling, which is the direct adoption of **ISO 12945 – 3: 2014**.

In 2020, **ISO 12945 - 3** has been revised for the first time with some important technical changes. The main change compared to the previous edition is, the assessment of pilling, fuzzing and matting is carried out according to the newly introduced part 4 of the same series. Therefore, the corresponding national Standard is found as necessary to be revised accordingly.

TERMINOLOGY AND CONVENTIONS

The text of the International Standard has been accepted as suitable for publication without deviation, as a Sri Lanka Standard. However certain terminology and conventions are not identical with those used in Sri Lanka Standards. Attention is therefore drawn to the following:

- a) Wherever the words “International Standard” appear referring to this standard they should be interpreted as “Sri Lanka Standard”.
- b) The comma has been used throughout as a decimal marker. In Sri Lanka Standards it is the current practice to use a full point on the baseline as the decimal marker.
- c) Whenever page numbers are quoted, they are ISO page numbers.

CROSS REFERENCES

International Standard

Corresponding Sri Lanka Standard

ISO 48-2, Rubber, vulcanized or thermoplastic — Determination of hardness — Part 2: Hardness between 10 IRHD and 100 IRHD

SLS 297, Method of testing vulcanized rubber - Determination of hardness - Section 2 - Hardness between 10 IRHD and 100 IRHD

ISO 139, Textiles — Standard atmospheres for conditioning and testing

SLS 16, Standard atmospheres for conditioning and testing of textiles

ISO 12945-4, Textiles — Determination of fabric propensity to surface pilling, fuzzing or matting — Part 4: Assessment of pilling, fuzzing and matting by visual analysis

SLS 1243-4, Method for determination of fabric propensity to surface pilling, fuzzing or matting — Part 4: Assessment of pilling, fuzzing and matting by visual analysis

.....

INTERNATIONAL
STANDARD

ISO
12945-3

Second edition
2020-10

**Textiles — Determination of fabric
propensity to surface pilling, fuzzing
or matting —**

Part 3:
Random tumble pilling method

*Textiles — Détermination de la propension des étoffes au boulochage,
à l'ébouriffage ou au moutonnement en surface —*

*Partie 3: Méthode d'essai de boulochage par chocs aléatoires dans
une chambre cylindrique*



Reference number
ISO 12945-3:2020(E)

© ISO 2020



COPYRIGHT PROTECTED DOCUMENT

© ISO 2020

All rights reserved. Unless otherwise specified, or required in the context of its implementation, no part of this publication may be reproduced or utilized otherwise in any form or by any means, electronic or mechanical, including photocopying, or posting on the internet or an intranet, without prior written permission. Permission can be requested from either ISO at the address below or ISO's member body in the country of the requester.

ISO copyright office
CP 401 • Ch. de Blandonnet 8
CH-1214 Vernier, Geneva
Phone: +41 22 749 01 11
Email: copyright@iso.org
Website: www.iso.org

Published in Switzerland

Contents

Page

Foreword	iv
Introduction	v
1 Scope	1
2 Normative references	1
3 Terms and definitions	1
4 Principle	2
5 Apparatus and auxiliary materials	2
5.1 Apparatus.....	2
5.2 Auxiliary materials.....	3
6 Preparation of test specimens	5
6.1 Pretreatment of the laboratory sample.....	5
6.2 Sampling of test specimens.....	5
6.3 Fixation of test specimen edges.....	5
6.4 Number of test specimens and marking.....	5
7 Preparation of polychloroprene liners	5
8 Conditioning and testing atmosphere	6
9 Procedure	6
10 Assessment of pilling, fuzzing and matting	6
11 Results	6
12 Test report	7
Annex A (normative) Checking of apparatus and preparation of liners	8
Annex B (informative) Alternative procedure	9
Annex C (informative) Rationale	10
Bibliography	12

Foreword

ISO (the International Organization for Standardization) is a worldwide federation of national standards bodies (ISO member bodies). The work of preparing International Standards is normally carried out through ISO technical committees. Each member body interested in a subject for which a technical committee has been established has the right to be represented on that committee. International organizations, governmental and non-governmental, in liaison with ISO, also take part in the work. ISO collaborates closely with the International Electrotechnical Commission (IEC) on all matters of electrotechnical standardization.

The procedures used to develop this document and those intended for its further maintenance are described in the ISO/IEC Directives, Part 1. In particular, the different approval criteria needed for the different types of ISO documents should be noted. This document was drafted in accordance with the editorial rules of the ISO/IEC Directives, Part 2 (see www.iso.org/directives).

Attention is drawn to the possibility that some of the elements of this document may be the subject of patent rights. ISO shall not be held responsible for identifying any or all such patent rights. Details of any patent rights identified during the development of the document will be in the Introduction and/or on the ISO list of patent declarations received (see www.iso.org/patents).

Any trade name used in this document is information given for the convenience of users and does not constitute an endorsement.

For an explanation of the voluntary nature of standards, the meaning of ISO specific terms and expressions related to conformity assessment, as well as information about ISO's adherence to the World Trade Organization (WTO) principles in the Technical Barriers to Trade (TBT), see www.iso.org/iso/foreword.html.

This document was prepared by Technical Committee ISO/TC 38, *Textiles*, Subcommittee SC 24, *Conditioning atmospheres and physical tests for textile fabrics*, in collaboration with the European Committee for Standardization (CEN) Technical Committee CEN/TC 248, *Textiles and textile products*, in accordance with the Agreement on technical cooperation between ISO and CEN (Vienna Agreement).

This second edition cancels and replaces the first edition (ISO 12945-3:2000), which has been technically revised.

The main changes compared to the previous edition are as follows:

- in [Clause 10](#), visual assessment of pilling, fuzzing, and matting have been carried out according to ISO 12945-4.

A list of all parts in the ISO 12945 series can be found on the ISO website.

Any feedback or questions on this document should be directed to the user's national standards body. A complete listing of these bodies can be found at www.iso.org/members.html.

Introduction

Pills are formed when fibres on a fabric surface “tease out” and become entangled during wear. Such surface deterioration is generally undesirable, but the degree of consumer tolerance for a given level of pilling will depend on the garment type and fabric end use.

Generally, the level of pilling which develops is determined by the rates of the following parallel processes:

- a) fibre entanglement leading to pill formation;
- b) development of more surface fibre;
- c) fibre and pill wear-off.

The rates of these processes depend on the fibre, yarn and fabric properties. Examples of extreme situations are found in fabrics containing strong fibres versus fabric containing weak fibres. A consequence of the strong fibre is a rate of pill formation that exceeds the rate of wear-off. This results in an increase of pilling with an increase of wear. With a weak fibre the rate of pill formation competes with the rate of wear-off. This would result in a fluctuation of pilling with an increase of wear. There are other constructions that the surface fibre wear-off occurs before pill formation. Each of these examples demonstrates the complexity of evaluating the surface change on different types of fabric.

The ideal laboratory test would accelerate the wear processes a), b), and c) by exactly the same factor and would be universally applicable to all fibre, yarn, and fabric types. No such test has been developed. However, a test procedure has been established in which fabrics can be ranked in the same order of pilling, fuzzing, and matting propensity as is likely to occur in end use wear.

Particular attention is drawn to [Annex A](#) which gives advice on the maintenance and checking of the apparatus and liners. It is recommended that [Annex A](#) be studied prior to carrying out the procedure.

[Annex C](#) gives rationale especially regarding the testing of napped fabrics.

Textiles — Determination of fabric propensity to surface pilling, fuzzing or matting —

Part 3: Random tumble pilling method

1 Scope

This document specifies a method for the determination of the resistance to pilling, fuzzing, and matting of textile fabrics using the random tumble pilling tester. This method is applicable to most of woven and knitted fabrics, including napped fabrics (fleeces, inlay fabrics).

This method is not applicable to fabrics which cannot tumble freely.

2 Normative references

The following documents are referred to in the text in such a way that some or all of their content constitutes requirements of this document. For dated references, only the edition cited applies. For undated references, the latest edition of the referenced document (including any amendments) applies.

ISO 48-2, *Rubber, vulcanized or thermoplastic — Determination of hardness — Part 2: Hardness between 10 IRHD and 100 IRHD*

ISO 139, *Textiles — Standard atmospheres for conditioning and testing*

ISO 12945-4, *Textiles — Determination of fabric propensity to surface pilling, fuzzing or matting — Part 4: Assessment of pilling, fuzzing and matting by visual analysis*

3 Terms and definitions

For the purposes of this document, the following terms and definitions apply.

ISO and IEC maintain terminological databases for use in standardization at the following addresses:

- ISO Online browsing platform: available at <https://www.iso.org/obp>
- IEC Electropedia: available at <http://www.electropedia.org/>

3.1

pill

entangling of fibres into balls (pills) which stand proud of the fabric and are of such density that light will not penetrate and will cast a shadow

Note 1 to entry: This change can occur during washing, dry cleaning, and/or wearing.

[SOURCE: ISO 12945-4:2020, 3.1]

3.2

pilling

generation of *pills* (3.1) over the surface of the fabric

[SOURCE: ISO 12945-4:2020, 3.2]

3.3 fuzzing

roughing up of the surface fibres and/or teasing out of the fibres from the fabric, which produces a visible surface change

Note 1 to entry: This change can occur during washing, dry cleaning, and/or wearing.

[SOURCE: ISO 12945-4:2020, 3.3]

3.4 matting

disorientation of the raised fibres from a napped fabric, which produces a visible surface change

Note 1 to entry: This change can occur during washing, dry cleaning, and/or wearing.

[SOURCE: ISO 12945-4:2020, 3.4]

3.5 jamming wedging entanglement

event when test specimens either become entangled on the impeller or lie on the side of the cylinder wall resulting in the fabric not tumbling in the required random action

4 Principle

Test specimens are tumbled randomly, under defined conditions, in a lined cylindrical test chamber. Pilling, fuzzing, and matting are assessed visually after a defined period of tumbling.

5 Apparatus and auxiliary materials

5.1 Apparatus

The apparatus shall include:

5.1.1 Device, consisting of one or several cylindrical test chambers, horizontally positioned, with the inside dimensions of $(152,4 \pm 1,0)$ mm in depth and $(146,0 \pm 1,0)$ mm in diameter. In the centre of each chamber is a horizontal shaft with cross rods (impellers) which rotate at $1\,200\text{ min}^{-1}$ (see [Figure 1](#) – The tolerance on all dimensions is $\pm 0,5$ mm unless otherwise stated). This device shall have a mean capable of sustaining a steady movement of the test specimens (thus, avoiding jamming during the test); this functionality can be set by either an air jet (which can blow onto the cylinder wall) or plastic blades (placed on the shaft, see [Figure 1](#), which can move physically jammed test specimens from the cylinder wall).

The use of either air jet device or plastic blades shall be reported.

5.1.2 Lining material, polychloroprene liner. The polychloroprene liner shall conform to the following criteria as described in [Table 1](#). Length and width of the polychloroprene liner shall be such that it fits securely in the test chamber without gaps or bulging.

Table 1 — Criteria for polychloroprene liner

Criteria	Units	Polychloroprene liner
Thickness	mm	$3,2 \pm 0,4$
Hardness	IRHD ^a	60 to 70

^a IRHD is an abbreviation for international rubber hardness degree and shall be checked according to ISO 48-2 (method N, i.e. normal test).

5.2 Auxiliary materials

5.2.1 Glue, a white water-based all-purpose glue, for sealing the edges of the test specimens.

NOTE Generally, this kind of glue is an emulsion of polyvinyl acetate.

5.2.2 Device for cutting, test specimens square or round to provide a test area $(100 \pm 2) \text{ cm}^2$.

NOTE Studies have shown that the shape of the test specimens does not influence the test results.

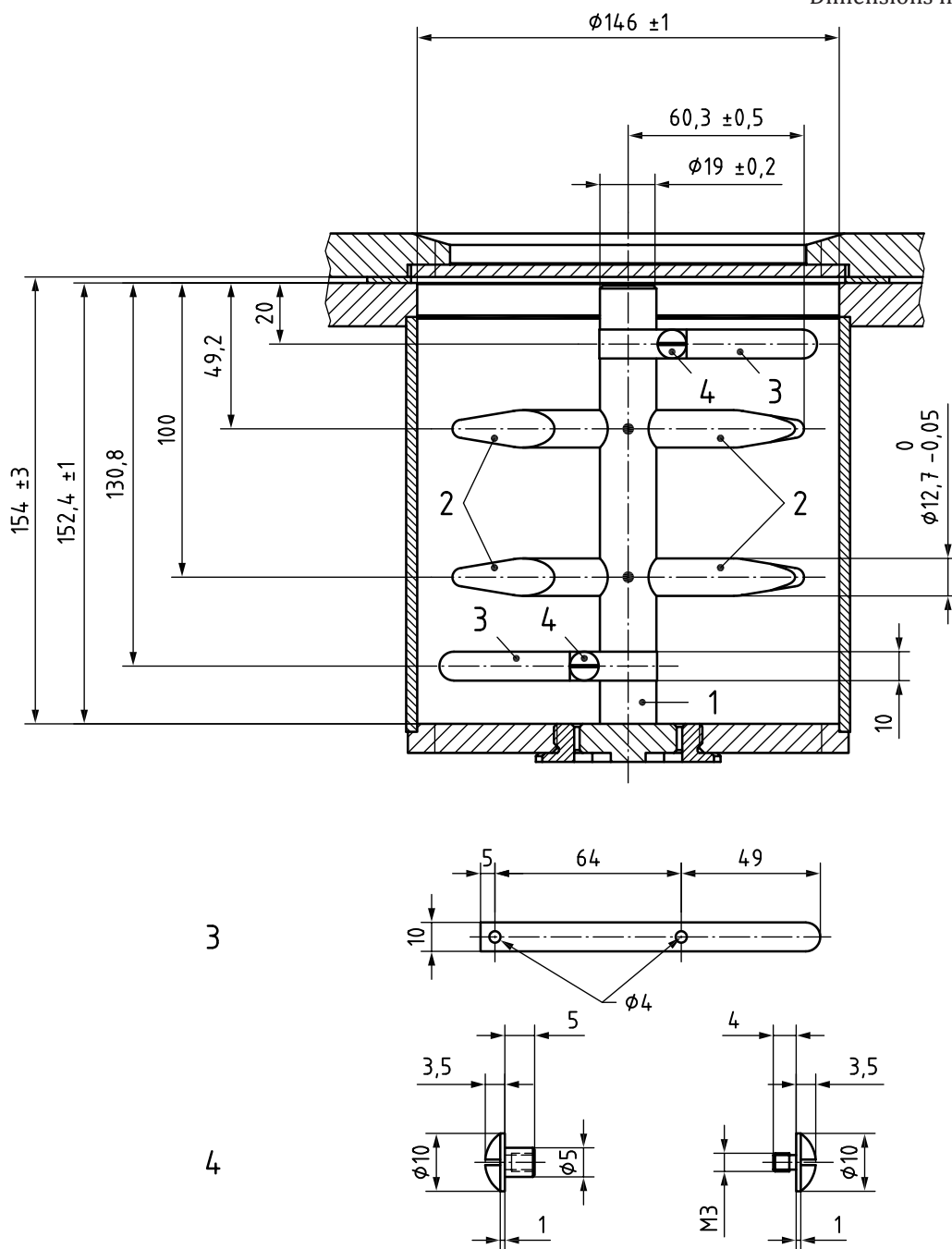
5.2.3 Rating standards (optional), a set of five photographs numbered 1 to 5 illustrating varying degrees of pilling. The photographs shall be the same size as the test specimens.

5.2.4 Cork liner (optional), if agreed upon between the interested parties, cork liner can be used instead of the polychloroprene liner (see [5.1.2](#)).

NOTE The replacement of the polychloroprene liner by the cork liner leads to increase the testing time to two times as specified in [9.4](#).

5.2.5 Cotton linters (optional), if agreed upon between the interested parties, cotton linters can be used to highlight the possible occurrence of pills.

Dimensions in millimetres



Key

- 1 axis of the impeller
- 2 cross rods
- 3 plastic blades (optional) and as component in the middle view
- 4 cap screws and as component in the bottom view

Figure 1 — View of the testing chamber and its components

6 Preparation of test specimens

6.1 Pretreatment of the laboratory sample

Laboratory samples may be pretreated by washing or dry-cleaning before cutting the test specimens, using conditions appropriate for the fabric end use or conditions agreed upon between the interested parties. When pretreated, the evaluation of the tested specimen from the pretreated laboratory sample is done in comparison with that laboratory sample.

If there is no specific pretreatment agreed upon between the interested parties, the test specimen is tested as received.

Regardless of the pretreatment, samples shall be conditioned according to [Clause 8](#) prior to testing.

NOTE The procedures of the pretreatment described in ISO 6330 or in the respective part of ISO 3175 can be suitable (see Bibliography).

Test specimens should be laundered or dry-cleaned in order to protect the friction surfaces of the polychloroprene liner and cross rods from lubricants or finishes which might cause inconsistent results.

6.2 Sampling of test specimens

Take specimens from areas evenly spaced across the width of the fabric or from three different panels of a garment. Stagger specimens in such a manner that no two specimens contain the same yarns. Avoid areas with wrinkles and other distortions. Unless otherwise specified, do not cut specimens nearer to the selvedge than one-tenth the width of the fabric.

Handle the specimen by applying minimal tension to avoid stretching.

Cut test specimens in squares $(105 \pm 1) \text{ mm} \times (105 \pm 1) \text{ mm}$ on the bias at an approximate $0,78 \text{ rad}$ (45°) angle to the warp (wale) and weft (course) directions. Circles 100 cm^2 can be used as an alternative if agreed upon between the interested parties.

6.3 Fixation of test specimen edges

In order to prevent fraying or de-knitting, apply a strip of glue ([5.2.1](#)) to the edge of the test specimen not exceeding 3 mm in width when dried. Hang the test specimens in order to allow the glue to dry completely before testing (at least for 2 h).

6.4 Number of test specimens and marking

Prepare four test specimens: three test specimens for testing (and mark each of them with a number, from 1 to 3) and a fourth to serve as an untreated reference test specimen for assessment. This fourth need not have the edges secured.

For the alternative method as described in [Annex B](#), six test specimens shall be prepared: five for testing and one for the assessment.

7 Preparation of polychloroprene liners

Both side of a polychloroprene liner can be used to carry out a test. After completion of the two testing, the polychloroprene liner shall be removed, and then cleaned and dried according to the procedure described in [A.2.1](#).

A new polychloroprene liner shall be run-in according to the procedure described in [A.2.2](#).

The polychloroprene liner shall be discarded as soon as its use leads to significant differences in results (one or more than one grade) when testing an in-house standard reference fabric of known pilling, fuzzing, or matting resistance.

8 Conditioning and testing atmosphere

The standard atmosphere for conditioning and testing textiles as defined in ISO 139 shall be used.

The test specimens should be conditioned for at least 16 h prior to testing.

9 Procedure

9.1 Condition the test specimens and polychloroprene liners as specified in [Clause 8](#). Conduct all tests in the standard atmosphere for testing. Check the apparatus according to [A.1](#).

9.2 Place the polychloroprene liner securely and smoothly inside the chamber, so that the polychloroprene liner shall not rotate against the drum when in use.

9.3 Conduct individual test runs using three test specimens from the same laboratory sample together in one test chamber.

9.4 Place the three prepared test specimens into the test chamber. Close the chamber door. Start the apparatus and run for the following total testing time (continue test time after each interval so that the total testing time is reached at each interval):

- step 1: total testing time: 5 min;
- step 2: total testing time: 15 min (10 min to be set up after the step 1);
- step 3: total testing time: 30 min (15 min to be set up after the step 2).

If total testing time of 45 min or 60 min is required, this should be mentioned in the test report.

Ensure that no hang ups occur around the impeller during a test run.

9.5 At each inspection interval, remove each test specimen from the chamber, firmly grasp the test specimen and clean off any excess fibre that is not actually entangled in pills using an air jet blowing tangentially onto the surface.

9.6 Evaluate the test specimens subjectively as described in [Clause 10](#).

9.7 Repeat [9.4](#) to [9.6](#) until the predetermined total testing time is completed.

9.8 Clean and dry the polychloroprene liners according to [A.2.1](#).

10 Assessment of pilling, fuzzing and matting

The visual assessment of pilling, fuzzing and matting, respectively, shall be carried out according to ISO 12945-4.

If agreed between interested parties, the assessment may be additionally carried out according to instrumental assessment.

11 Results

For each surface appearance (i.e. pilling, fuzzing, and matting), record the grade for each test specimen.

Calculate the mean result for all tested specimens for each surface appearance separately: for pilling, for fuzzing and for matting as described in [Clause 10](#). If the mean result is not a whole number, round the result to the nearest half grade. The variation in the result based on the mean of three test specimens

should be no more than half a grade. If this variation is more than half a grade, the grading of each test specimen shall be reported.

Table 1 shows an example of presentation of the results.

Table 1 — Example of a table with results at each assessment stage

testing time	Pilling				Fuzzing				Matting			
	result 1	result 2	result 3	average	result 1	result 2	result 3	Average	result 1	result 2	result 3	average
5 min	Grade	Grade	Grade	Grade	Grade	Grade	Grade	Grade	Grade	Grade	Grade	Grade
15 min	Grade	Grade	Grade	Grade	Grade	Grade	Grade	Grade	Grade	Grade	Grade	Grade
30 min	Grade	Grade	Grade	Grade	Grade	Grade	Grade	Grade	Grade	Grade	Grade	Grade

12 Test report

The test report shall include at least the following information:

- a) a reference to this document, i.e. ISO 12945-3:2020;
- b) description of the laboratory sample;
- c) where applicable, method of pretreatment of the laboratory sample;
- d) whether test specimens were square or round;
- e) test time carried out;
- f) when relevant, individual test specimen pilling grades, fuzzing grades and matting grades (according to ISO 12945-4), at each total testing time (i.e. at 5 min, 15 min, and 30 min);
- g) other observation of surface changes or fabric behaviour (e.g. curl);
- h) the rounded mean grade assessed in relation to the type of the surface change(s) - i.e. pilling, fuzzing and matting respectively - (to the nearest half grade) –according to ISO 12945-4 –, at each total testing time (i.e. at 5 min, 15 min, and 30 min);
- i) date of test;
- j) type of used lining (polychloroprene or cork liner);
- k) if air injection or plastic blades were used, this should be stated;
- l) whether cotton linters are used
- m) details of any deviation from the given procedure;
- n) any unusual features observed.

Annex A (normative)

Checking of apparatus and preparation of liners

A.1 Checking of apparatus

A.1.1 Checking of test apparatus can be done in-house or by the service department of the equipment supplier. Check timer, tension of belt transmission, rotor revolutions. In case of the chamber with air injection, check the air pressure.

A.1.2 For checking of the function of the apparatus, use an in-house standard reference fabric of known pilling resistance. Apply test requirements to be used for this test.

A.1.3 The frequency of checking the apparatus depends on the frequency of use. If used daily, check monthly. If used infrequently, check before the start of a new test series.

A.2 Preparation of liners

A.2.1 Cleaning and drying of polychloroprene liners

Prepare the cleaning paste, by mixing IEC reference detergent A (non-phosphate detergent with optical brightener and with enzymes, described as "reference detergent 2" in ISO 6330) with lukewarm water at 70:100 to 80:100 by weight (ratio: water/detergent).

Brush polychloroprene liners carefully with a polyamide hairbrush and with the cleaning paste and lukewarm water.

Rinse thoroughly with water.

Repeat this procedure three times for new polychloroprene liners before the running-in procedure according to [A.2.2](#).

After running-in or after use for testing of each side of the polychloroprene liner, perform this operation of cleaning and drying once before reusing the polychloroprene liner.

Let polychloroprene liners dry in ambient atmosphere and condition in the standard atmosphere for testing.

A.2.2 Running-in of new polychloroprene liners

Perform a blank test with three test specimens of the standard reference in-house fabric, preferably a desized and scoured or bleached cotton twill fabric (a mass per unit area of 150 g/m² has been found suitable). The test should be run for 3 h without interruption. At the end of the test, clean and dry the polychloroprene liners once according to [A.2.1](#).

Annex B (informative)

Alternative procedure

B.1 Principle

The procedure described in [Clause 9](#) leads to run the testing always with the same three test specimens and leads to take out the three test specimens to assess them and place them again in the testing chamber and run again. In order to optimize the testing time, the alternative procedure is intended to replace one tested test specimen by a new one at each stage.

B.2 Number of test specimens and marking

Prepare six test specimens, five test specimens for testing (and mark each of them with numbers, from 1 to 5) and a sixth to serve as an untreated reference test specimen for assessment. This sixth does not need having the edges secured.

B.3 Alternative procedure

Proceed as described in [Clause 9](#) but placing the following test specimens according to the [Table B.1](#).

Table B.1 — Alternative procedure

Stages	Total testing time (min)	Number of the test specimens
1st step	5	1, 2, and 3
2nd step	15	2, 3, and 4 (1 is out and 4 is in)
3rd step	30	3, 4, and 5 (2 is out and 5 is in)

Assess the five test specimens according to [Clause 10](#), but no mean calculation is required.

The subsequent assessments represent the evolution of the pilling/fuzzing/matting in relation to the duration of the testing time, as summarized in [Table B.2](#).

Table B.2 — Duration of the testing time

Number of the test specimen	Duration of the testing time (min)
1	5
2	15
3	30
4	25
5	15

Annex C (informative)

Rationale

The methods based on respectively the use of “pilling box” (see ISO 12945-1) and “RTPT” (this document) are more appropriate for testing knitted fabrics. In these cases, the change of the surface appearance is obtained by random checks of the test specimens against mild abrasive surfaces (cork liner or polychloroprene liner).

Especially, the “RTPT” method is more appropriate for heavy gauge knitwear like pullovers, as well as napped fabric, as it better reflects what can occur during the wear than the pilling box (see ISO 12945-1).

Moreover, napped fabric (fleece) products cannot be graded according to the grading table related to pilling because the surface appearance after testing is something different from pilling (sometimes called “sheep like” or matting) and therefore requires a specific scale of grading (see [Figures C.1](#) to [C.2](#)), as described in ISO 12945-4.

In comparison with ISO 12945-1 and ISO 12945-2, the method, as described in this document, gives the possibility to show the evolution of the surface appearance in relation to the duration (after 5 min, 15 min, and 30 min).

On another hand, the method based on “modified Martindale” (see ISO 12945-2) is more appropriate for testing woven fabrics. In this case, the change of the surface appearance is obtained by systematic rubbing of the test specimens against another fabric surface (made of the same fabric of the test specimens or made of reference abrasive fabric).

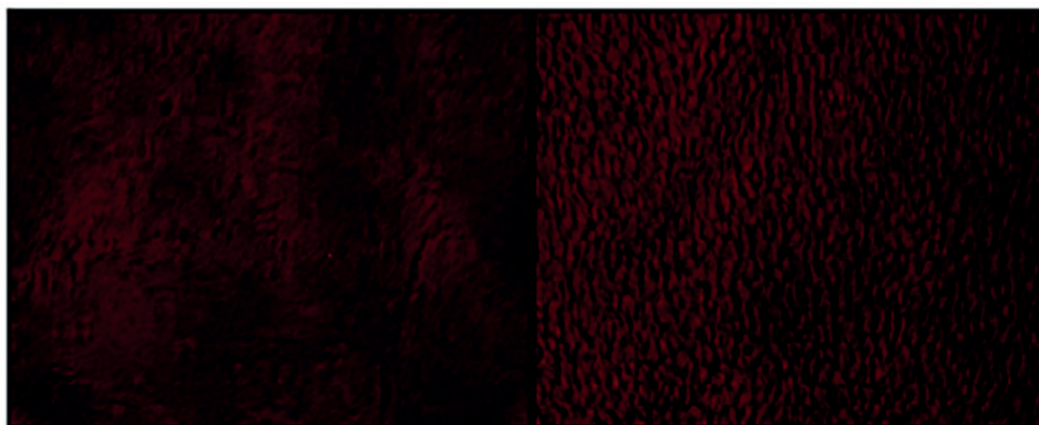
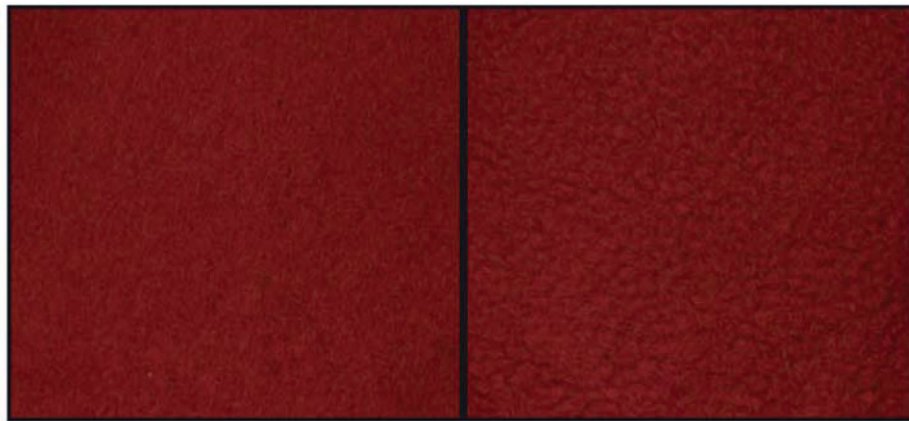


Figure C.1 — Example of matting appearance of napped fabric (front side): original (left) versus matting appearance (right)



**Figure C.2 — Example of matting appearance of napped fabric (back side):
original (left) versus matting appearance(right)**

Bibliography

- [1] ISO 3175-1, *Textiles — Professional care, drycleaning and wetcleaning of fabrics and garments — Part 1: Assessment of performance after cleaning and finishing*
- [2] ISO 3175-2, *Textiles — Professional care, drycleaning and wetcleaning of fabrics and garments — Part 2: Procedure for testing performance when cleaning and finishing using tetrachloroethene*
- [3] ISO 3175-3, *Textiles — Professional care, drycleaning and wetcleaning of fabrics and garments — Part 3: Procedure for testing performance when cleaning and finishing using hydrocarbon solvents*
- [4] ISO 3175-4, *Textiles — Professional care, drycleaning and wetcleaning of fabrics and garments — Part 4: Procedure for testing performance when cleaning and finishing using simulated wetcleaning*
- [5] ISO 6330, *Textiles — Domestic washing and drying procedures for textile testing*
- [6] ISO 12945-1, *Textiles — Determination of fabric propensity to surface pilling, fuzzing or matting — Part 1: Pilling box method*
- [7] ISO 12945-2, *Textiles — Determination of fabric propensity to surface pilling, fuzzing or matting — Part 2: Modified Martindale method*
- [8] SFS 3378, *Textiles. Determination of pilling resistance of fabrics*
- [9] NF G 07-121, *Textiles — Testing of fabrics — Determination of resistance to pilling of woven and knitted fabrics*
- [10] JIS L1076, *Testing methods for pilling of woven fabrics and knitted fabrics*
- [11] ASTM D3512, *Standard Test Method for Pilling Resistance and Other Related Surface Changes of Textile Fabrics: Random Tumble Pilling Tester*

SLS CERTIFICATION MARK

The Sri Lanka Standards Institution is the owner of the registered certification mark shown below. Beneath the mark, the number of the Sri Lanka Standard relevant to the product is indicated. This mark may be used only by those who have obtained permits under the SLS certification marks scheme. The presence of this mark on or in relation to a product conveys the assurance that they have been produced to comply with the requirements of the relevant Sri Lanka Standard under a well designed system of quality control inspection and testing operated by the manufacturer and supervised by the SLSI which includes surveillance inspection of the factory, testing of both factory and market samples.

Further particulars of the terms and conditions of the permit may be obtained from the Sri Lanka Standards Institution, 17, Victoria Place, Elvitigala Mawatha, Colombo 08.



SRI LANKA STANDARDS INSTITUTION

The Sri Lanka Standards Institution (SLSI) is the National Standards Organization of Sri Lanka established under the Sri Lanka Standards Institution Act No. 6 of 1984 which repealed and replaced the Bureau of Ceylon Standards Act No. 38 of 1964. The Institution functions under the Ministry of Technology.

The principal objects of the Institution as set out in the Act are to prepare standards and promote their adoption, to provide facilities for examination and testing of products, to operate a Certification Marks Scheme, to certify the quality of products meant for local consumption or exports and to promote standardization and quality control by educational, consultancy and research activity.

The Institution is financed by Government grants, and by the income from the sale of its publications and other services offered for Industry and Business Sector. Financial and administrative control is vested in a Council appointed in accordance with the provisions of the Act.

The development and formulation of National Standards is carried out by Technical Experts and representatives of other interest groups, assisted by the permanent officers of the Institution. These Technical Committees are appointed under the purview of the Sectoral Committees which in turn are appointed by the Council. The Sectoral Committees give the final Technical approval for the Draft National Standards prior to the approval by the Council of the SLSI.

All members of the Technical and Sectoral Committees render their services in an honorary capacity. In this process the Institution endeavours to ensure adequate representation of all view points.

In the International field the Institution represents Sri Lanka in the International Organization for Standardization (ISO), and participates in such fields of standardization as are of special interest to Sri Lanka.